

ENG. NO SEE TABLE

EDP NO.

SIMILAR ITEM

CAD FILE NO. S6728502.S01

DO NOT SCALE DRAWING

NOTES :

1. MATERIAL :

HOUSING : POLYESTER , UL94-V0 , COLOR:(a) BLACK (b) WHITE
 TERMINAL : PHOSPHOR BRONZE
 METAL SHELL : COPPER ALLOY

2. PLATING :

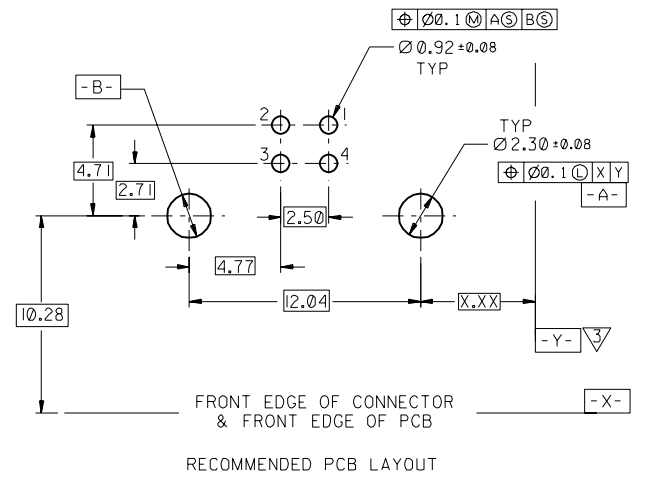
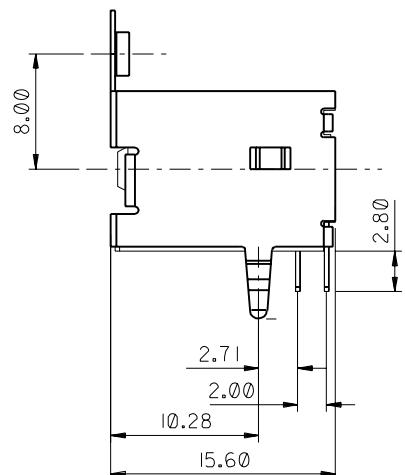
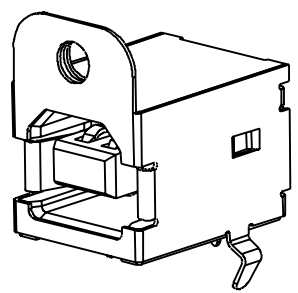
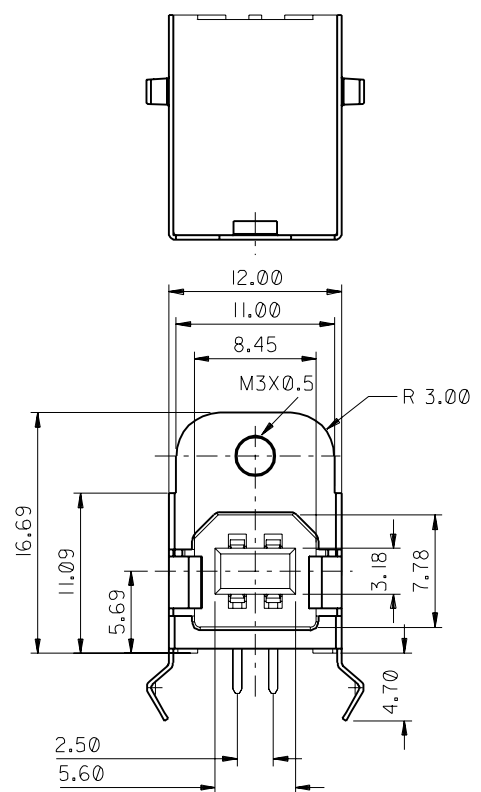
TERMINAL :

CONTACT AREA : (a) GOLD FLASH.
 (b) GLOD (Au), THICKNESS = 30 MICROINCH/0.76 MICROMETER
 SOLDER TAIL : TIN-LEAD (Sn-Pb) ALLOY,
 THICKNESS= 150 MICROINCH /3.8 MICROMETER
 UNDER PLATE : NICKEL (Ni), THICKNESS= 50 MICROINCH/1.27 MICROMETER
 METAL SHELL :

TIN-LEAD (Sn-Pb) ALLOY , THICKNESS= 100 MICROINCH/2.54 MICROMETER
 UNDER PLATE : NICKEL (Ni) , THICKNESS= 50 MICROINCH/1.27 MICROMETER

3 DATUM AND BASIC DIMENSIONS ESTABLISHED BY CUSTOMER
 RECOMMENDED PCB THICKNESS : 1.60±0.05

4 PRODUCT SPECIFICATION : REFER TO PS-67998-0000
 5 THE SCREW LOCK TORQUE IS 1.2 kgf-cm MINIMUM



PART NUMBER LEGEND:

P/N	COLOR	CONTACT PLATING
67285-0000	BLACK	GOLD FLASH
67285-0001	BLACK	0.76 MICROMETER/30 MICROINCH GOLD
67285-1000	WHITE	GOLD FLASH
67285-1001	WHITE	0.76 MICROMETER/30 MICROINCH GOLD

ADD NOTES 5 EC NO. T2001-0115 DRWN: RICHARD HO 010129 CHK: VINCENT APPR: MEGA LIN	REMOVE THE DIMENSION EC NO. T1999-0310 DRWN: SAM SHIN 990603 CHK: VINCENT 990603 APPR: MEGA LIN 990603	QUALITY SYMBOLS MAJOR CRITICAL	GENERAL TOLERANCES: (UNLESS SPECIFIED)		SCALE 3:1	DESIGN UNITS <input checked="" type="checkbox"/> mm <input type="checkbox"/> INCH	THIRD ANGLE PROJECTION 	DIMENSIONS: <input type="checkbox"/> mm <input type="checkbox"/> INCH <input type="checkbox"/> mm <input type="checkbox"/> INCH ONLY	I C SHT REV REVISE ON CAD ONLY		
			4 PLACES ± 0.1 ± 0.1 3 PLACES ± 0.1 ± 0.1 2 PLACES ± 0.25 ± 0.10 1 PLACE ± 0.25 ± 0.10	ANGULAR: +3°	DRAFT WHERE APPLICABLE MUST REMAIN WITHIN DIMENSIONS	DRAWN BY & DATE SAM SHIN	CHECKED BY & DATE	APPROVED BY & DATE	TITLE: SALES DRAWING OF USB" B" R/A CONNECTOR WITH SCREW FLANGE	Molex MOLEX INCORPORATED	CAD FILENAME S6728502.S01
C	B	REV	THIS DRAWING CONTAINS INFORMATION THAT IS PROPRIETARY TO MOLEX INCORPORATED AND SHOULD NOT BE USED WITHOUT WRITTEN PERMISSION.			SIZE A3					