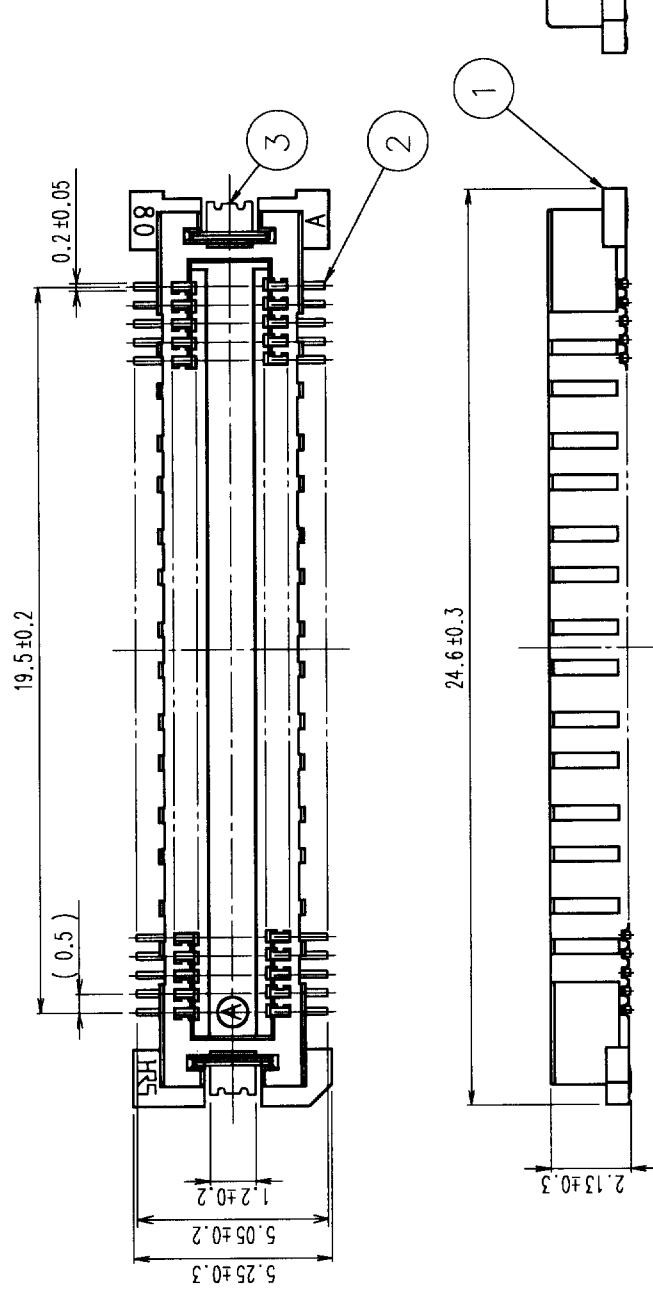


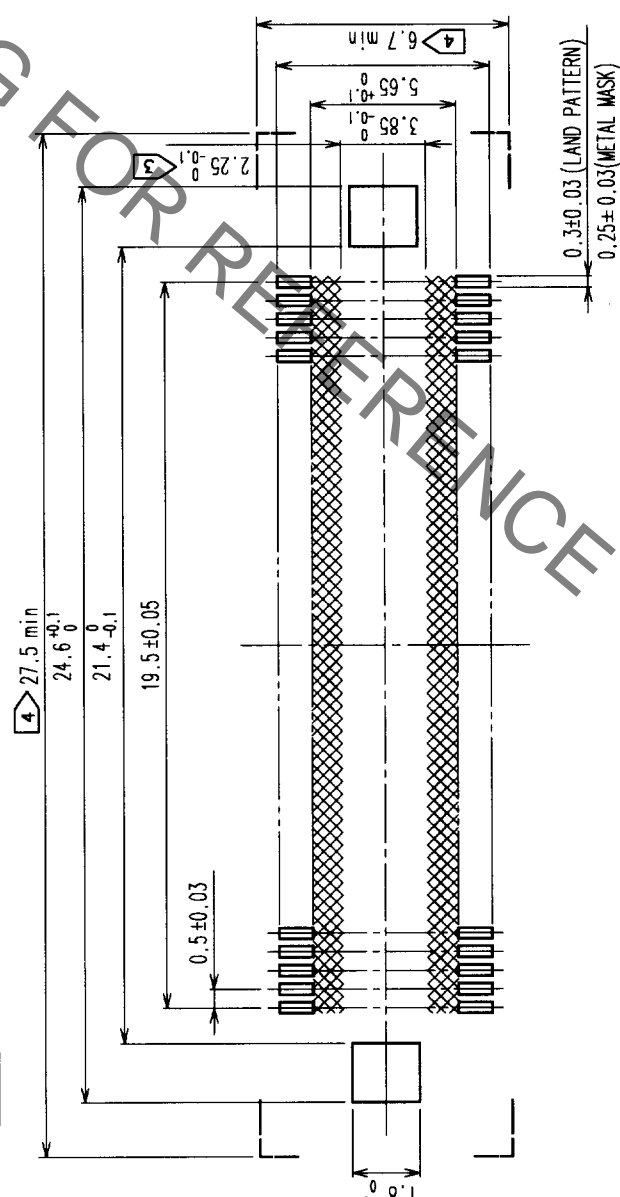
May.1.2023 Copyright 2023 HIROSE ELECTRIC CO., LTD. All Rights Reserved.  
 In case of consideration for using Automotive equipment / device which demand high reliability, kindly contact our sales window correspondents.

1	2	3	4	5	6	7	8		
COUNT	DESCRIPTION OF REVISIONS	BY	CHKD	DATE	COUNT	DESCRIPTION OF REVISIONS	BY	CHKD	DATE

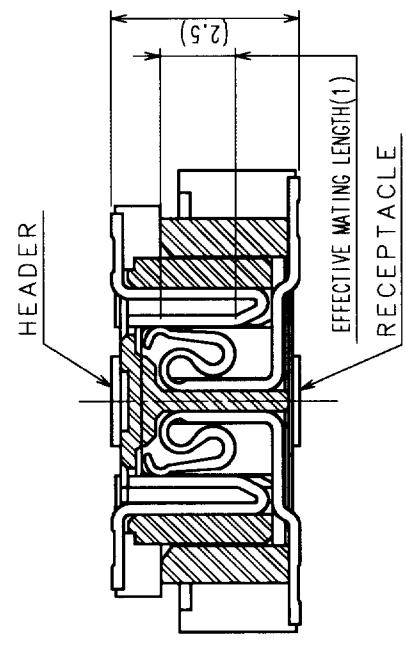
A B C D E F



RECOMMENDED LAND PATTERN DIMENSION OF PCB



SIGNAL PORTION CROSS SECTION (10:1)



2	COPPER ALLOY	CONTACT AREA: GOLD (0.1µm) OVER NICKEL LEAD: GOLD FLASH OVER NICKEL
1	LCP	BEIGE UL94V-0
NO.	MATERIAL	FINISH, REMARKS
CODE NO. (OLD)	CL	

3	PHOSPHOR BRONZE	TIN PLATED
NO.	MATERIAL	FINISH, REMARKS
DESIGNED	DESIGNED	CHECKED
APPROVED	APPROVED	APPROVED
RELEASED	RELEASED	RELEASED

DRAWING NO.	EDC3-152613-01	PART NO.	FX11B-80P-SV(21)
SCALE	5 : 1	CODE NO.	CL573-0558-4-21
UNITS	mm		

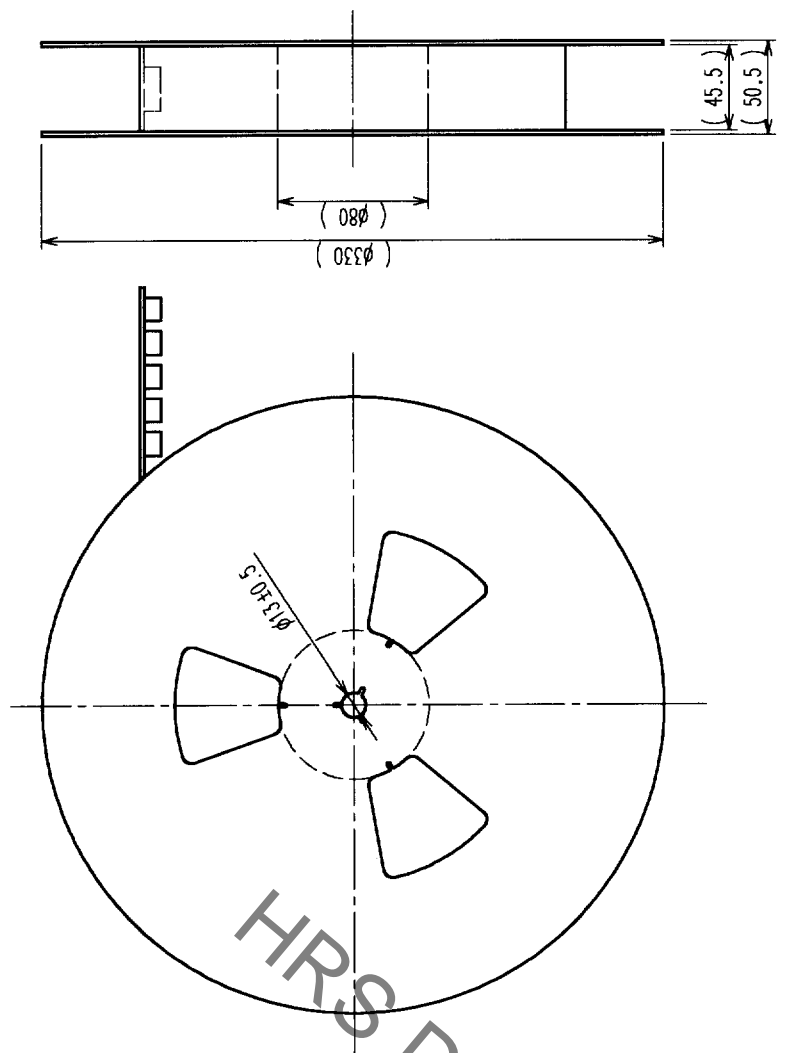
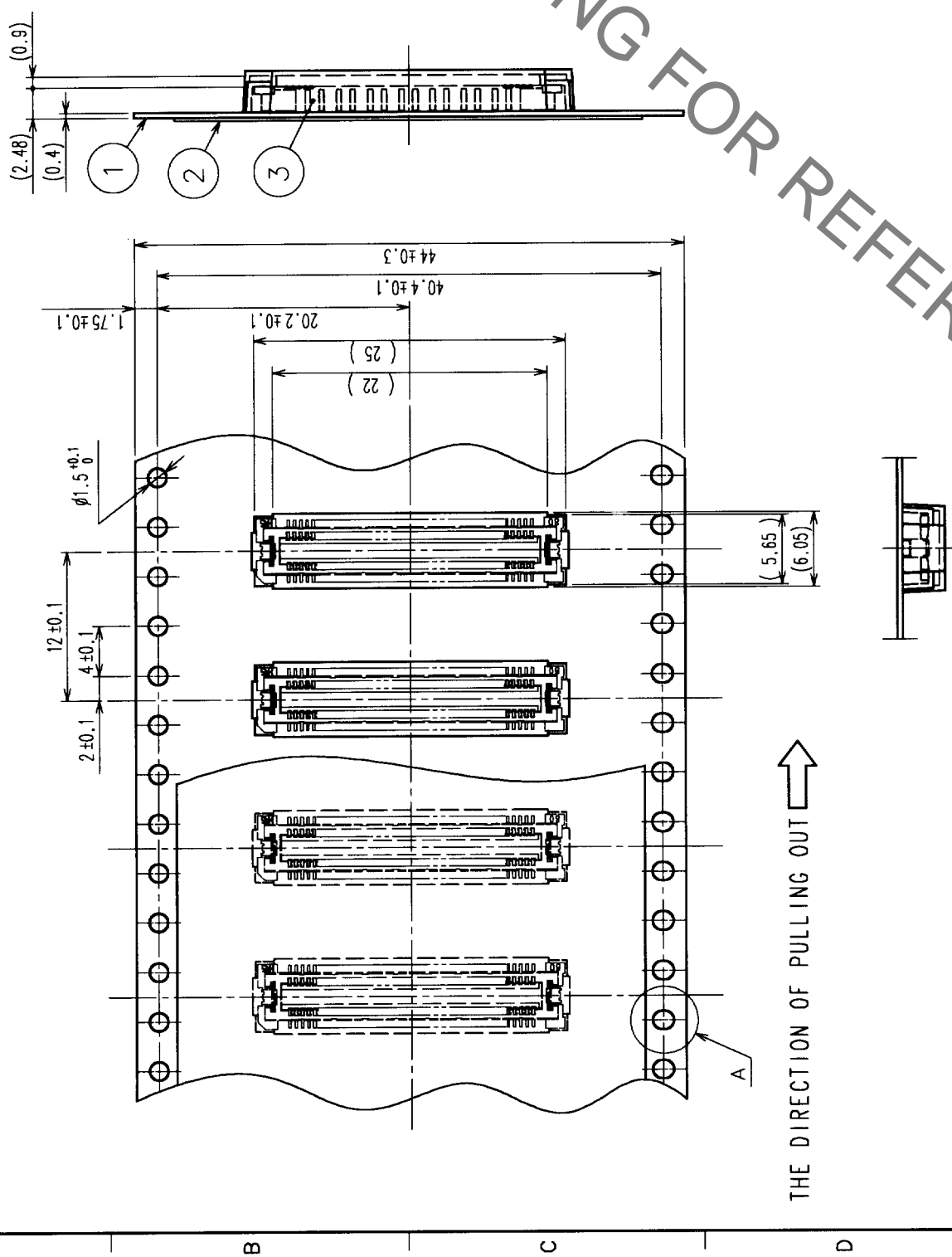
- NOTES
- SMT LEAD-COPLANARITY: 0.1 MAX.
  - THIS PRODUCT HAS NO POLARITY TO PATTERN FOR MOUNTING.
  - MAKE SURE WIDTH OF PATTERN IS WITHIN THAT OF LAND, OR LEAD MAY TOUCH PATTERN. (THIS APPLIES TO HATCHED AREA.)
  - DO NOT MOUNT OTHER DEVICES ONTO □ AREA, OR MATING PAIR CANNOT BE MATED.
  - TO BE EMBOSSED CARRIER TAPED AS SPECIFIED IN SHEET 2.

TO	
PCK	

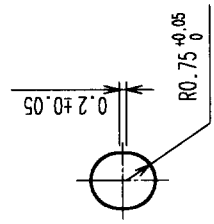
May.1.2023 Copyright 2023 HIROSE ELECTRIC CO., LTD. All Rights Reserved.  
 In case of consideration for using Automotive equipment / device which demand high reliability, kindly contact our sales window correspondents.

COUNT	DESCRIPTION OF REVISIONS	BY	CHKD	DATE	COUNT	DESCRIPTION OF REVISIONS	BY	CHKD	DATE
1					1				
2					2				
3					3				

REELED DIMENSION (FREE)



A (5 : 1)



- NOTES
- 1 REEL: 1000 CONNECTORS.
  - 2 MINIMUM 10 COMPARTMENTS FROM BOTH REEL ENDS REMAIN EMPTY.
  - 3 THIS PRODUCT HAS NO POLARITY TO TAPE AND REEL PACKAGING.

2	PET	TOP COVER TAPE	3	(CONNECTOR)	FINISH, REMARKS	APPROVED	RELEASED
1	PS	EMBOSSED CARRIER TAPE	3				
NO.	MATERIAL	FINISH, REMARKS	NO.	MATERIAL	DESIGNED	CHECKED	APPROVED
CL					H. Ito	H. Ito	
DRAWING NO.		PART NO.		FINISH, REMARKS			
EDC3-152613-01		FX11B-80P-SV(21)					
SCALE		UNITS		DRAWING NO.			
2 : 1		mm		EDC3-152613-01			
				PART NO.			
				FX11B-80P-SV(21)			
				CODE NO.			
				CL573-0558-4-21			
				UNITS			
				mm			

TO	
PCK	

