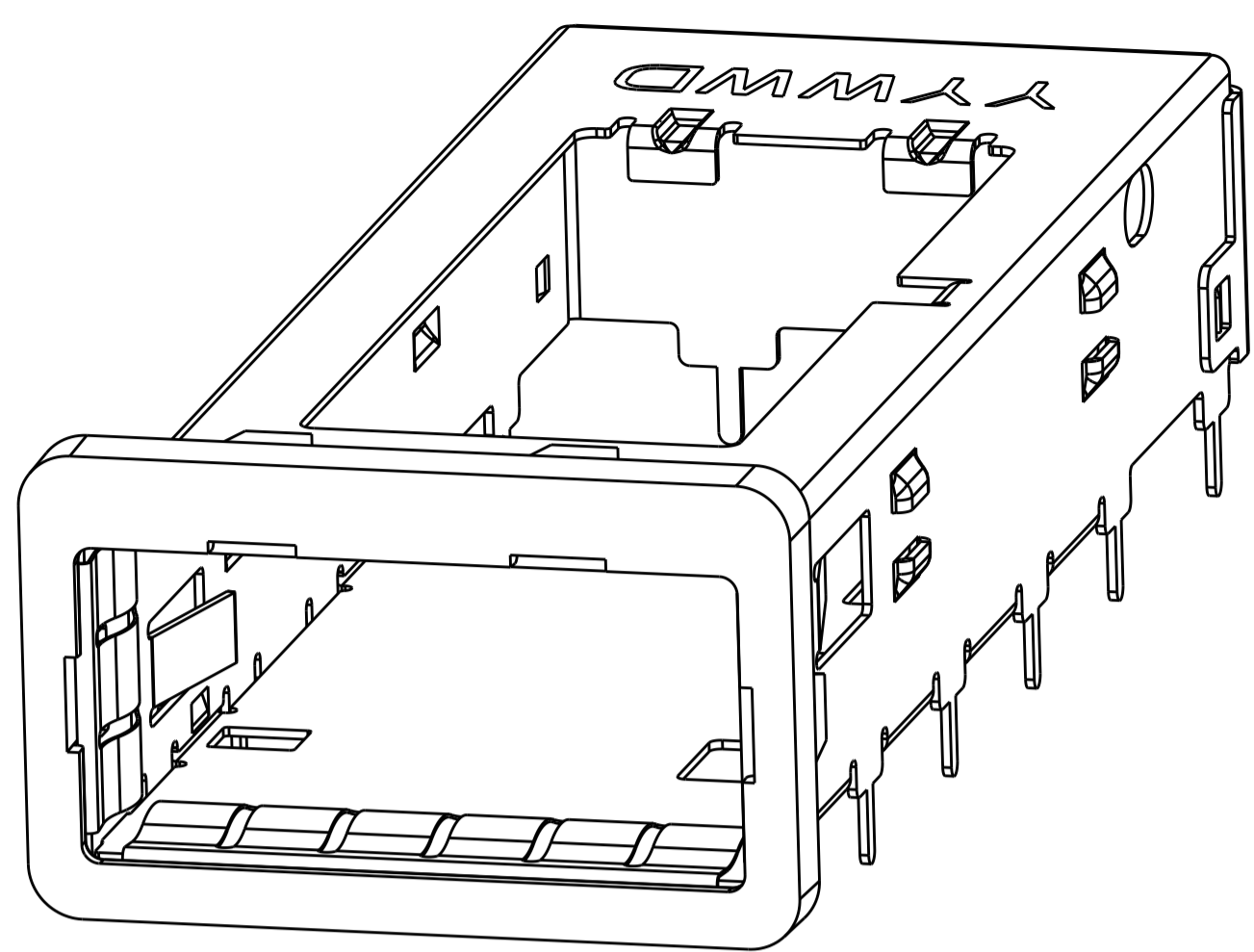
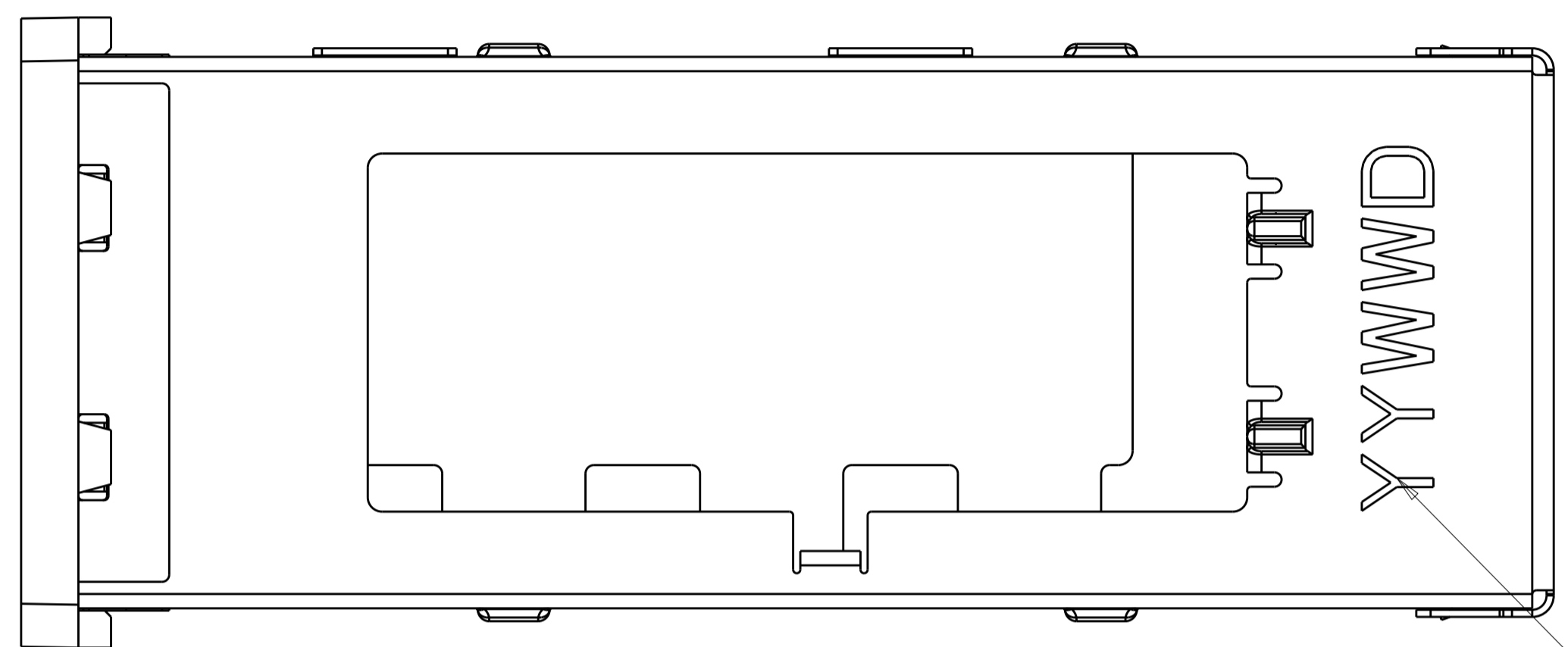


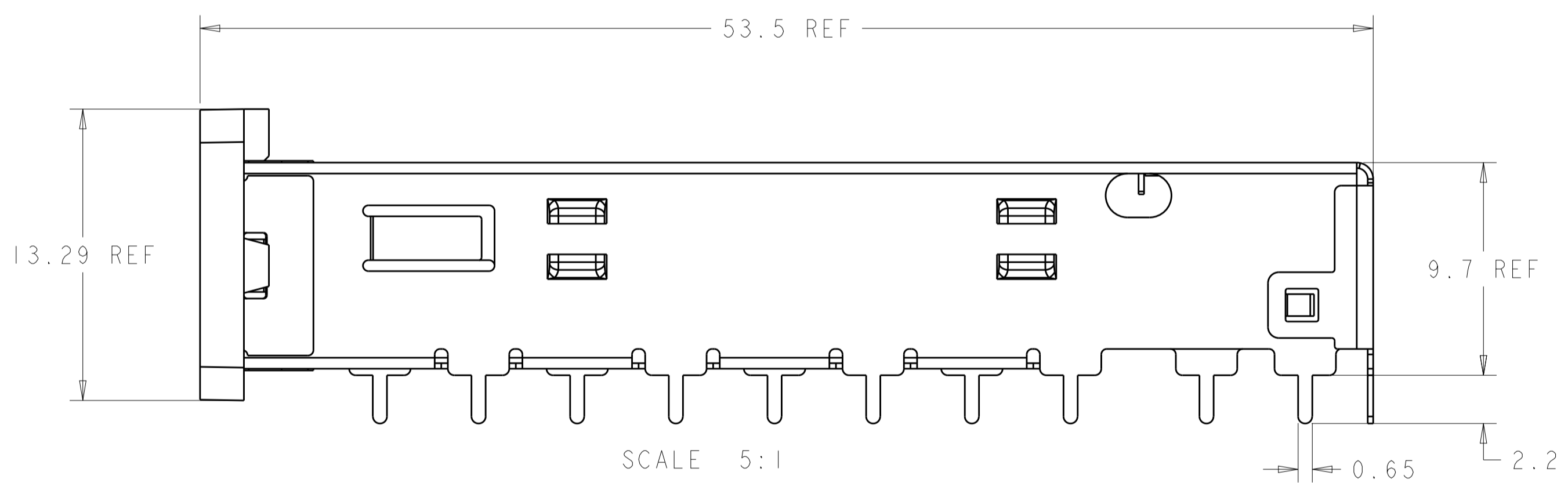
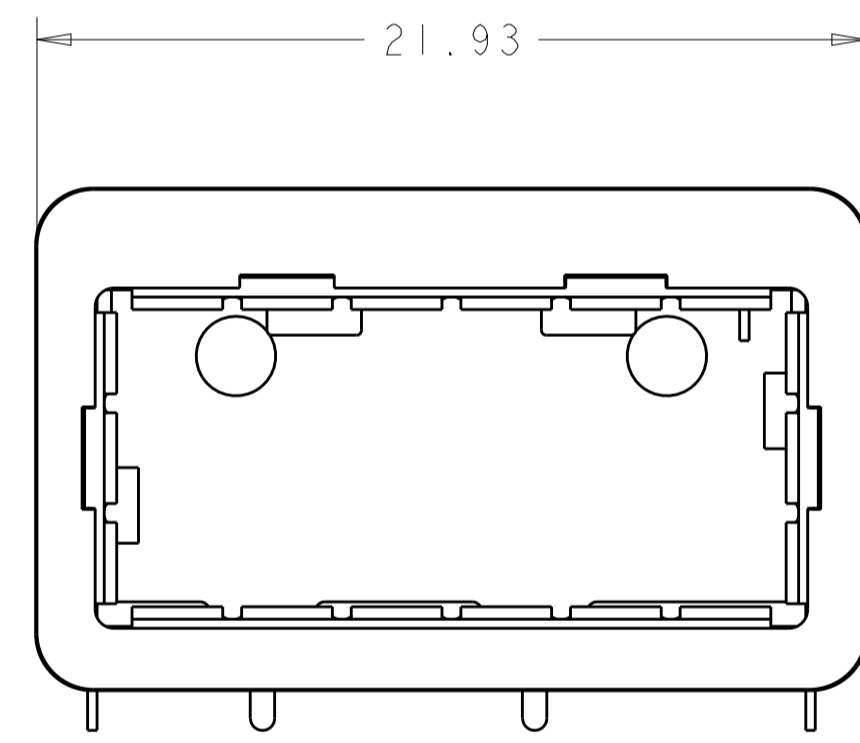
REVISIONS				
P.	LTN	DESCRIPTION	DATE	APVD
1		INITIAL RELEASE	13SEP2013	RG AC
2		REVISED PER ECO-14-018993	2APR2015	RG MC



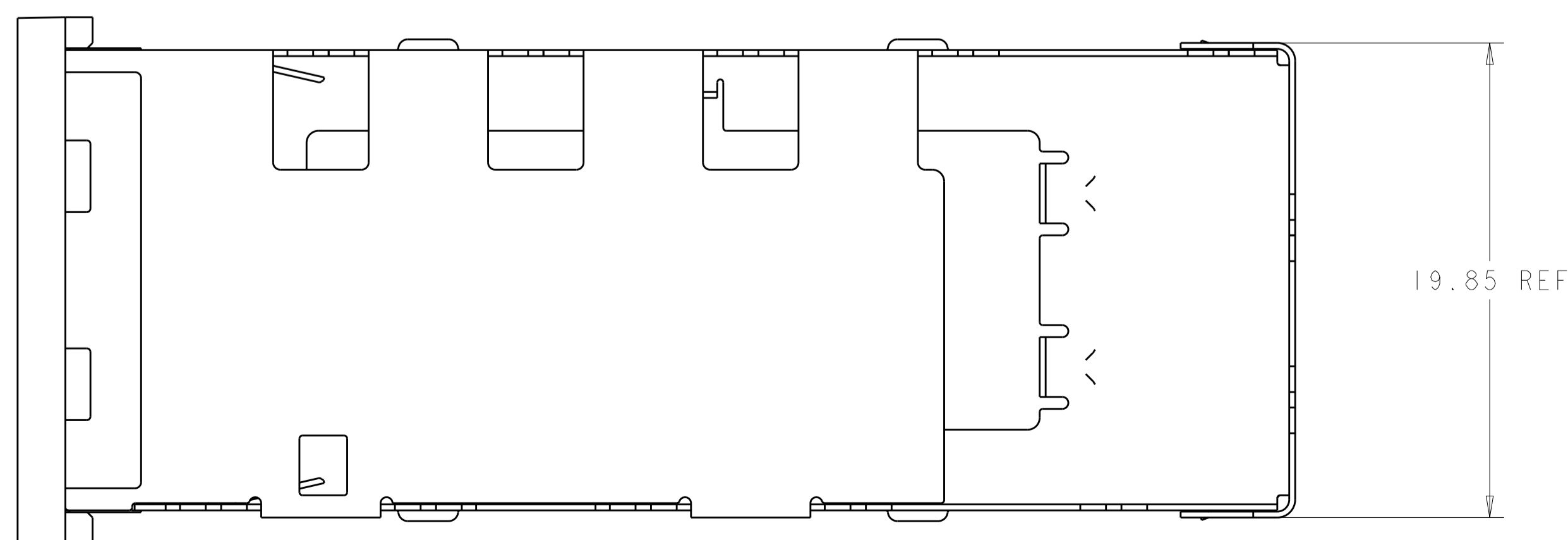
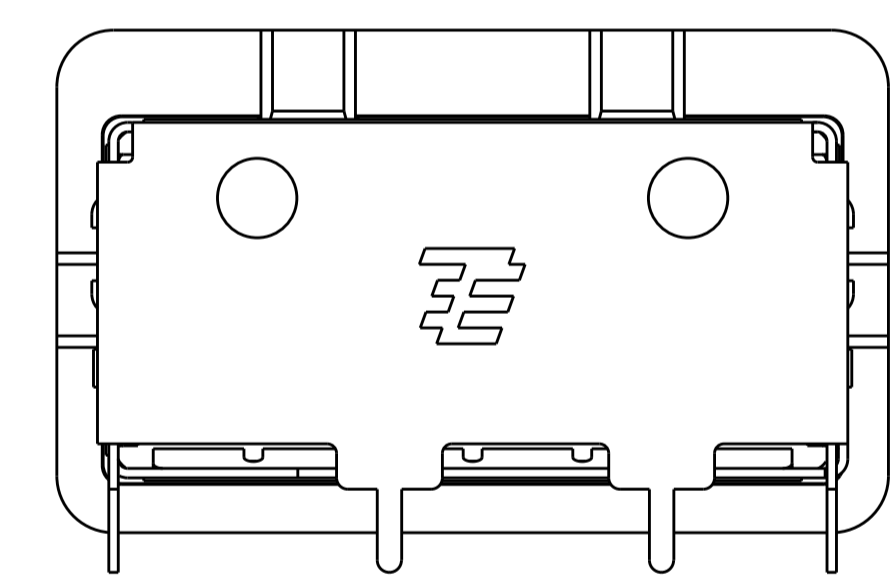
ISOMETRIC VIEW  
SCALE 5:1



- 1 SURFACE TRACES PERMITTED WITHIN THIS LENGTH EXCEPT WHERE CAGE STANDOFFS, SHOWN IN DETAIL J, CONTACT PC BOARD.
- 2 MINIMUM PITCH DIMENSION.
- 3. MATES WITH QSFP MSA COMPATIBLE TRANSCEIVER.
- 4 REFERENCE APPLICATION SPEC 114-13218 FOR RECOMMENDED DRILL HOLE DIAMETER AND PLATING THICKNESS.
- 5 DATUM AND BASIC DIMENSIONS ESTABLISHED BY CUSTOMERS.
- 6 DIMENSION C IS THE NOMINAL THICKNESS OF CUSTOMER SUPPLIED PC BOARD, SINGLE SIDED PC BOARD MINIMUM THICKNESS: 1.45
- 7 DATUM -A- IS TOP SURFACE OF THE HOST BOARD.
- 8 DATE CODE (YYWWD) MARKED APPROXIMATELY AS SHOWN.
- 9 CAGE MATERIAL: 0.25 THICK COPPER ALLOY  
EMI SPRING MATERIAL: COPPER ALLOY  
FRONT FLANGE MATERIAL: ZINC ALLOY.
- 10 EMI SPRING FINISH: 2µm TIN  
FRONT FLANGE FINISH: 3µm MIN THICK TIN OVER 1.27µm MIN THICK NICKEL OVER 5.08µm MIN THICK COPPER.



SCALE 5:1

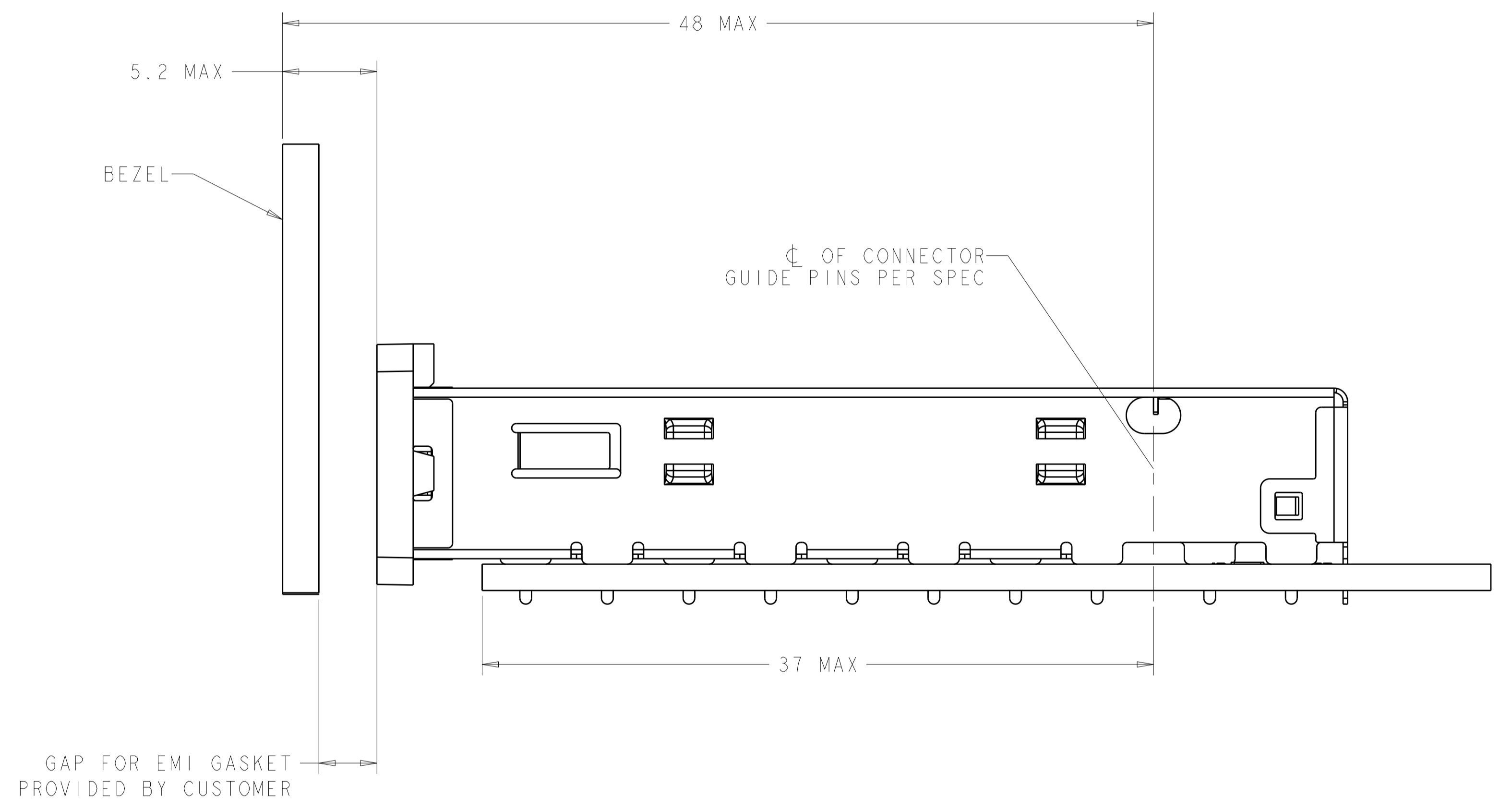
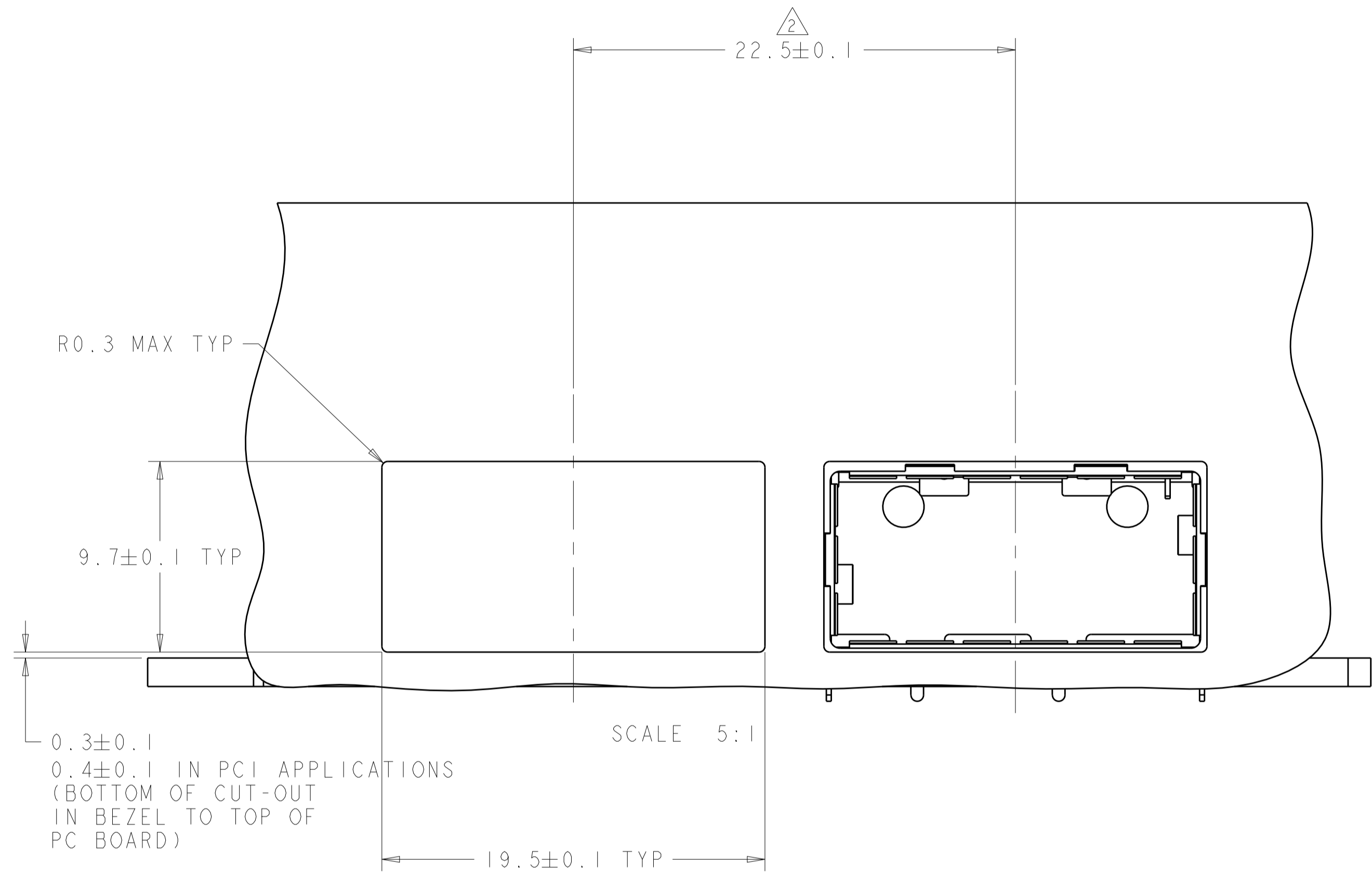


19.85 REF

2170396-1  
PART NUMBER

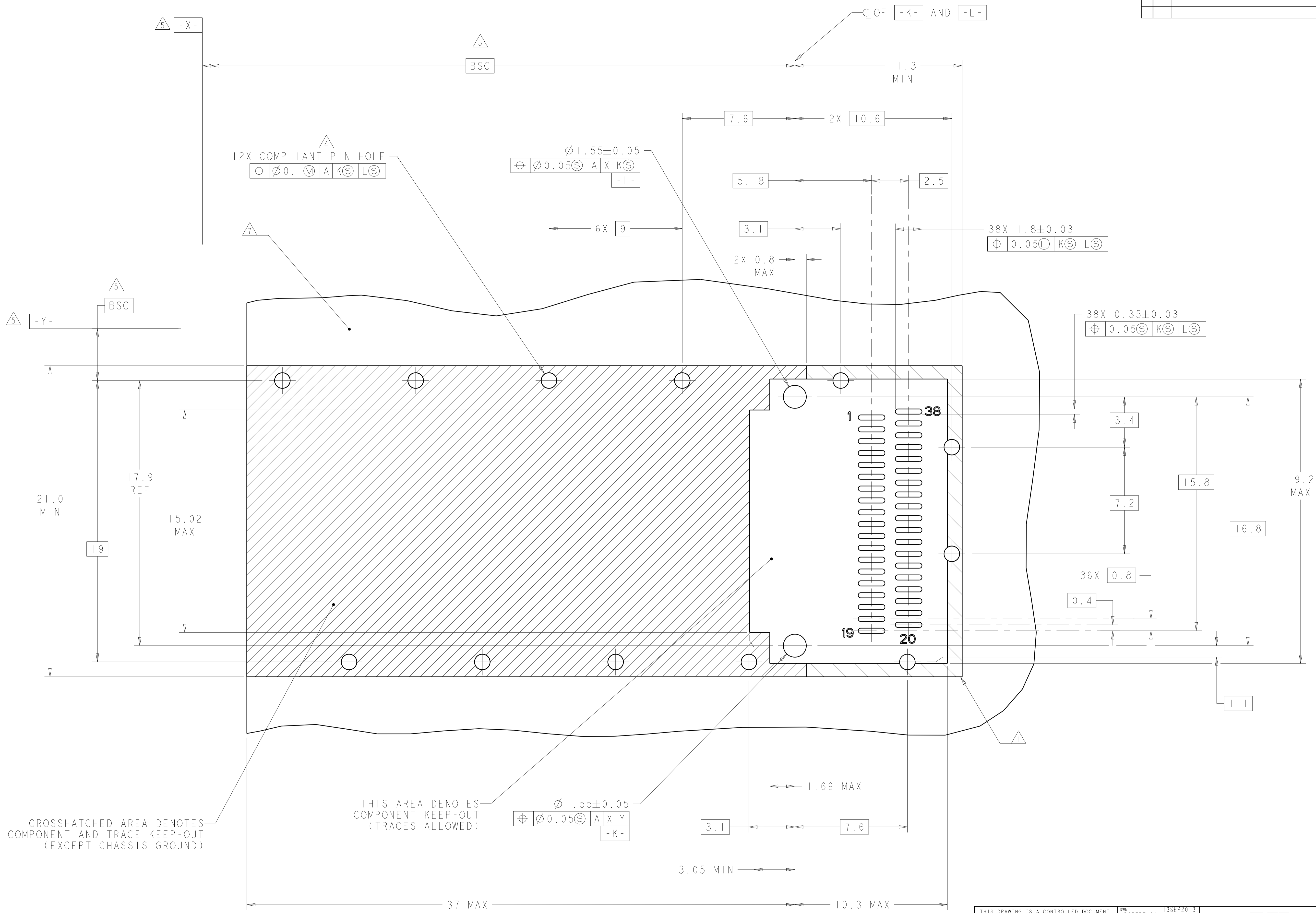
THIS DRAWING IS A CONTROLLED DOCUMENT.		OWN: ROBERT GAN 13SEP2013	TE Connectivity	
DIMENSIONS: mm		CHK: JASON YANG 13SEP2013		
TOLERANCES UNLESS OTHERWISE SPECIFIED:		APVD: ALEY CAI 13SEP2013		
0 PLC ±0.5 1 PLC ±0.13 2 PLC ±0.13 3 PLC ±0.013 4 PLC ±0.001 ANGLES ±0.001		NAME: CAGE ASSEMBLY, BEHIND BEZEL, QSPF	RESTRICTED TO	
MATERIAL: 9		FINISH: 10	SIZE: A1	Customer Drawing
		WEIGHT: -	SCALE: 2:1	SHEET 1 OF 3
				REV 2

REVISIONS				
P.	LTN	DESCRIPTION	DATE	APVD
-	-	SEE SHEET 1	-	-



THIS DRAWING IS A CONTROLLED DOCUMENT.		DWN: ROBERT GAN 13SEP2013 CHK: JASON YANG 13SEP2013 APVD: AILEY CAI 13SEP2013	TE Connectivity
DIMENSIONS: mm	TOLERANCES UNLESS OTHERWISE SPECIFIED: 0 PLC $\pm$ 1 PLC $\pm 0.5$ 2 PLC $\pm 0.13$ 3 PLC $\pm 0.013$ 4 PLC $\pm 0.0001$ ANGLES $\pm$	NAME: CAGE ASSEMBLY, BEHIND BEZEL, QSFP PRODUCT SPEC: 108-2286 APPLICATION SPEC: 114-13218	
MATERIAL: -	FINISH: -	WEIGHT: -	RESTRICTED TO: -
Customer Drawing		SCALE: 2:1	SHEET 2 OF 3 REV 2

REVISIONS				
P.	LTN.	DESCRIPTION	DATE	APVD.
-	-	SEE SHEET 1	-	-



RECOMMENDED SINGLE-SIDE  
 PC BOARD LAYOUT  
 SCALE 8:1

THIS DRAWING IS A CONTROLLED DOCUMENT.		OWN: ROBERT GAN 13SEP2013	TE Connectivity
DIMENSIONS: mm		CHK: JASON YANG 13SEP2013	
		APVD: AILEY CAI 13SEP2013	NAME: CAGE ASSEMBLY, BEHIND BEZEL, QSFP
TOLERANCES UNLESS OTHERWISE SPECIFIED:		PRODUCT SPEC	SIZE: CAGE CODE DRAWING NO
0 PLC ±0.5		108-2286	RESTRICTED TO
2 PLC ±0.13		APPLICATION SPEC	A100779C=2170396
3 PLC ±0.013		114-13218	SCALE 2:1 SHEET 3 OF 3 REV 2
4 PLC ±0.001		WEIGHT	
ANGLES ±0.0001		Customer Drawing	
FINISH			