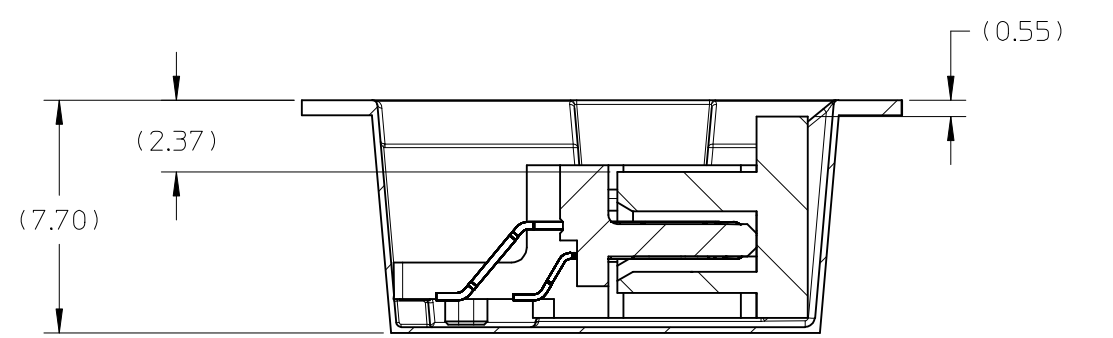
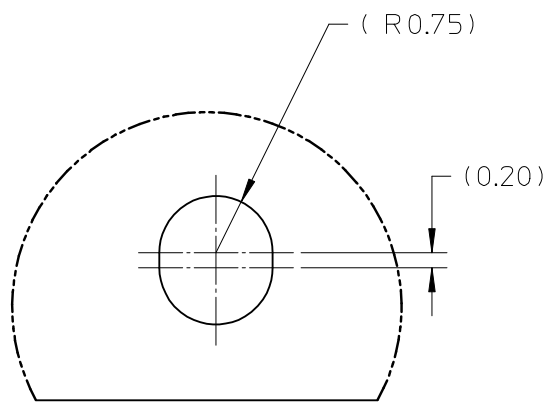


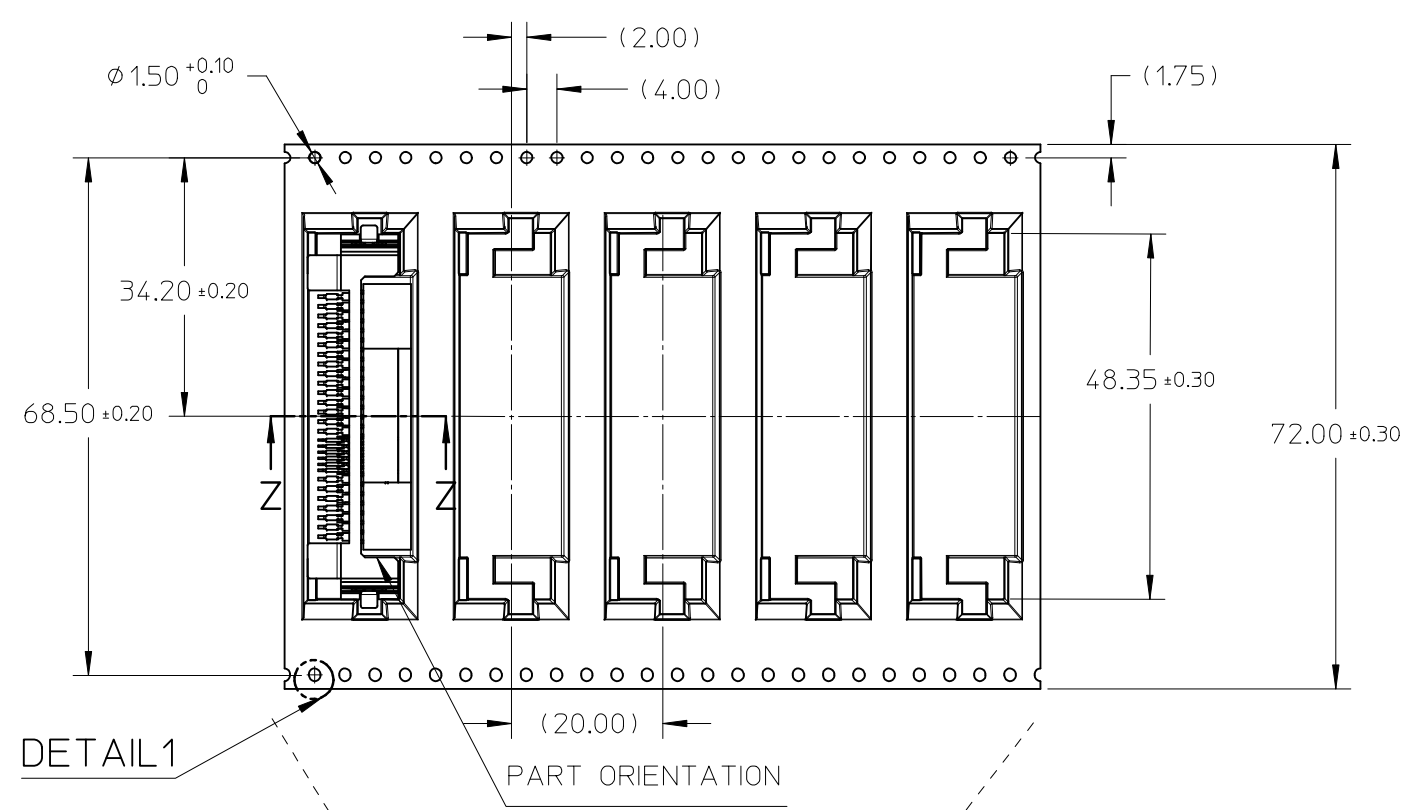
EMBOSSED TAPE PART NO	TOP TAPE PART NO	ASSEMBLY PART NO	QUANTITY/ REEL	REELS/ CARTON
78888-2046	47799-5200	78758-0001	500	2
		78758-0002		



SECTION Z-Z



DETAIL1

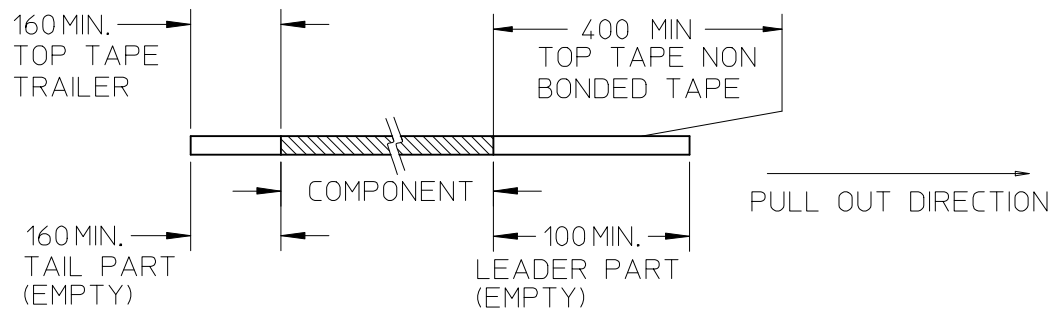


DETAIL1

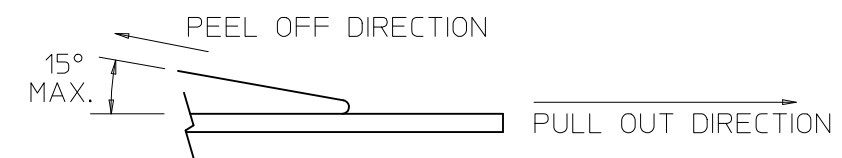
PART ORIENTATION

NOTES:

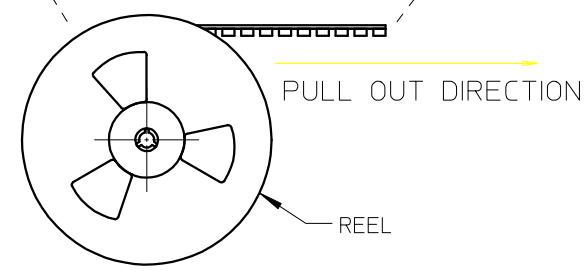
1. LEADER AND TRAILER TAPE



2. PEELING OFF FORCE OF THE TOP TAPE: 10 - 150gf.
(PEELING DIRECTION AS SHOWN IN FOLLOWING FIGURE)



- 3. TAPE AND REEL SPECIFICATION IS AS PER EIA-481.
- 4. TAPE AND REEL QUANTITY : 500 PCS/ REEL.
- 5. THE TAPE IS TREATED FOR ANTI-STATIC.
- 6. PARTS TO BE PACKED AND ORIENTATED AS PER DETAIL SHOWN.
- 7. CLOSE CARTON WITH TAPE.
- 8. ORIENTATION OF THE CONNECTOR IN ALL OTHER PRODUCTS ARE SAME AS THE SHOWN.

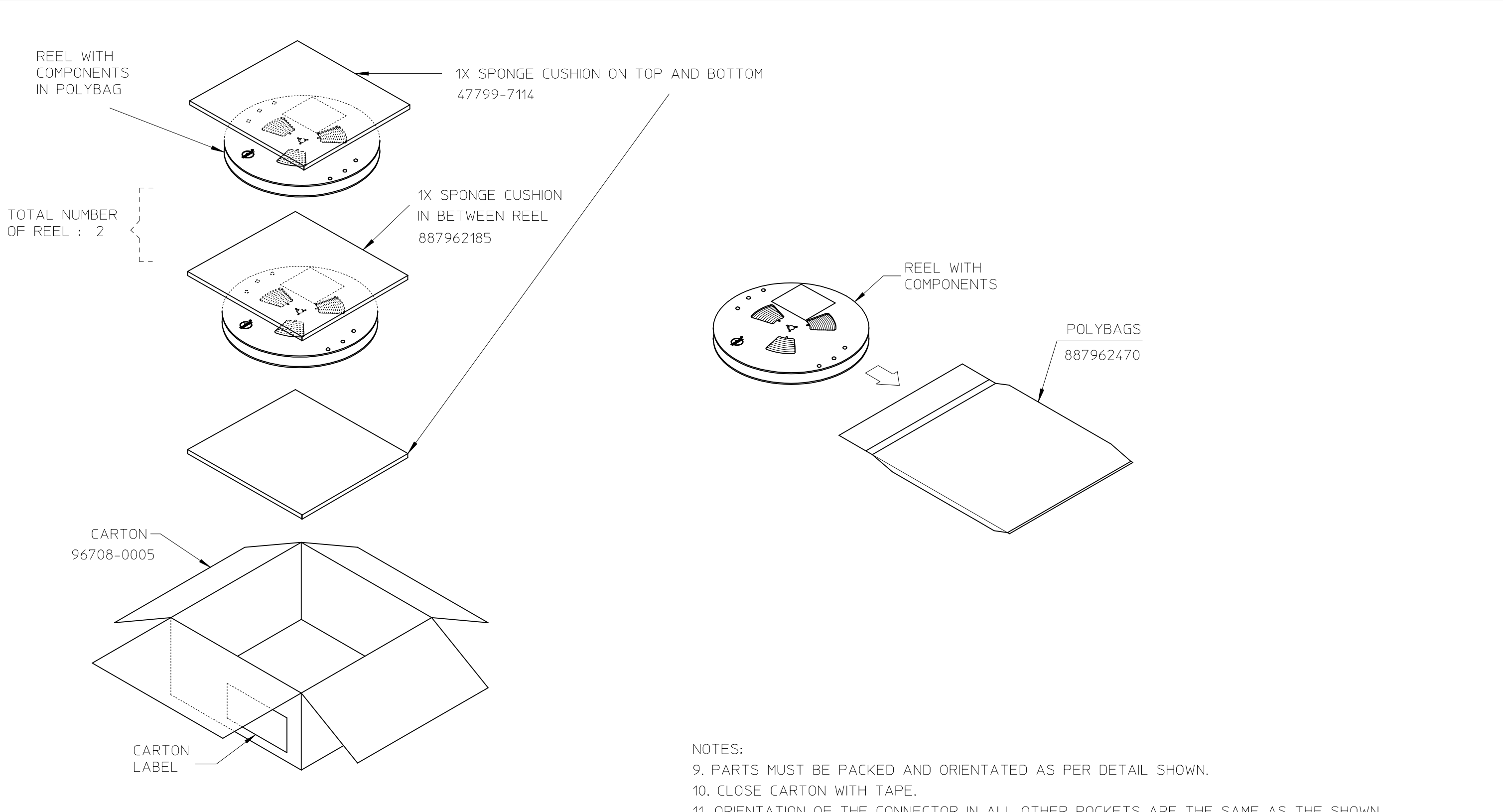


USE ESD TOP TAPE	QUALITY SYMBOLS
EC NO: S2016-0877	$\nabla_A = 0$
DRWN: WZHA021	$\nabla_C = 0$
CHKD: MLONG	$\nabla_P = 0$
APPR: SILENI	
REV 3	

GENERAL TOLERANCES (UNLESS SPECIFIED)	
	mm
4 PLACES	± 0.10
3 PLACES	± 0.15
2 PLACES	± 0.20
1 PLACE	± 0.30
0 PLACE	± 0.40
ANGULAR ± 0.10°	
DRAFT WHERE APPLICABLE MUST REMAIN WITHIN DIMENSIONS	

DIMENSION STYLE MM ONLY	
DRAWN BY	DATE
CGOH	2012/09/20
CHECKED BY	DATE
GMENARLY	2012/10/17
APPROVED BY	DATE
BOKOK	2012/10/17
MATERIAL NO. SEE TABLE	
SIZE	A3

SCALE	DESIGN UNITS	THIRD ANGLE PROJECTION
NTS	METRIC	
TITLE		
PACKAGING SPECIFICATION FOR 78758 (TAPE & REEL) SAS/PCIE PLUG		
molex		
DOCUMENT NO.	SHEET NO.	
PK-78758-001	1 OF 2	
THIS DRAWING CONTAINS INFORMATION THAT IS PROPRIETARY TO MOLEX INCORPORATED AND SHOULD NOT BE USED WITHOUT WRITTEN PERMISSION		



Stack Reel

- NOTES:
- 9. PARTS MUST BE PACKED AND ORIENTATED AS PER DETAIL SHOWN.
 - 10. CLOSE CARTON WITH TAPE.
 - 11. ORIENTATION OF THE CONNECTOR IN ALL OTHER POCKETS ARE THE SAME AS THE SHOWN.

USE ESD TOP TAPE EC NO: S2016-0877 DRWN:WZHA021 2016/04/07 CHKD:MLONG 2016/04/15 APPR:SHLENI 2016/05/25	REV DESCRIPTION 3	QUALITY SYMBOLS	GENERAL TOLERANCES (UNLESS SPECIFIED)		DIMENSION STYLE MM ONLY		SCALE NTS	DESIGN UNITS METRIC	THIRD ANGLE PROJECTION
		$F_A=0$ $F_E=0$ $F_P=0$	mm	INCH	DRAWN BY CGOH	DATE 2012/09/20	TITLE PACKAGING SPECIFICATION FOR 78758 (TAPE & REEL) SAS/PCIE PLUG		
		4 PLACES	± ---	± ---	CHECKED BY GMENARLY	DATE 2012/10/17			
		3 PLACES	± ---	± ---	APPROVED BY BOKOK	DATE 2012/10/17			
2 PLACES	± ---	± ---	MATERIAL NO. SEE TABLE	DOCUMENT NO. PK-78758-001	SHEET NO. 2 OF 2				
1 PLACE	± ---	± ---	DRAFT WHERE APPLICABLE MUST REMAIN WITHIN DIMENSIONS		THIS DRAWING CONTAINS INFORMATION THAT IS PROPRIETARY TO MOLEX INCORPORATED AND SHOULD NOT BE USED WITHOUT WRITTEN PERMISSION				
0 PLACE	±	±							