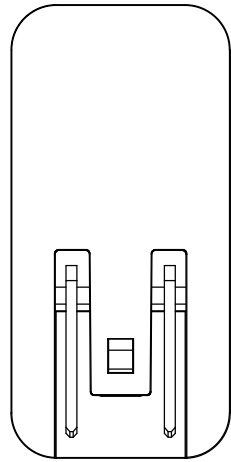
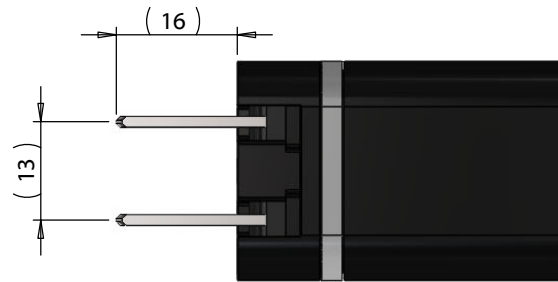
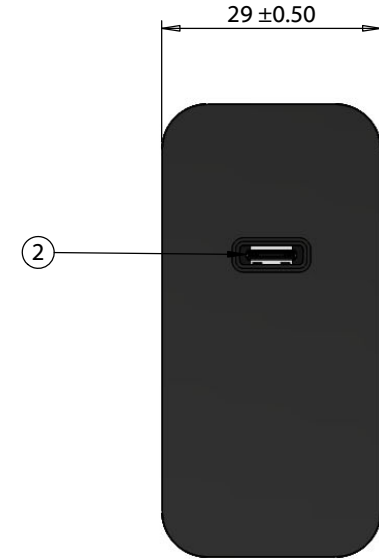
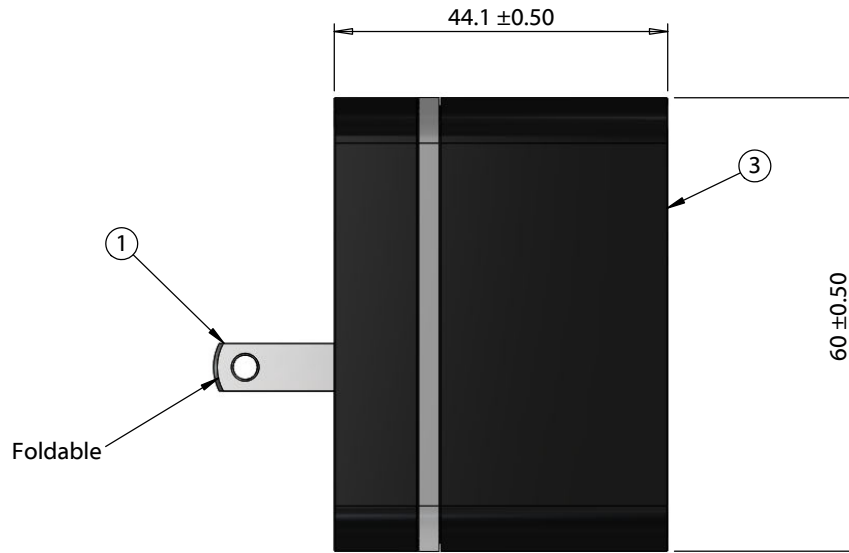


ITEM NO.	PART NUMBER	DESCRIPTION	QTY.	COMPONENT NOTES
1	Nema 1-15 plug	NEMA 1-15 plug, nickel plated	1	
2	54-00071	Connector, USB C 3.1 jack, 11.95 mm, nickel plated, SMT mount, 90°, thru hole, black insulator	1	
3	26-00009	Case, wall mount, ac-dc power supply, USB C, 60x44.1x29 mm, NEMA 1-15	1	



Blades Retracted



**Features:**

- Wattage: 18 W, continuous
- Input voltage: 100 - 240 Vac, 50/60 Hz, 0.55 A max
- Output voltage(dc): 5 V / 9V / 12V
- Output current: 3A / 2A / 1.5A
- USB Power Delivery 3.0
- Efficiency: DoE Level VI
- Safety: UL 62368-1

Revision:	Date:	Description:	Prepared:	Notes: RoHS compliant Approvals:	<b>TENSILITY</b> tel 1.541.323.3228 800 877.670.7118 fax 1.541.323.4202 web tensility.com
A	7/13/2020	Initial release	Verified:		
			Dimensions are in millimeters. Tolerances: X: ± 0.5 mm X.X: ± 0.3 mm X.XX: ± 0.05 mm	Description: Adapter, WP 120V, US, 2P, 5V 3000mA/9V 2000mA/12V 1500mA, USB C jack, PD 3.0, C+, Level VI	Size: A Part number: 16-00241
					Scale: 1:1  Sheet 1 of 2

5

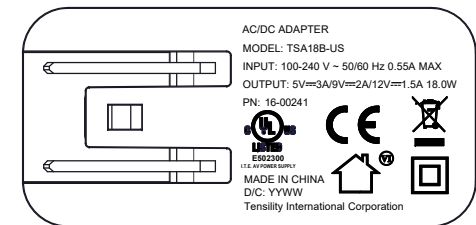
4

3

2

1

	Rating	Conditions
<b>Input</b>		
Input voltage	100 - 240 Vac	single phase
Frequency	50 - 60 Hz	
Steady ac current	0.55 A max	100 - 240 Vac
Inrush current	60 A max	240 Vac, cold start
Standby power	0.1 W max	115 or 230 Vac
<b>Output</b>		
Output mode (V)	Output voltage range (Vdc)	Output current (A)
5	4.75-5.30	3.0
9	8.55-9.45	2.0
12	11.40-12.60	1.5
Power	18 Watts continuous	all specified conditions
Ripple voltage	200 mV p-p at (5V/3A, 9V/2A, 12V/1.5A)	20 MHz bandwidth oscilloscope, terminated with 0.1 $\mu$ F ceramic capacitor and 10 $\mu$ F electrolytic capacitor, 25 °C
Over current protection	110 - 180% of max load	
Short circuit protection	input power shutdown, auto-recovery after fault removed	output short
<b>Reliability &amp; Safety</b>		
Leakage current	0.25 mA max	nominal ac input voltage and frequency
Burn-in test	2 hours	40 °C max at normal input voltage and rated load
Efficiency	DoE Level VI: 5V 80% min, 9V/12V 82.69%	115 or 230 Vac
MTBF	50,000 hours min	MIL-HDBK-217F
Hi-Pot (primary to secondary)	3300 Vac, 5 mA max	3 seconds (production testing)
Hi-Pot (primary to secondary)	3000 Vac, 10 mA max	60 seconds (safety testing)
Insulation resistance	100 M $\Omega$ , primary to secondary	500 Vdc
Safety testing	UL 62368-1	
<b>Mechanical</b>		
Weight	65 $\pm$ 10 g	
<b>Environmental</b>		
Operating temperature	0 to 40 °C	10 - 90% relative humidity
Storage temperature	-25 to 70 °C	5 - 95% relative humidity



Not to Scale

Revision:	Date:	Description:	Prepared:	Notes: RoHS compliant Approvals: 	 tel 1.541.323.3228 800 877.670.7118 fax 1.541.323.4202 web tensility.com
A	7/13/2020	Initial release	Verified:		
			Dimensions are in millimeters. Tolerances: X: $\pm$ 0.5 mm X.X: $\pm$ 0.3 mm X.XX: $\pm$ 0.05 mm	Description: Adapter, WP 120V, US, 2P, 5V 3000mA/9V 2000mA/12V 1500mA, USB C jack, PD 3.0, C+, Level VI	Size: A Part number: 16-00241
					Scale: 1:1  Sheet 2 of 2

5

4

3

2

1