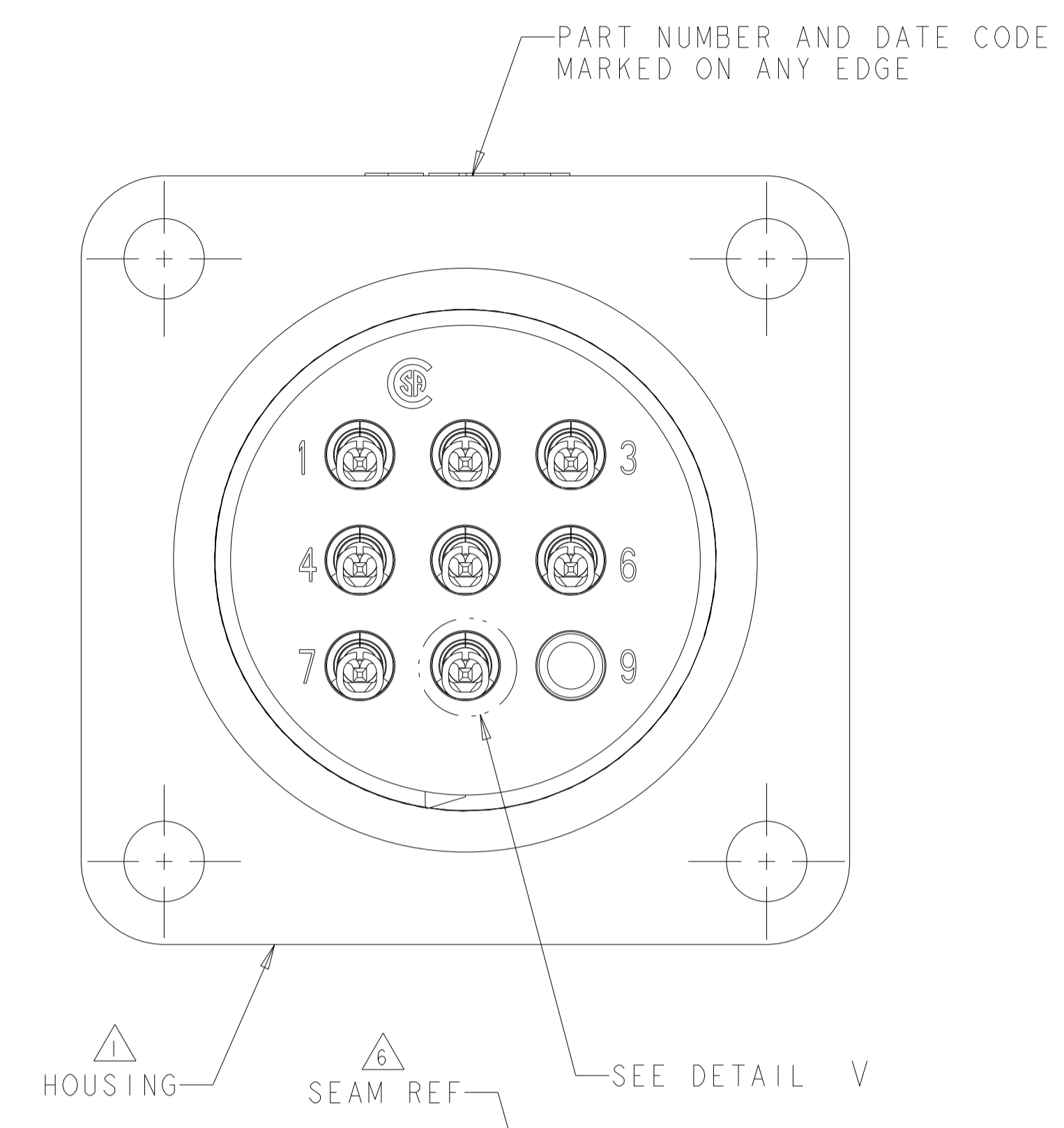
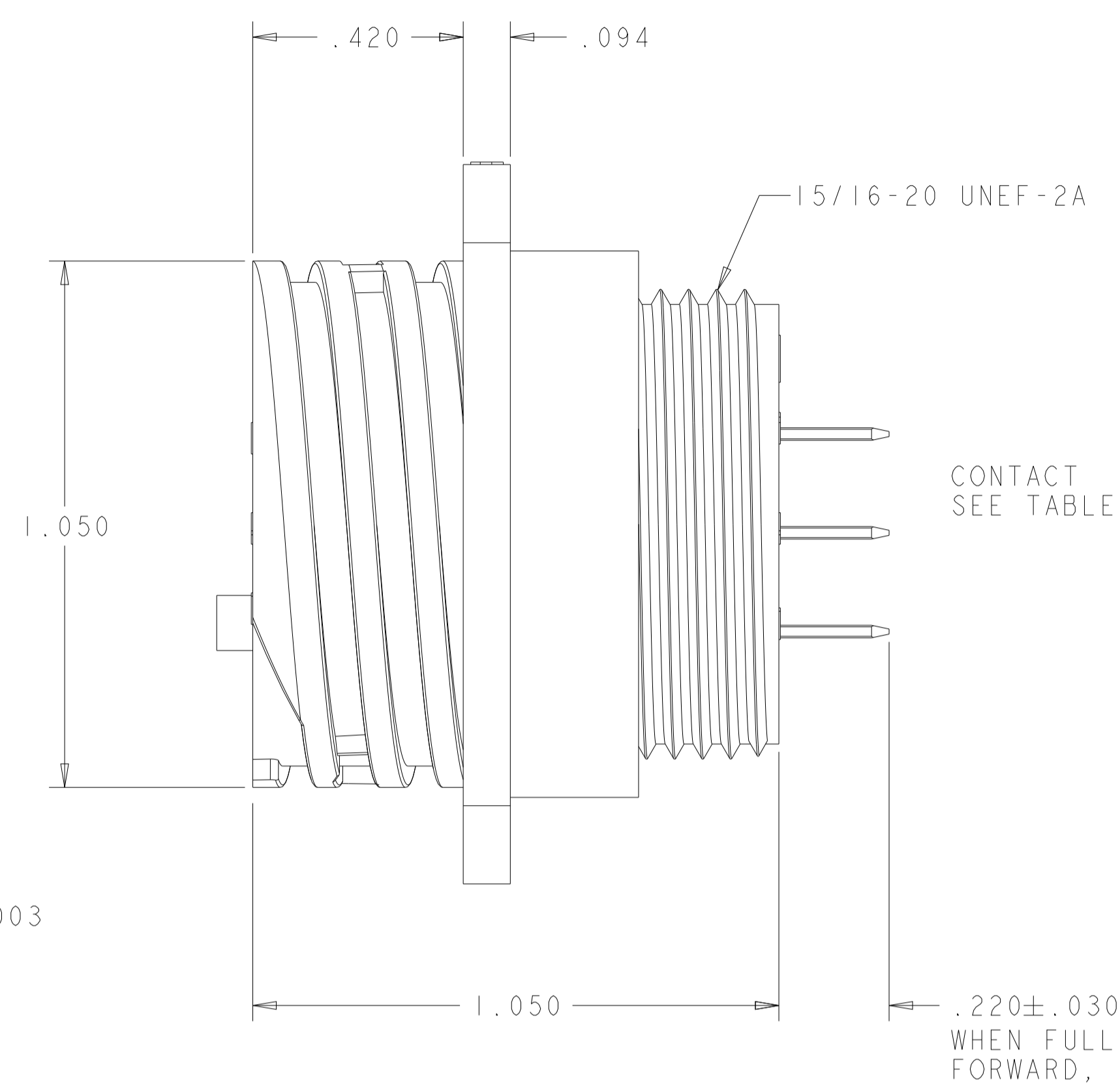
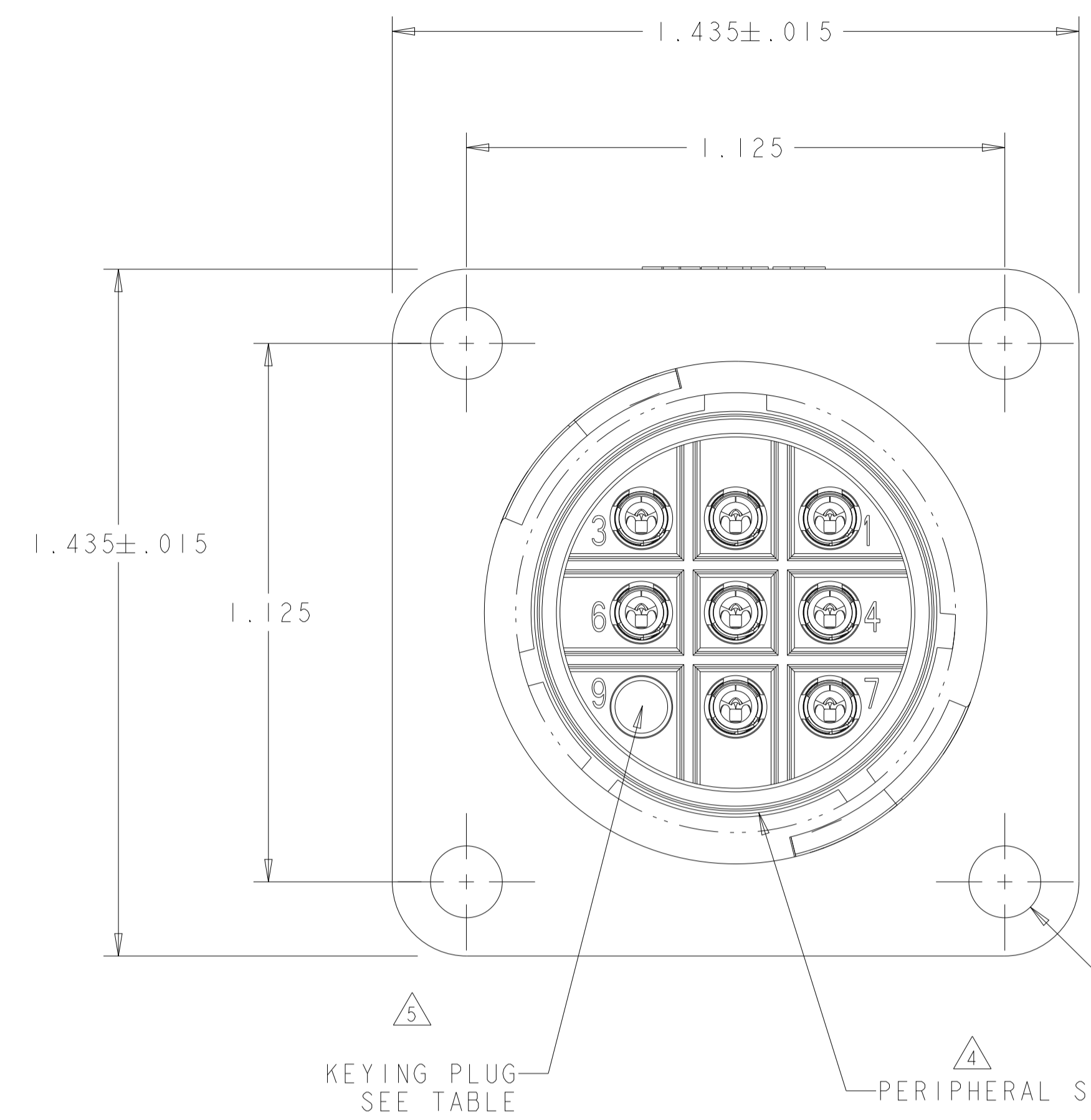
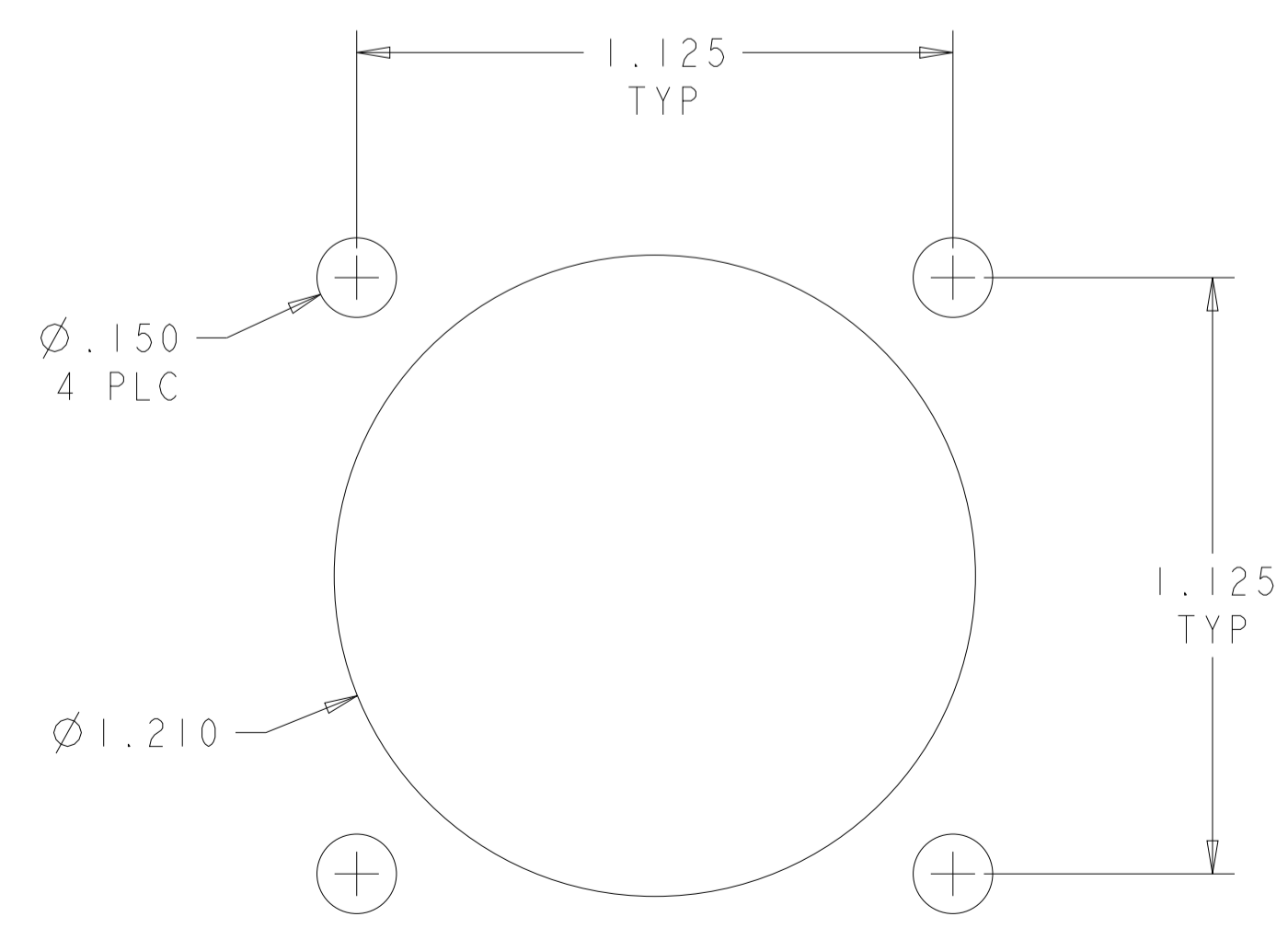
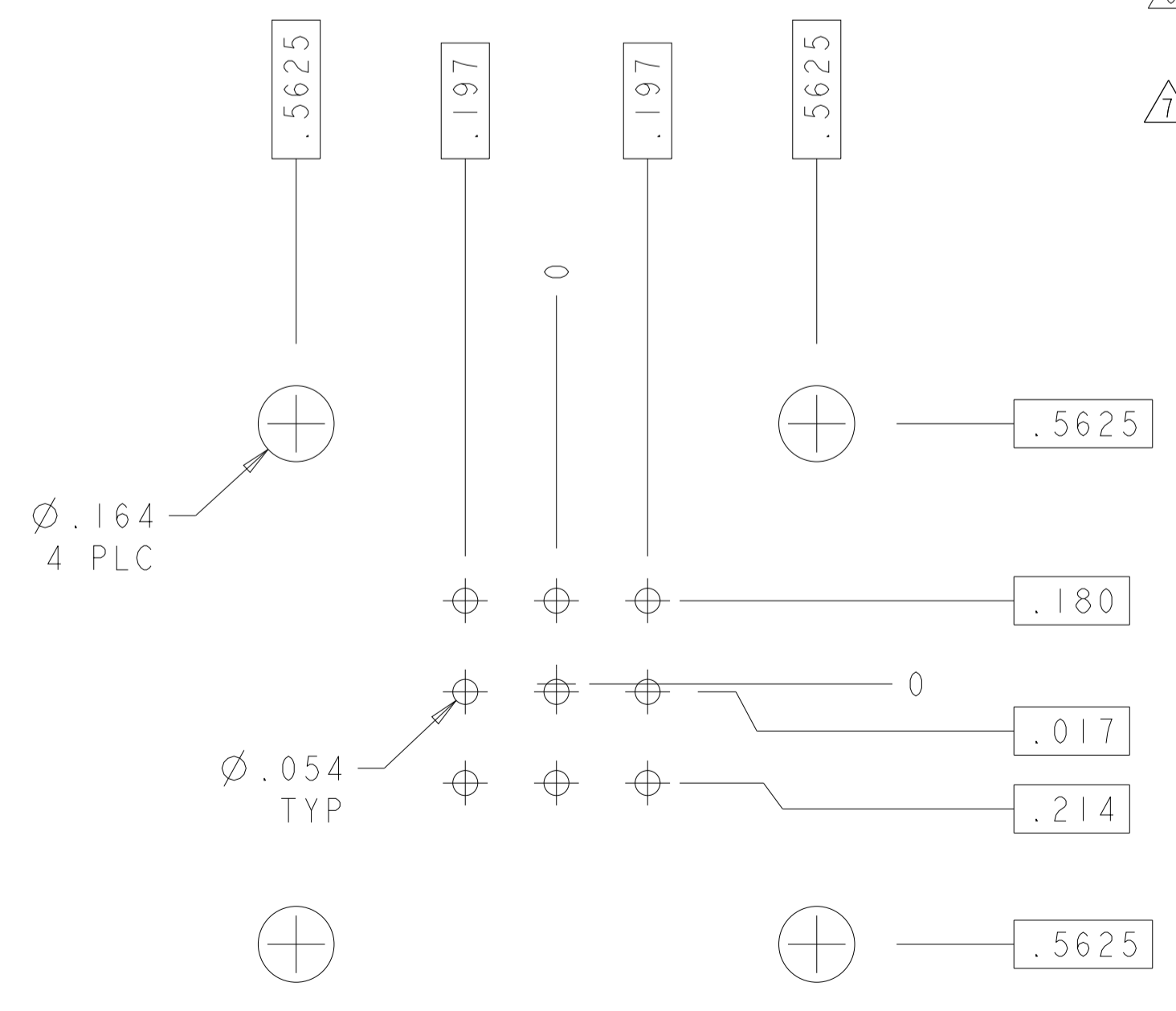
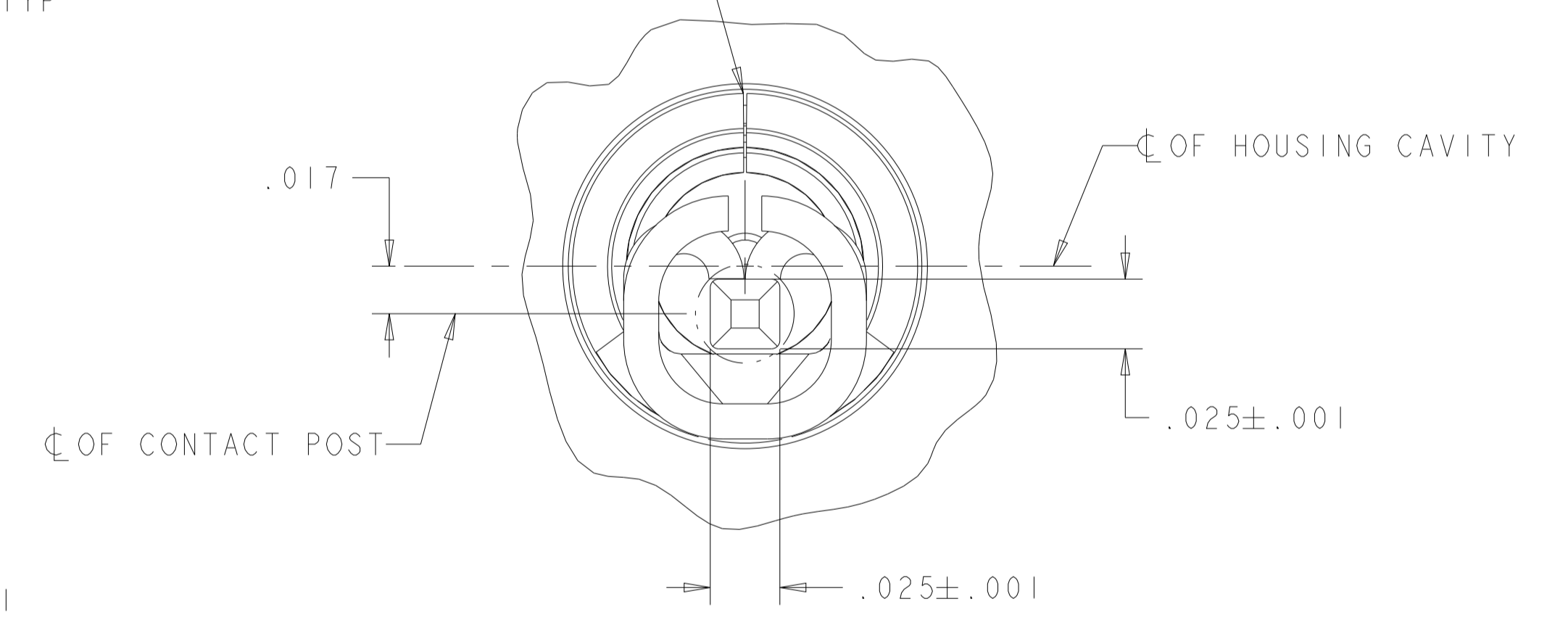


REVISIONS				
P	LTN	DESCRIPTION	DATE	OWN APVD
R1		REVISED PER ECR-22-144105	29JUN2022	RK MZ



- ⚠ HOUSING: NYLON, UL 94 V-0 RATED, BLACK.
- ⚠ CONTACT:
BODY - BRASS, .000100 MIN TIN-LEAD OVER .000050 MIN NICKEL.
POST - BRASS, .000100 MIN TIN-LEAD OVER .000050 MIN NICKEL.
- ⚠ CONTACT:
BODY - BRASS, .000100 MIN TIN OVER .000050 MIN NICKEL.
POST - BRASS, .000100 MIN TIN OVER .000050 MIN NICKEL.
- ⚠ PERIPHERAL SEAL: ELASTOMER, BLACK.
- ⚠ KEYING PLUG: NYLON, NATURAL.
- ⚠ .009 MAXIMUM CONTACT LEAD-IN SEAM GAP PERMISSIBLE ON MATING FACE END.
- ⚠ OBSOLETE PARTS: OBSOLETE CIS STREAMLINING PER D.RENAUD/D.SINISI



KEYING PLUG	PERIPHERAL SEAL	FINISH	QTY	SELECT LOAD IN POSITIONS	PART NUMBER
⚠ POSN 9	YES	⚠ 8	8	1-8	1-213826-3
⚠ -	YES	⚠ 8	8	1-5, 7-9	1-213826-2
-	YES	⚠ 9	9	ALL	1-213826-1
POSN 9	YES	⚠ 8	8	1-8	1-213826-0
-	YES	⚠ 8	8	1-5, 7-9	213826-9
POSN 9	YES	⚠ 8	8	1-8	213826-8
-	YES	⚠ 8	8	1-5, 7-9	213826-7
POSN 9	YES	⚠ 8	8	1-8	213826-3
-	YES	⚠ 8	8	1-5, 7-9	213826-2
-	YES	⚠ 9	9	ALL	213826-1

RECOMMENDED PC BOARD LAYOUT
SCALE 3:1

RECOMMENDED PANEL LAYOUT
.125 MAX PANEL THICKNESS
SCALE 3:1

THIS DRAWING IS A CONTROLLED DOCUMENT.

OWN: S. WELDON 23MAY2003
CHK: S. HEADER 23MAY2003
APVD: S. HEADER 23MAY2003

DIMENSIONS: INCHES
TOLERANCES UNLESS OTHERWISE SPECIFIED:
0 PLC ±.0
2 PLC ±.010
3 PLC ±.010
4 PLC ±.010
ANGLES ±.0000

MATERIAL: -
FINISH: -

WEIGHT: -
CUSTOMER DRAWING

NAME: RECEPTACLE ASSEMBLY, POSTED, REVERSE SEX, SERIES 1, 17-9, CPC
APPLICATION SPEC: 108-10024
APPLICATION SPEC: 114-10004

SIZE: A
CAGE CODE: 00779
DRAWING NO: 213826
RESTRICTED TO: REV R1

SCALE: 4:1
SHEET: 1 OF 1