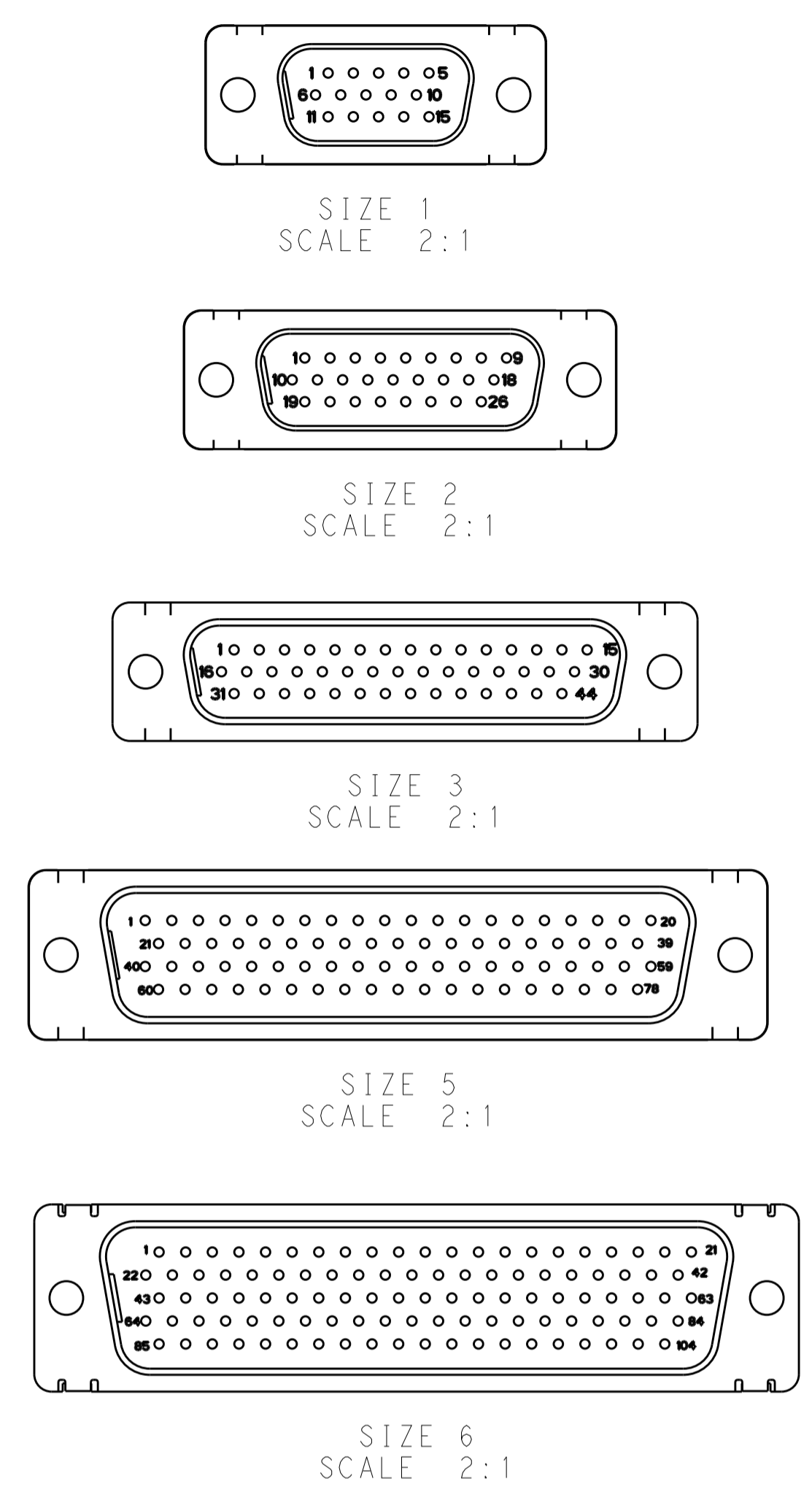
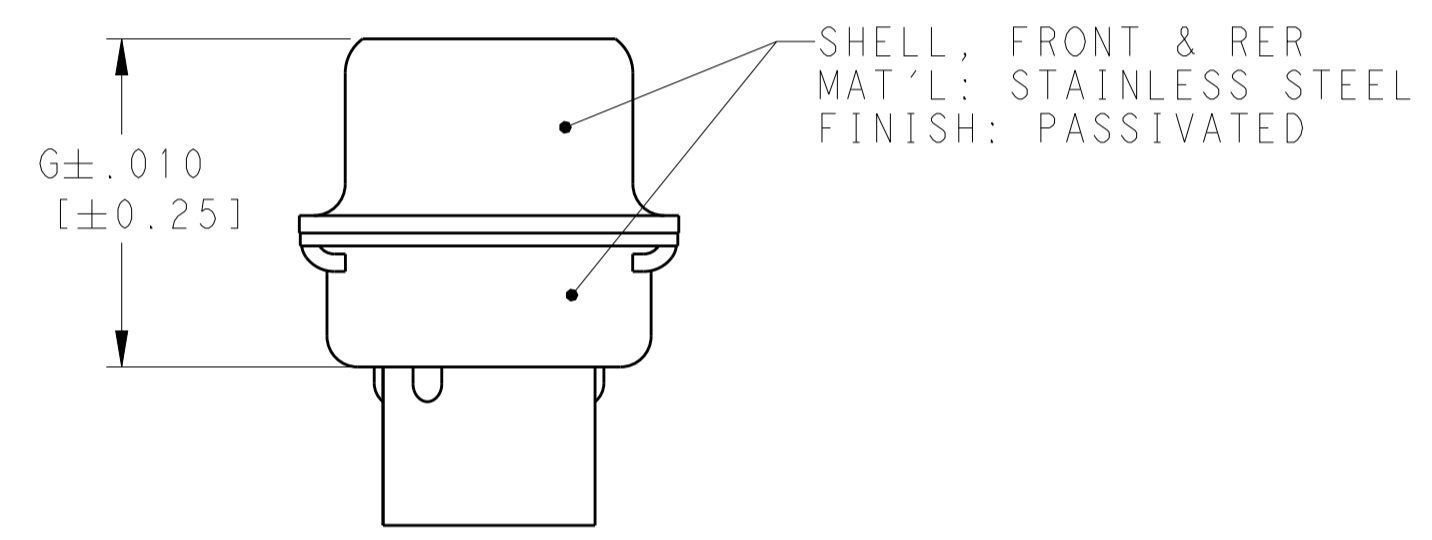
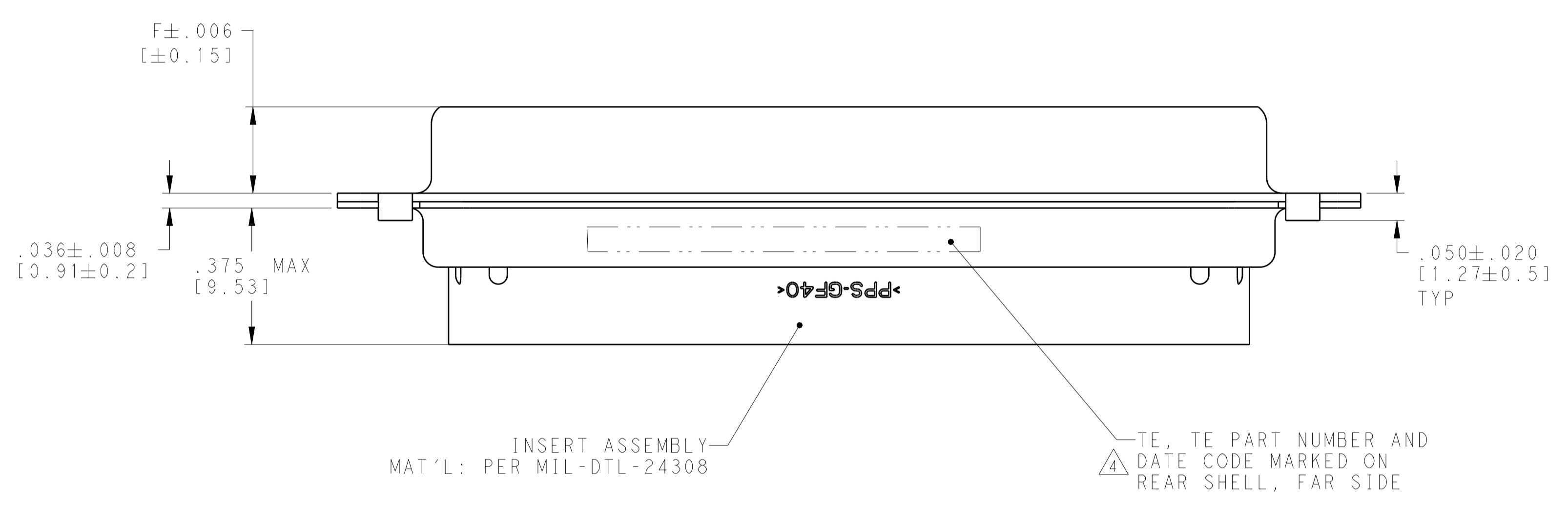
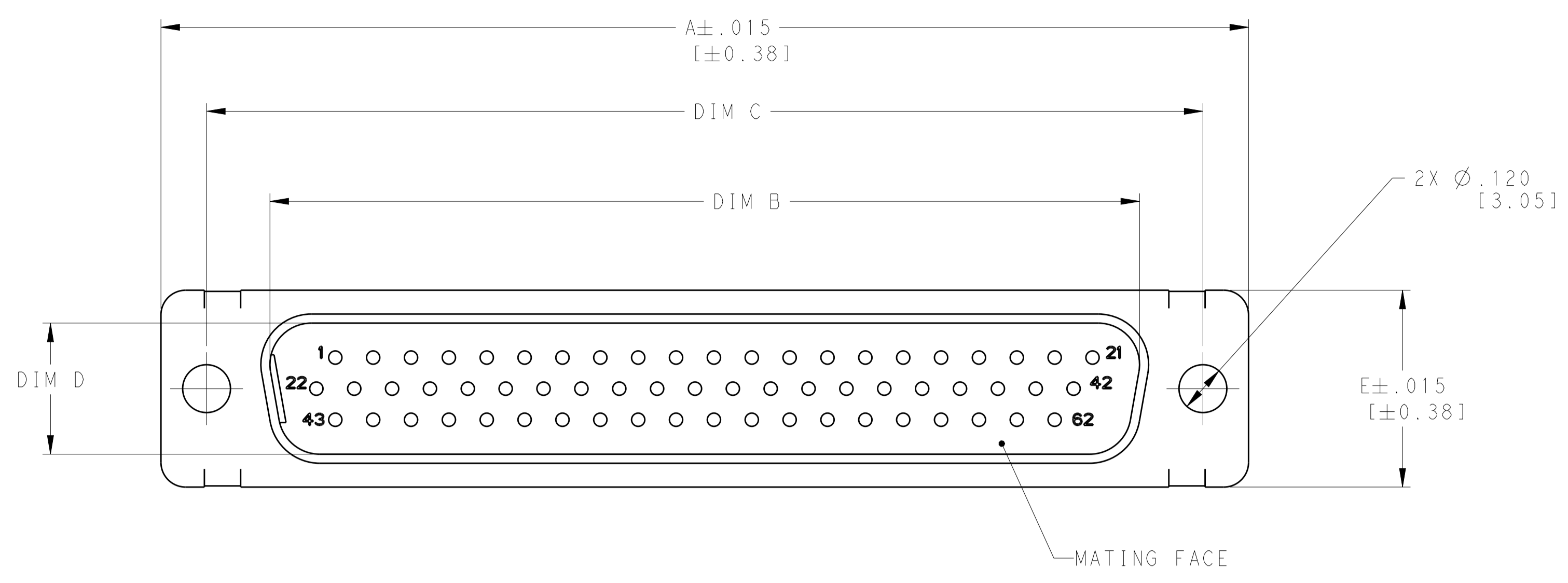


REVISIONS				
REV	LTN	DESCRIPTION	DATE	APVD
B	REV PER ECO	18-019704	1-16-19	CT DM



2335891-4 SHOWN

- THIS ASSEMBLY IS DESIGNED TO CONFORM TO THE LATEST ISSUE OF MIL-DTL-24308
- METAL RETENTION CLIPS ARE INCLUDED IN INSERTS.
- THIS PLUG WILL ACCEPT SIZE 22 PIN CONTACTS M39029/58-360 TE CONNECTIVITY PART NO. 204370-2. CONTACTS ARE NOT INCLUDED AND MUST BE ORDERED SEPARATELY.

△ MARKED WITH .047-.062 HIGH CHARACTERS. FAR SIDE REFERS TO THE WIDE SIDE OF THE KEYSTONE. NEAR SIDE REFERS TO THE NARROW SIDE OF THE KEYSTONE. IF THE REAR SHELL IS TOO SMALL FOR TE, TE PART NUMBER AND DATE CODE, THEN SPLIT AS FOLLOWS:
 A: TE PART ON REAR SHELL, NEAR SIDE
 B: TE AND DATE CODE ON REAR SHELL, FAR SIDE

DATE CODE IS FOUR DIGITS. FIRST TWO DIGITS REFER TO THE YEAR AND SECOND TWO DIGITS REFER TO THE WEEK.

2335893-6	.426 [10.82]	.230 [5.84]	.668 [16.97]	.503 [12.78]	2.500 [63.50]	2.212 [55.18]	2.729 [69.32]	104	6	2335891-6
2335893-5	.426 [10.82]	.230 [5.84]	.605 [15.37]	.441 [11.20]	2.406 [61.11]	2.079 [52.81]	2.635 [66.93]	78	5	2335891-5
2335893-4	.426 [10.82]	.230 [5.84]	.494 [12.55]	.329 [8.36]	2.500 [63.50]	2.182 [55.42]	2.729 [69.32]	62	4	2335891-4
2335893-3	.426 [10.82]	.230 [5.84]	.494 [12.55]	.329 [8.36]	1.852 [47.04]	1.534 [38.96]	2.088 [53.03]	44	3	2335891-3
2335893-2	.422 [10.72]	.233 [5.92]	.494 [12.55]	.329 [8.36]	1.312 [33.32]	.994 [25.25]	1.541 [39.14]	26	2	2335891-2
2335893-1	.422 [10.72]	.233 [5.92]	.494 [12.55]	.329 [8.36]	.984 [24.99]	.666 [16.92]	1.213 [30.81]	15	1	2335891-1
TE MATING PART NUMBER	DIM G	DIM F	DIM E	DIM D	DIM C	DIM B	DIM A	NUMBER OF POSITIONS	SHELL SIZE	TE PART NO.

THIS DRAWING IS A CONTROLLED DOCUMENT. DWN: C.C. THOMAS 21AUG2018
 CHK: D. MILLER 8-21-18
 APVD: D. MILLER 8-21-18

DIMENSIONS: INCHES [mm]

TOLERANCES UNLESS OTHERWISE SPECIFIED:
 0 PLC ±
 1 PLC ±
 2 PLC ±
 3 PLC ±.005 (0.13)
 4 PLC ±
 ANGLES ±

MATERIAL: FINISH:

WEIGHT: CUSTOMER DRAWING

NAME: PLUG ASSEMBLY, SIZE 1 THRU 6 SERIES 90, AMPLIMITE

SIZE: A1 CAGE CODE: 2335891 DRAWING NO: 100779

RESTRICTED TO: SCALE 4:1 SHEET 1 OF 1 REV B