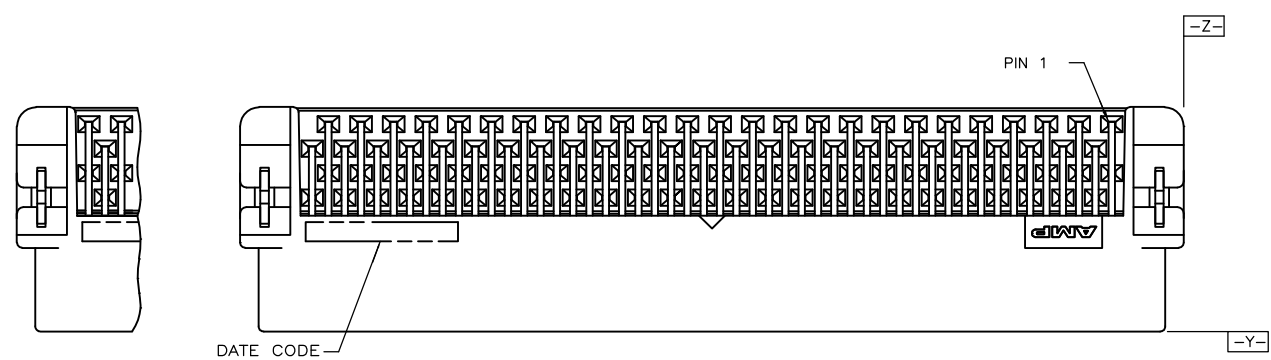
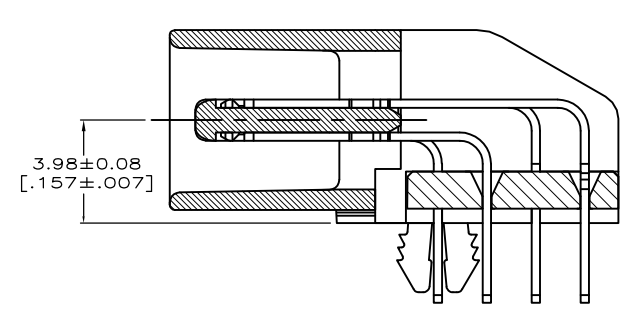


THIS DRAWING IS UNPUBLISHED. RELEASED FOR PUBLICATION
 © COPYRIGHT - By - ALL RIGHTS RESERVED.

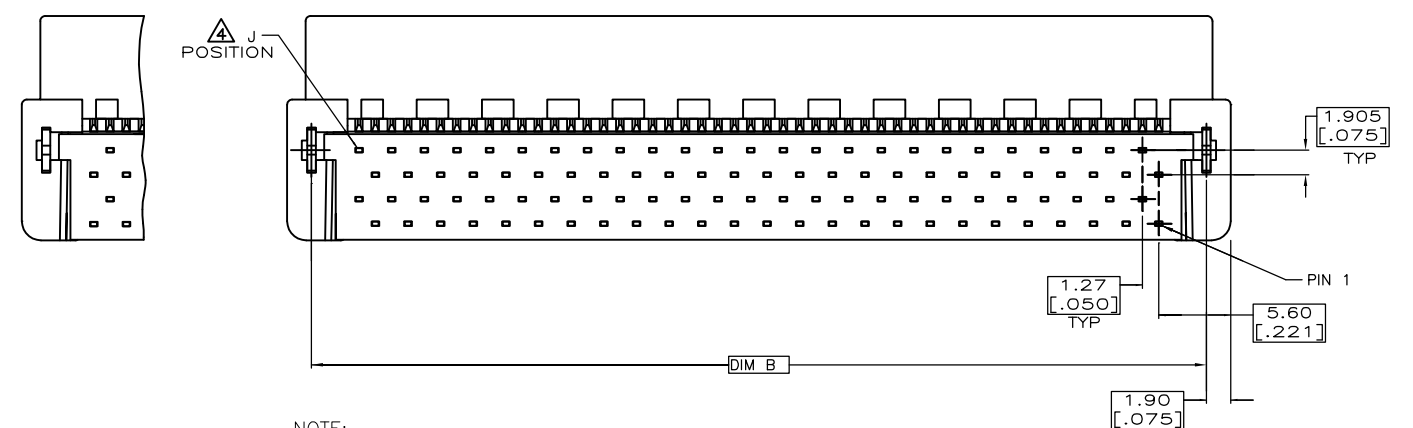
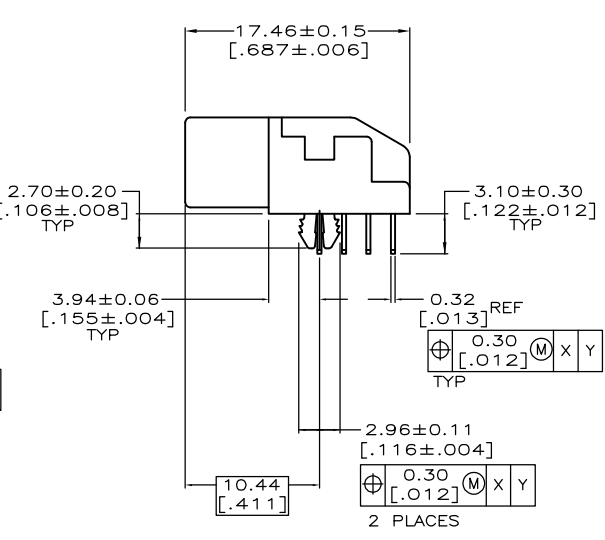
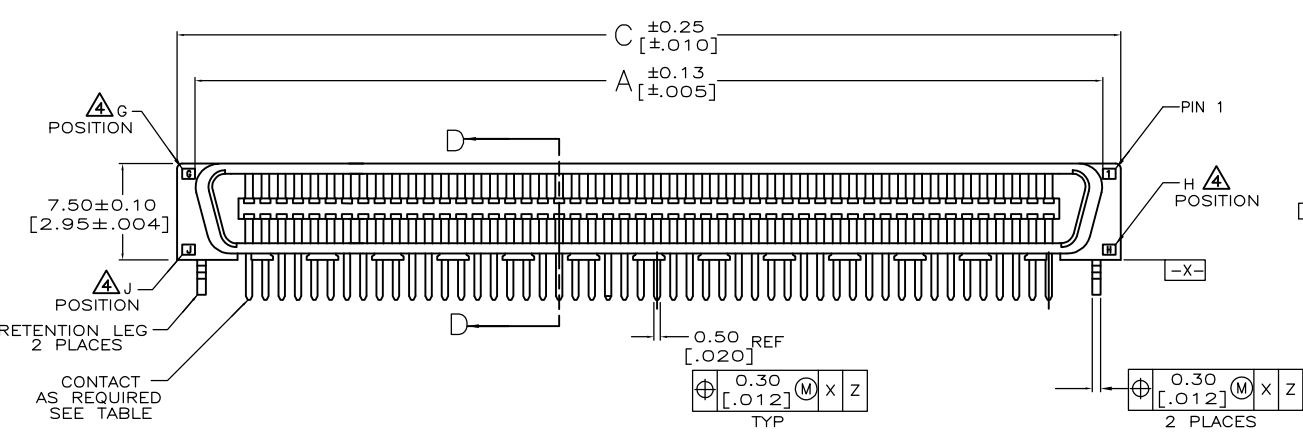
LOC		DIST		REVISIONS					
DW				P	LTR	DESCRIPTION	DATE	DWN	APVD
					E1	REVISED. ECR-12-013026	22MAR13	K.M	E.T



FOR 50 AND 130 POSITIONS ONLY FOR 40, 60, 68, 80, 100, 120, 140, 160, 180 AND 200 POSITIONS ONLY



SECTION D-D SCALE 8:1



NOTE:
 1. MATERIAL:
 HOUSING: LCP, UL 94V-0, BLACK COLOR.
 CONTACTS: PHOSPHOR BRONZE.
 BOARDLOCKS: BRASS.
 FINISH:
 CONTACTS: (SEE TABLE) GOLD PLATED ON CONTACT AREA,
 3.81µm [150µ"] MIN. MATTE-TIN ON SOLDERTAIL, OVER
 1.27µm [50µ"] MIN. NICKEL UNDERPLATED.
 BOARDLOCKS: 3.81µm [150µ"] MIN. TIN-Cu OVER
 1.27µm [50µ"] MIN. UNDERPLATED.
 3. WAVE SOLDER CAPABLE TO 265°C PER TEST SPEC.
 109-202, CONDITION B.
 G, J, H INDICATE NUMBER OF POSITION MARKED ON ASSEMBLY.
 ALSO SEE TABLE.
 GOLD FLASH OVER
 0.762µm [30µ"] MIN. PALLADIUM-NICKEL PLATED.

E1	OBSOLETE	DIMENSIONS (mm)			SIZE	CAGE CODE	DRAWING NO	RESTRICTED TO
		C	B	A				
		136.93 [5.891]	133.13 [5.241]	134.07 [5.278]	100	200	101	
								GOLD FLASH
								5-1734099-8
								0.381µm [15µ"]
								3-1734099-8
								1-1734099-8
								GOLD FLASH
								5-1734099-6
								0.381µm [15µ"]
								3-1734099-6
								1-1734099-6
								GOLD FLASH
								5-1734099-4
								0.381µm [15µ"]
								3-1734099-4
								1-1734099-4
								GOLD FLASH
								5-1734099-2
								0.381µm [15µ"]
								3-1734099-2
								1-1734099-2
								GOLD FLASH
								5-1734099-0
								0.381µm [15µ"]
								3-1734099-0
								1-1734099-0
								GOLD FLASH
								5-1734099-8
								0.381µm [15µ"]
								2-1734099-8
								1734099-8
								GOLD FLASH
								4-1734099-7
								0.381µm [15µ"]
								2-1734099-7
								1734099-7
								GOLD FLASH
								4-1734099-6
								0.381µm [15µ"]
								2-1734099-6
								1734099-6
								GOLD FLASH
								4-1734099-5
								0.381µm [15µ"]
								2-1734099-5
								1734099-5
								GOLD FLASH
								4-1734099-4
								0.381µm [15µ"]
								2-1734099-4
								1734099-4
								GOLD PLATED
								PART NUMBER
								POS.

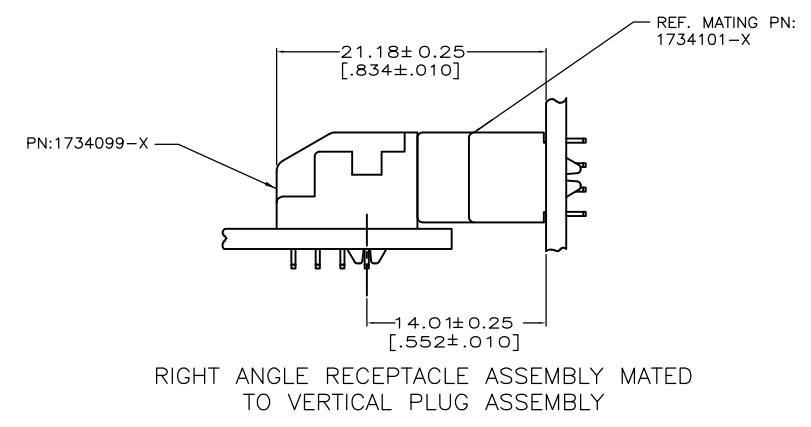
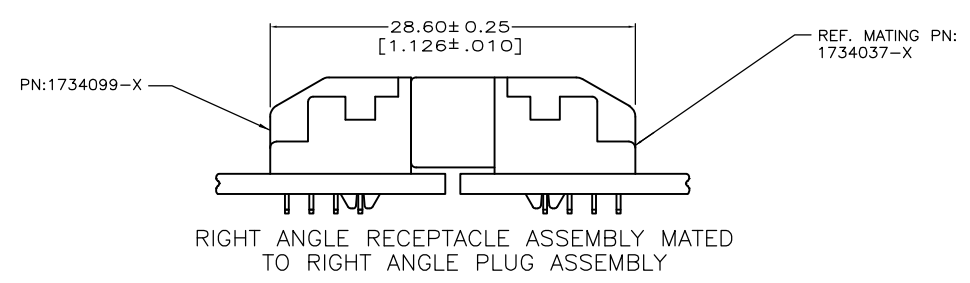
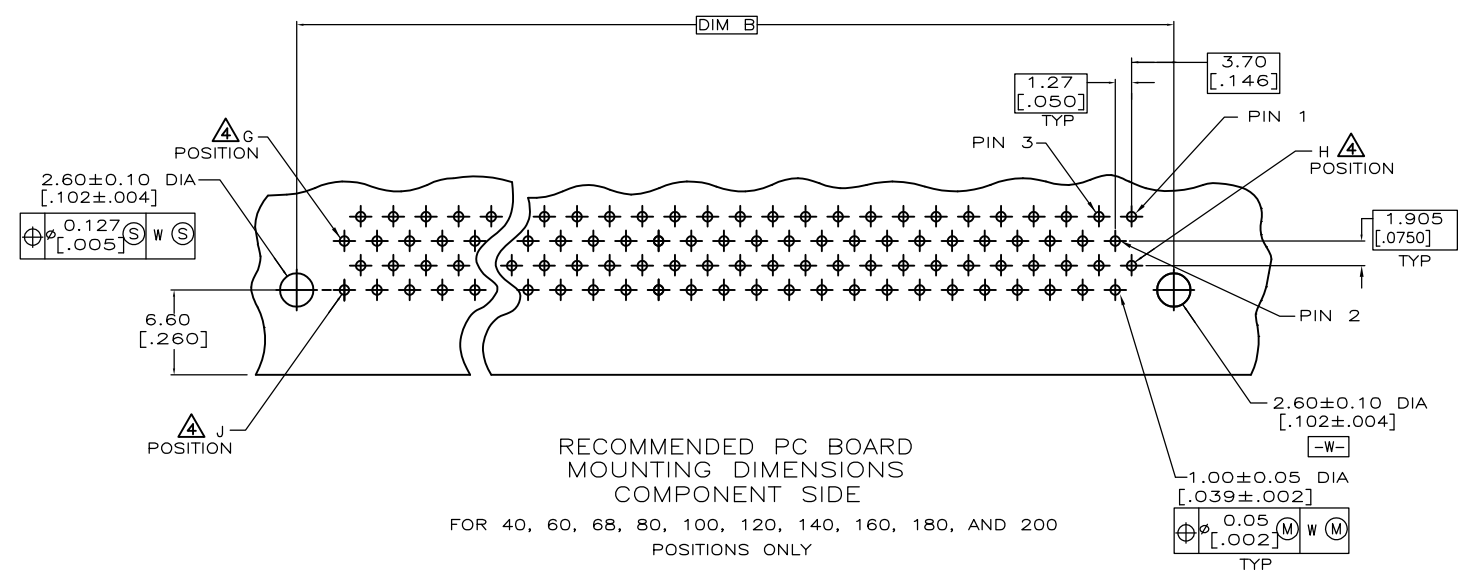
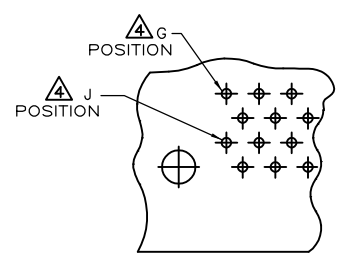
THIS DRAWING IS A CONTROLLED DOCUMENT.

DIMENSIONS: mm	TOLERANCES UNLESS OTHERWISE SPECIFIED:	DWN F. YANG 31MAR2009	 TE Connectivity PLUG ASSEMBLY, R/A, BTB, CHAMP .050, SERIES I
		CHK S. CHIEN 31MAR2009	
		APVD W. KODAMA 31MAR2009	
		NAME	
		PRODUCT SPEC	
		108-57876	
		APPLICATION SPEC	
MATERIAL SEE NOTE	FINISH SEE NOTE	WEIGHT -	SIZE A3
			CAGE CODE 00779
			DRAWING NO C-1734099
			RESTRICTED TO -
			SCALE -
			SHEET 1 OF 4
			REV E1

CUSTOMER DRAWING

THIS DRAWING IS UNPUBLISHED. RELEASED FOR PUBLICATION
 © COPYRIGHT - By - ALL RIGHTS RESERVED.

LOC DW	DIST /	REVISIONS		
P	LTR	DESCRIPTION	DATE	DWN
		SEE SHEET 1	-	-



THIS DRAWING IS A CONTROLLED DOCUMENT.		DWN	TE Connectivity		
DIMENSIONS: mm		CHK	NAME		
		APVD	PLUG ASSEMBLY, R/A, BTB, CHAMP .050, SERIES I		
TOLERANCES UNLESS OTHERWISE SPECIFIED:		PRODUCT SPEC	SIZE	CAGE CODE	DRAWING NO
0 PLC	± -	APPLICATION SPEC	A3	00779	C-1734099
1 PLC	± -	WEIGHT	RESTRICTED TO		
2 PLC	± -		CUSTOMER DRAWING		
3 PLC	± -		SCALE	SHEET	REV
4 PLC	± -		-	2 OF 4	E1
ANGLES	± -				
MATERIAL	FINISH				

THIS DRAWING IS UNPUBLISHED.

RELEASED FOR PUBLICATION

ALL RIGHTS RESERVED.

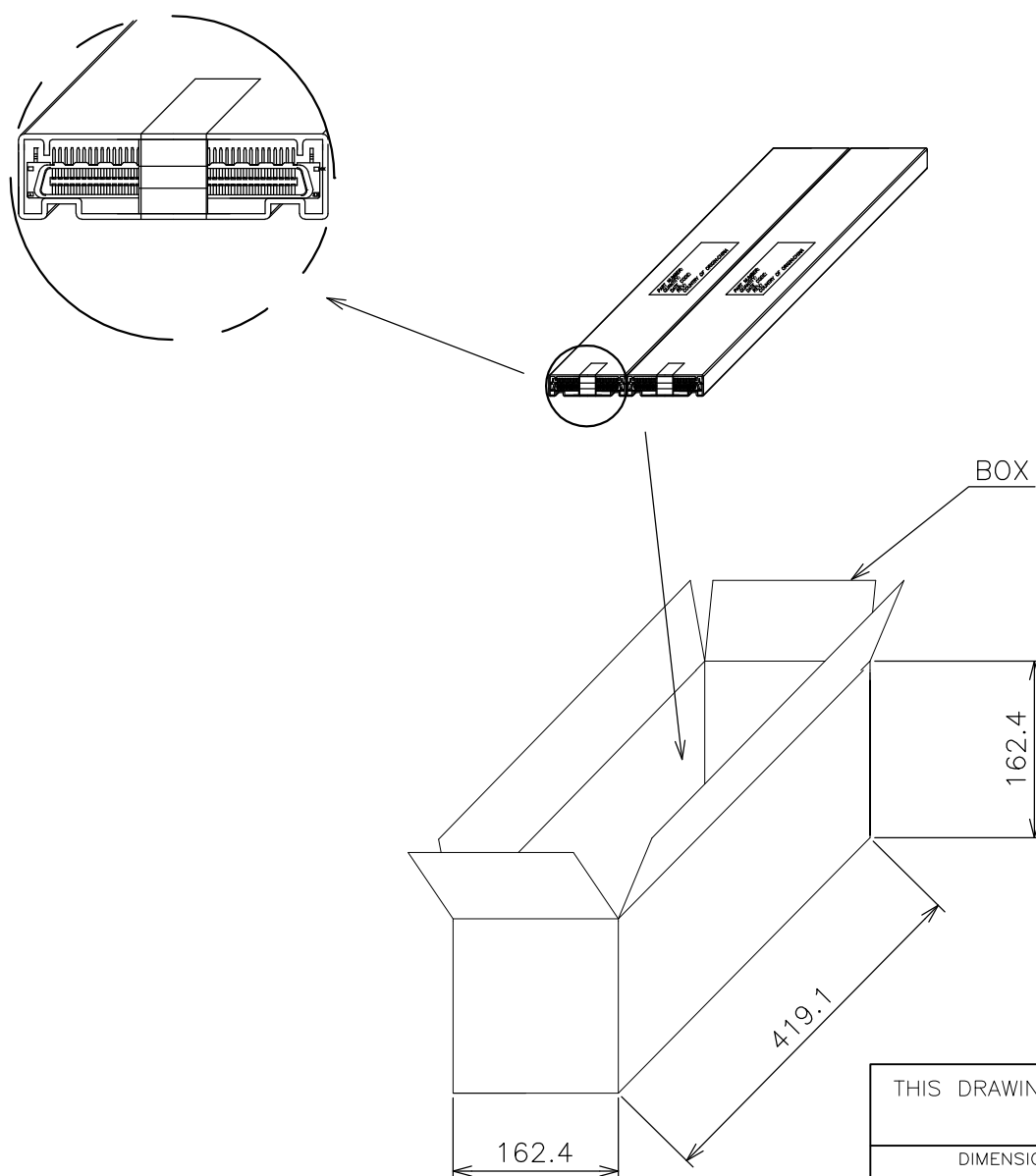
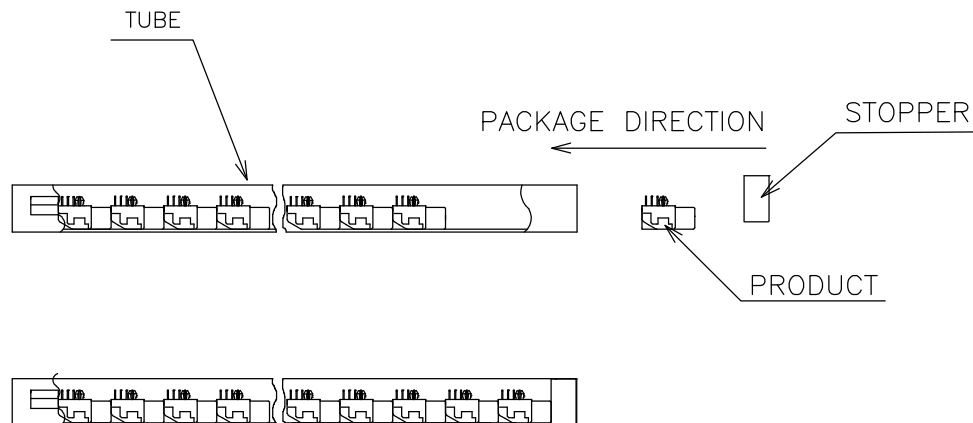
© COPYRIGHT - By -

LOC
DW

DIST
-

REVISIONS

P	LTR	DESCRIPTION	DATE	DWN	APVD
-	-	SEE SHEET 1	-	-	-



POS.	Q'TY/ TUBE	TUBE/ BOX	Q'TY/ BOX	N/W (KG)	G/W (KG)	PART NUMBER
100	21	16	336	2.60	3.44	5-1734099-0 3-1734099-0 1-1734099-0
80	21	16	336	2.15	3.00	4-1734099-8 2-1734099-8 1734099-8

THIS DRAWING IS A CONTROLLED DOCUMENT.		DWN		TE Connectivity PLUG ASSEMBLY, R/A, BTB, CHAMP .050, SERIES I			
DIMENSIONS: mm		TOLERANCES UNLESS OTHERWISE SPECIFIED:				NAME	
		0 PLC ± - 1 PLC ± - 2 PLC ± - 3 PLC ± - 4 PLC ± - ANGLES ± -				PRODUCT SPEC	
MATERIAL		FINISH				APPLICATION SPEC	
				SIZE			
				CAGE CODE			
				DRAWING NO			
				RESTRICTED TO			
				A3 00779 C-1734099			
				SCALE			
				SHEET			
				3 OF 4			
				REV			
				E1			

4

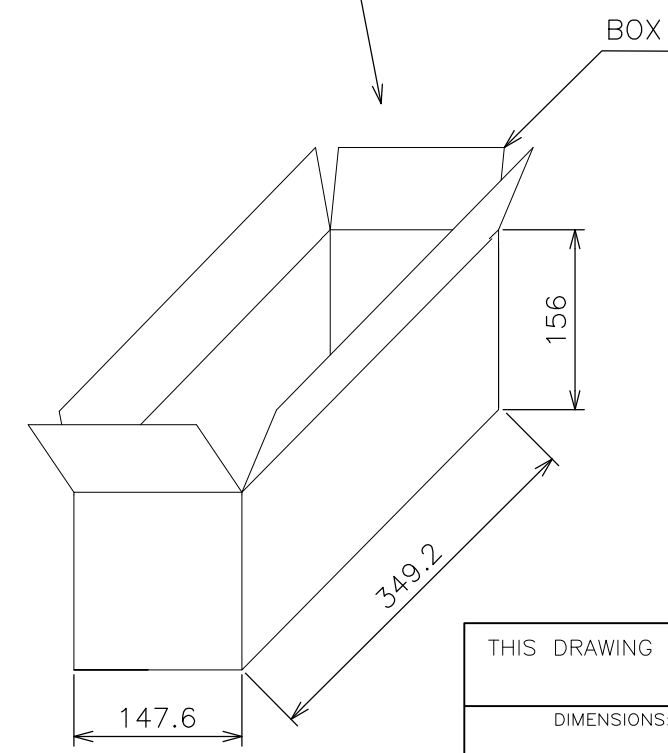
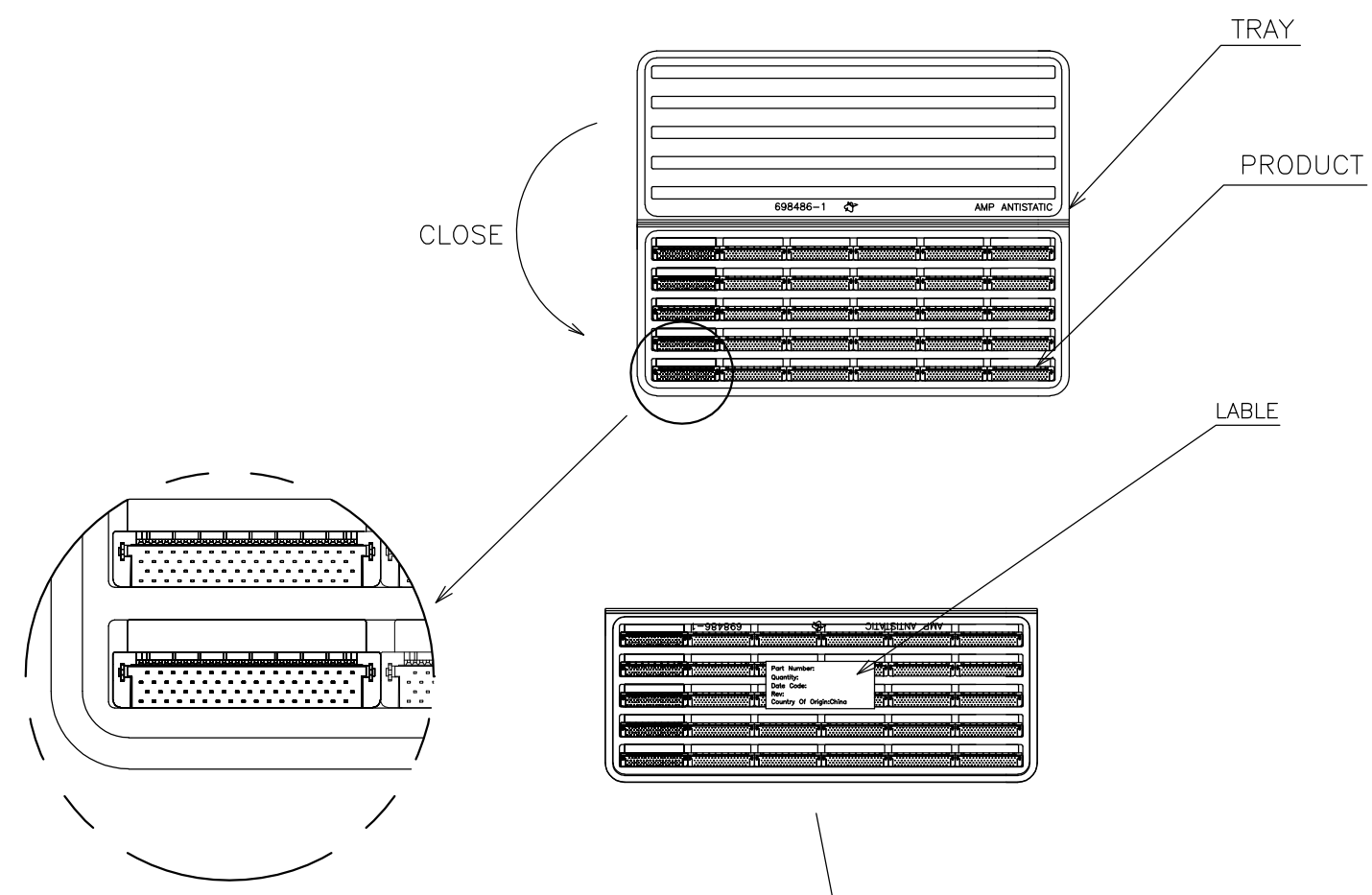
3

2

1

THIS DRAWING IS UNPUBLISHED. RELEASED FOR PUBLICATION
 © COPYRIGHT - By - ALL RIGHTS RESERVED.

LOC	DIST	REVISIONS				
P	LTR	DESCRIPTION	DATE	DWN	APVD	
	-	SEE SHEET 1	-	-	-	



POS.	Q'TY/ TRAY	TRAY/ BOX	Q'TY/ BOX	N/W (KG)	G/W (KG)	PART NUMBER	
E1	200	10	10	100	1.40	2.35	5-1734099-8
							3-1734099-8
							1-1734099-8
E1	160	10	10	100	1.18	2.13	5-1734099-6
							3-1734099-6
							1-1734099-6
E1	140	15	10	150	1.59	2.46	5-1734099-4
							3-1734099-4
							1-1734099-4
E1	120	15	10	150	1.20	2.15	5-1734099-2
							3-1734099-2
							1-1734099-2
E1	68	30	10	300	1.69	2.64	4-1734099-7
							2-1734099-7
							1734099-7
E1	60	30	10	300	1.53	2.48	4-1734099-6
							2-1734099-6
							1734099-6
E1	50	35	10	350	1.58	2.56	4-1734099-5
							2-1734099-5
							1734099-5
E1	40	45	10	450	1.71	2.66	4-1734099-4
							2-1734099-4
							1734099-4

THIS DRAWING IS A CONTROLLED DOCUMENT.

DIMENSIONS: mm	TOLERANCES UNLESS OTHERWISE SPECIFIED: 0 PLC ± - 1 PLC ± - 2 PLC ± - 3 PLC ± - 4 PLC ± - ANGLES ± -	DWN - CHK - APVD - PRODUCT SPEC - APPLICATION SPEC - WEIGHT -	TE Connectivity PLUG ASSEMBLY, R/A, BTB, CHAMP .050, SERIES I	
MATERIAL	FINISH	SIZE A3 CAGE CODE 00779 DRAWING NO C-1734099	RESTRICTED TO	
CUSTOMER DRAWING		SCALE -	SHEET 4 OF 4	REV E1