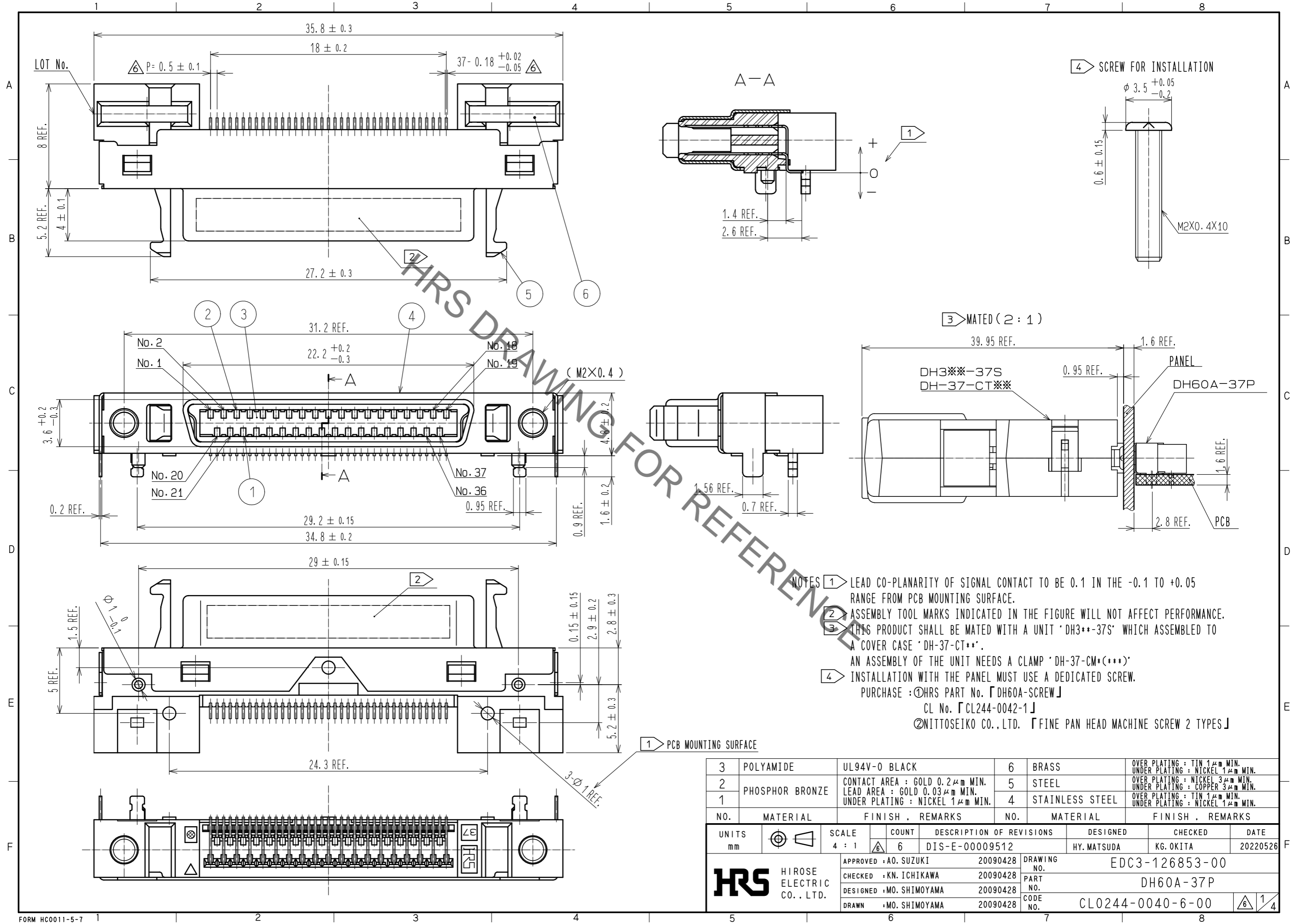


Apr.1.2023 Copyright 2023 HIROSE ELECTRIC CO., LTD. All Rights Reserved.  
 In case of consideration for using Automotive equipment / device which demand high reliability, kindly contact our sales window correspondents.



NO.	MATERIAL	FINISH . REMARKS	NO.	MATERIAL	FINISH . REMARKS
3	POLYAMIDE	UL94V-0 BLACK	6	BRASS	OVER PLATING : TIN 1μm MIN. UNDER PLATING : NICKEL 1μm MIN.
2	PHOSPHOR BRONZE	CONTACT AREA : GOLD 0.2μm MIN. LEAD AREA : GOLD 0.03μm MIN. UNDER PLATING : NICKEL 1μm MIN.	5	STEEL	OVER PLATING : NICKEL 3μm MIN. UNDER PLATING : COPPER 3μm MIN.
1			4	STAINLESS STEEL	OVER PLATING : TIN 1μm MIN. UNDER PLATING : NICKEL 1μm MIN.

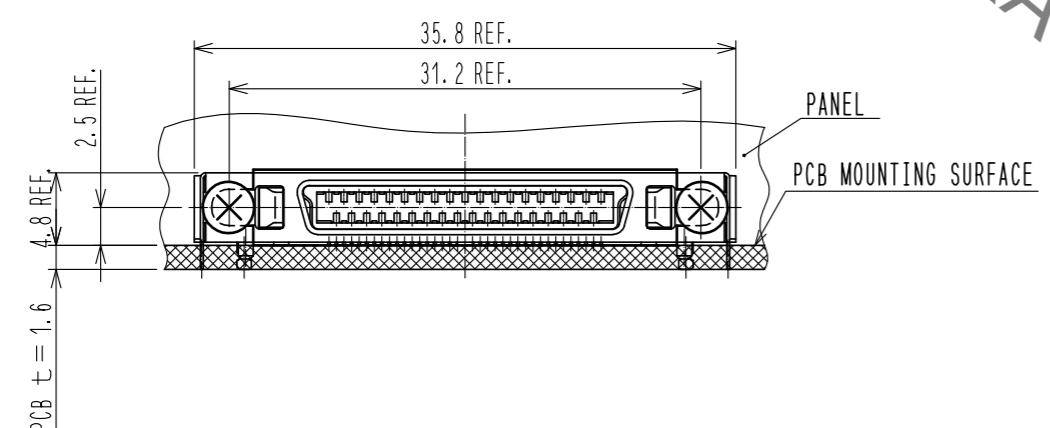
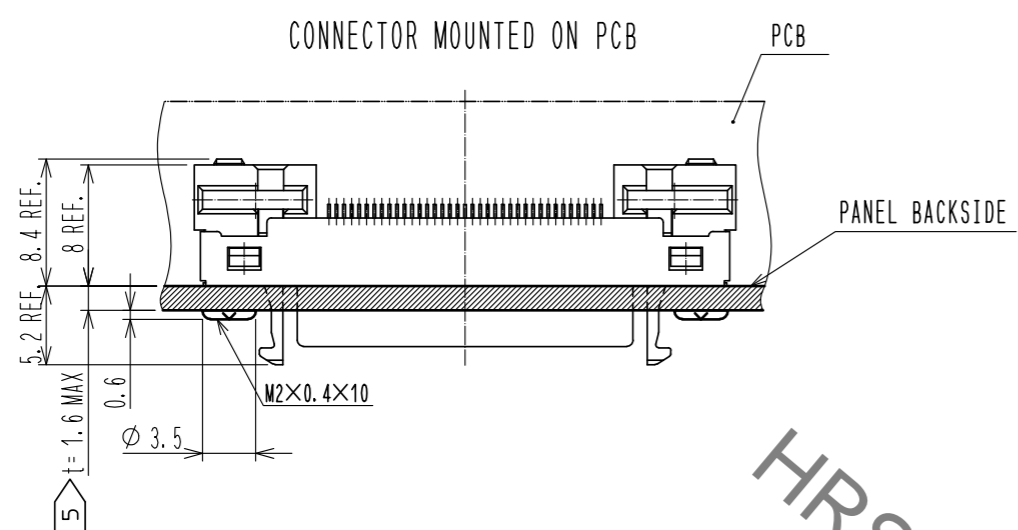
  

UNITS	SCALE	COUNT	DESCRIPTION OF REVISIONS	DESIGNED	CHECKED	DATE
mm	4 : 1	6	DIS-E-00009512	HY. MATSUDA	KG. OKITA	20220526

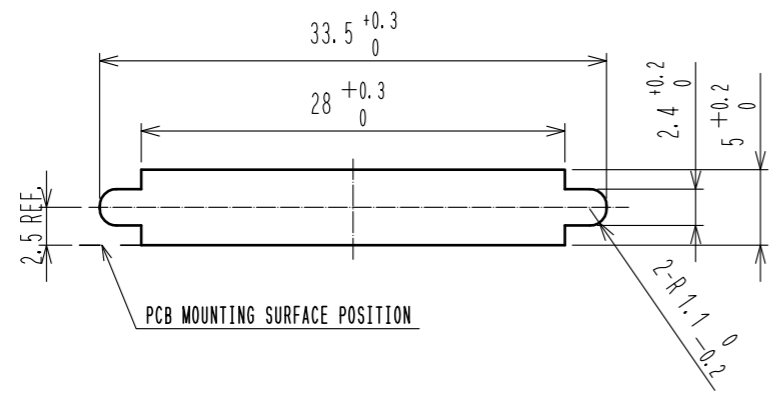
  

APPROVED	CHECKED	DESIGNED	DRAWN	DRAWING NO.	PART NO.	CODE NO.
A0. SUZUKI	KN. ICHIKAWA	MO. SHIMOYAMA	MO. SHIMOYAMA	EDC3-126853-00	DH60A-37P	CL0244-0040-6-00
20090428	20090428	20090428	20090428			

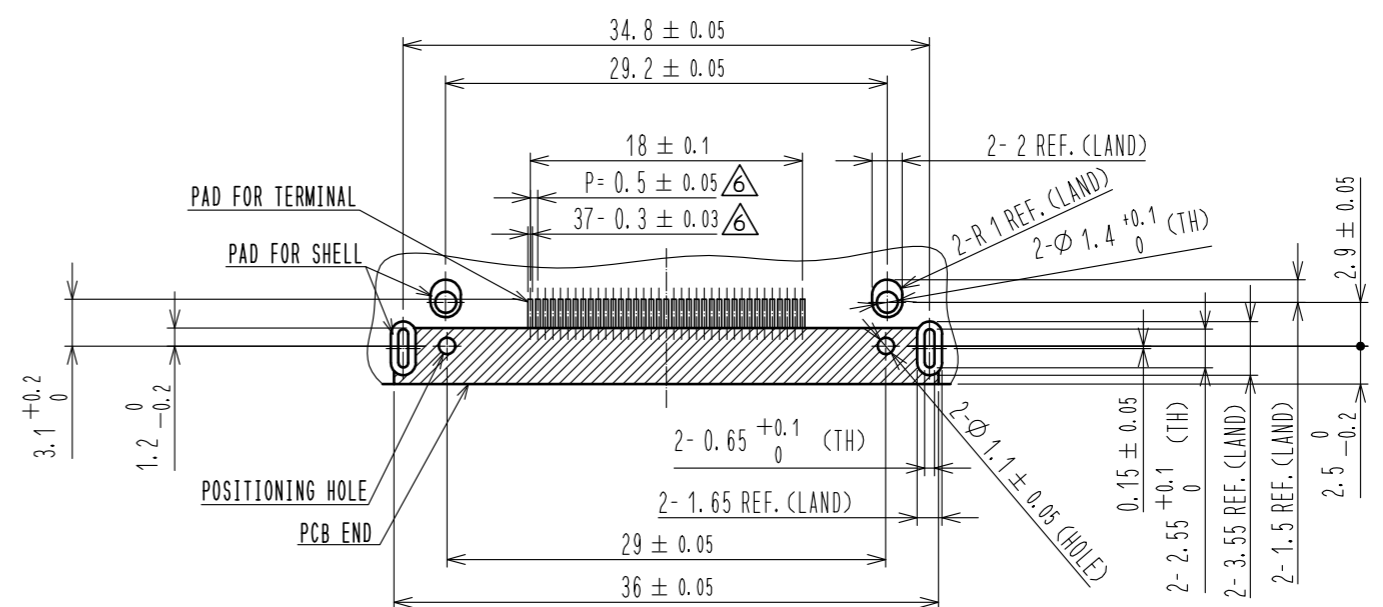
Apr.1.2023 Copyright 2023 HIROSE ELECTRIC CO., LTD. All Rights Reserved.  
 In case of consideration for using Automotive equipment / device which demand high reliability, kindly contact our sales window correspondents.



PANEL CUTOUT FOR REFERENCE  
 (THE DIMENSION IS SPECIFIED BASED ON THE CENTER OF THE CONNECTOR INTERFACE)

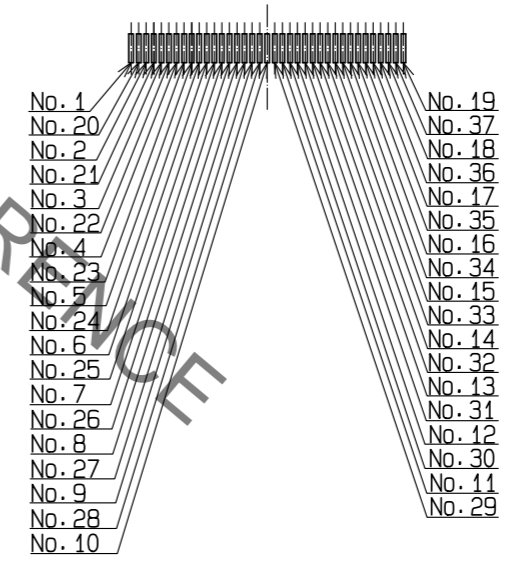


PCB LAYOUT FOR REFERENCE (MOUNTING SURFACE SIDE)



▨ : PATTERN PROHIBITION AREA

TERMINAL No. CHART



NOTE 5 PANEL THICKNESS IS 1.6mm MAX.

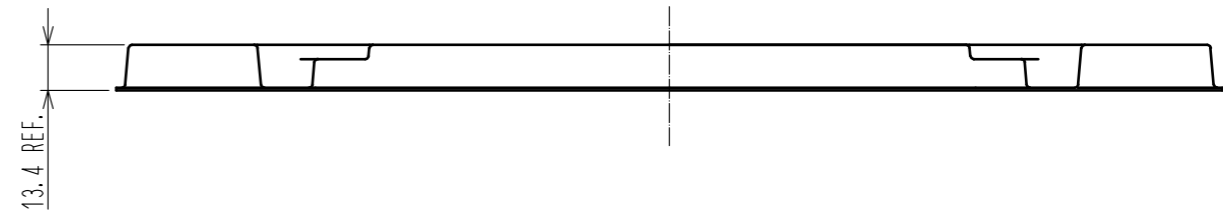
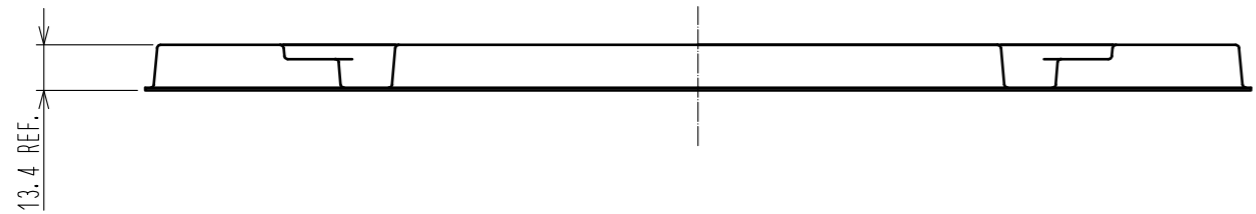
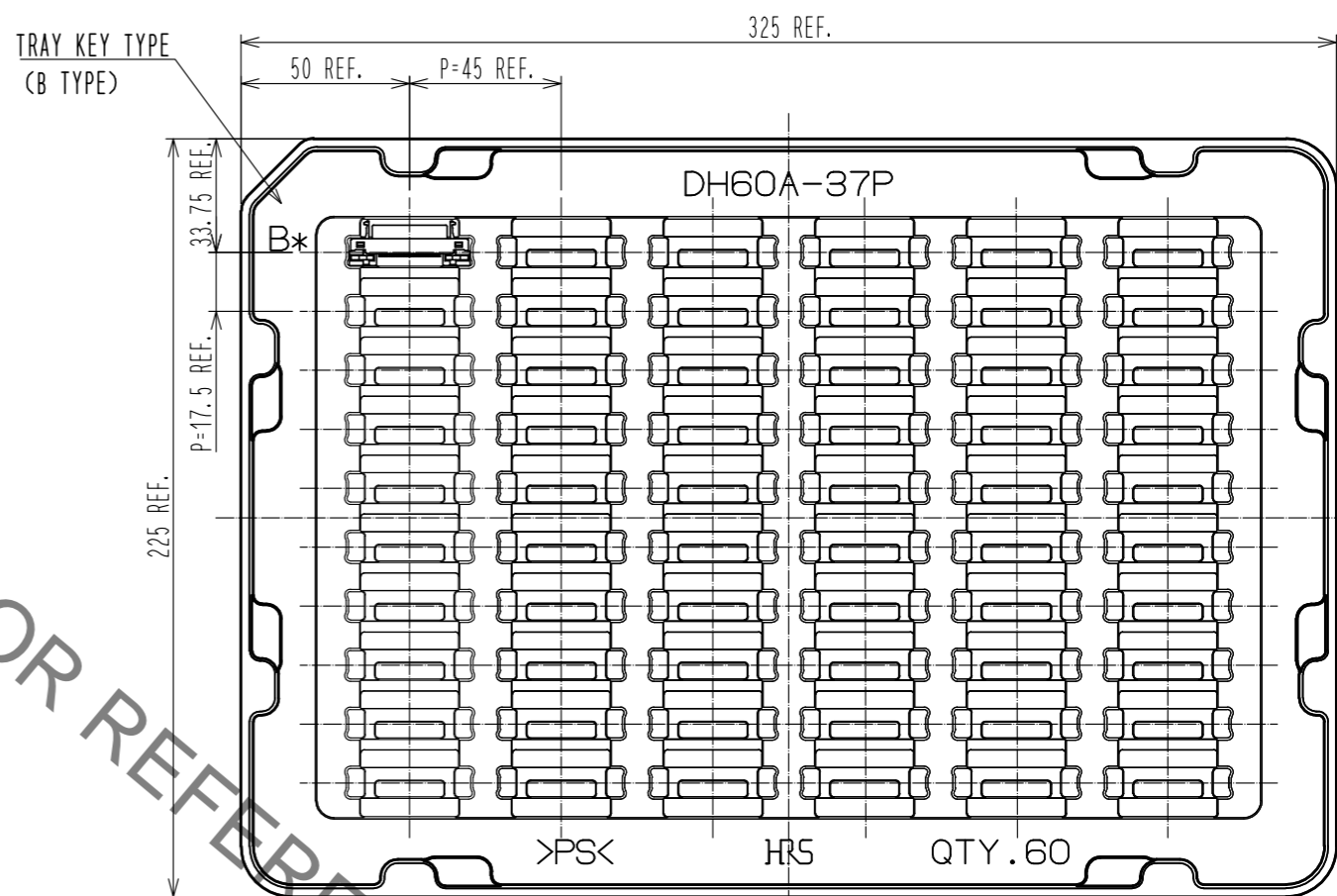
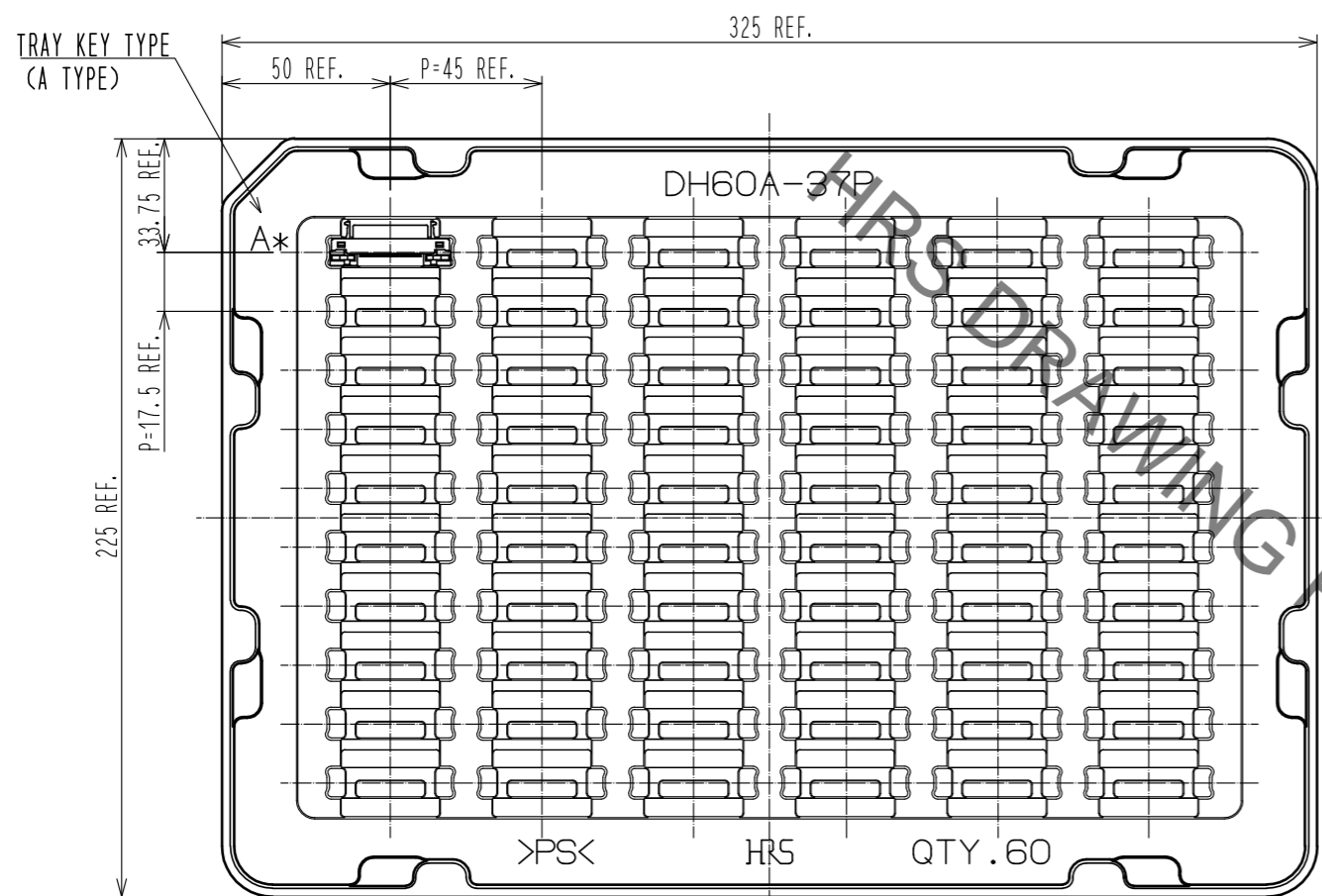
HRS DRAWING FOR REFERENCE

<b>HRS</b>	DRAWING NO.	EDC3-126853-00
	PART NO.	DH60A-37P
	CODE NO.	CLO244-0040-6-00

6/2/4

Apr.1.2023 Copyright 2023 HIROSE ELECTRIC CO., LTD. All Rights Reserved.  
In case of consideration for using Automotive equipment / device which demand high reliability, kindly contact our sales window correspondents.

# DRAWING FOR PACKING(FREE)

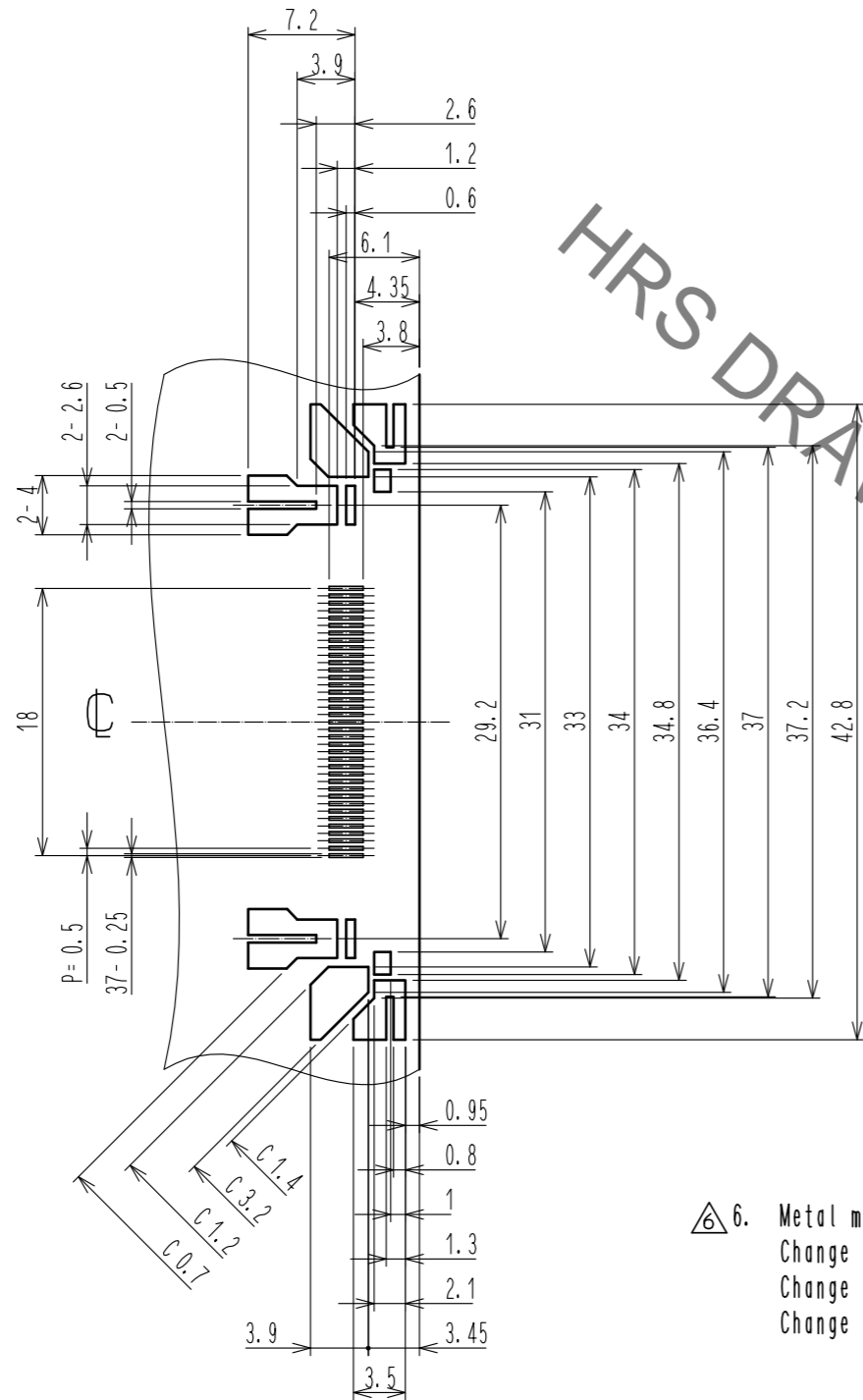


※TRAYS. A TYPE AND B TYPE, ARE PILED UP ALTERNATELY.

<b>HRS</b>	DRAWING NO.	EDC3-126853-00
	PART NO.	DH60A-37P
	CODE NO.	CL0244-0040-6-00
		3/4

Apr.1.2023 Copyright 2023 HIROSE ELECTRIC CO., LTD. All Rights Reserved.  
In case of consideration for using Automotive equipment / device which demand high reliability, kindly contact our sales window correspondents.

△ REFERENCE METAL MASK LAYOUT(2:1)  
(t=0.15)



GENERAL TOLERANCE IS ±0.05

△ 6. Metal mask dimensions of the drawings described, are reference dimensions for 0.15 mm thickness metal mask.  
Change the metal mask dimensions by thickness of the metal mask, thickness of PCB, component of solder paste and mounting conditions.  
Change the metal mask dimensions in case of mounting DH\*\*\*P in parallel.  
Change the metal mask dimensions, if there are other mounting parts or implementation pattern around the portion of mounting position of DH\*\*\*P.

<b>HRS</b>	DRAWING NO.	EDC3-126853-00
	PART NO.	DH60A-37P
	CODE NO.	CL0244-0040-6-00
		△ 4/4