

### AM Superhet receiver with crystal oscillator 433.92MHz

**RCRX-434** is an AM superhet data receiver with PLL synthesizer and crystal oscillator. ASK/OOK modulation. Metallic shield.

RCRX-434 ---> 5 Volt version.

RCRX-434-L ---> 3 Volt version.



*On request is possible to customize the frequency.*

#### Technical Characteristics

Characteristics	MIN	TYP	MAX	UNIT
V <sub>cc</sub> Supply Voltage	3.0 / 4.4		3.6 / 5.0	Vdc
I <sub>s</sub> Current Consumption ( RX mode )		5.5		mA
I <sub>s</sub> Current Consumption (Shut down mode)		1		μA
S RF Sensitivity		-108		dBm
D Max Data Rate		10		Kbit/s
B RF Bandwidth 3dB		600		KHz
T Operating Temperature Range	-20		+80	°C

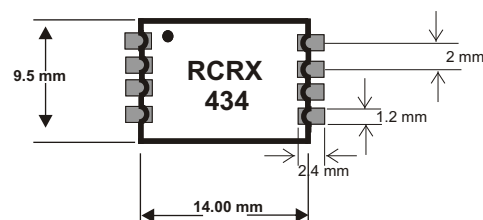
#### Pin Description

Pads	Name	Description
1	ANT	External antenna
2,3	GND	Ground
4	PD	Power Down
5	DOUT	Data Out
6,7	GND	Ground
8	VCC	Power Supply

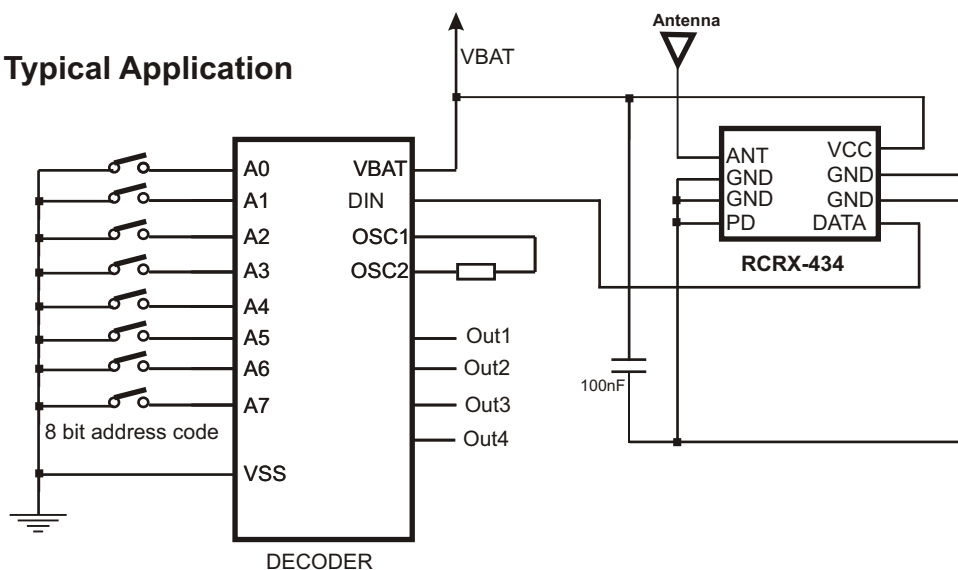


PD = 0V ----> RX ON  
PD = 5V ----> RX OFF

#### Mechanical dimensions



#### Typical Application



#### Applications :

- Wireless security systems
- Home and building automation
- Automatic Measure Reading
- Wireless Sensor Network

**ETSI EN 300 220  
COMPLIANCE**