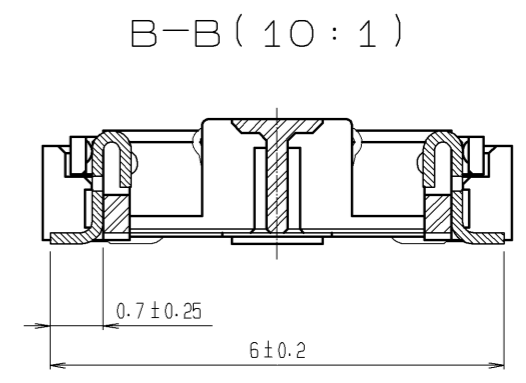
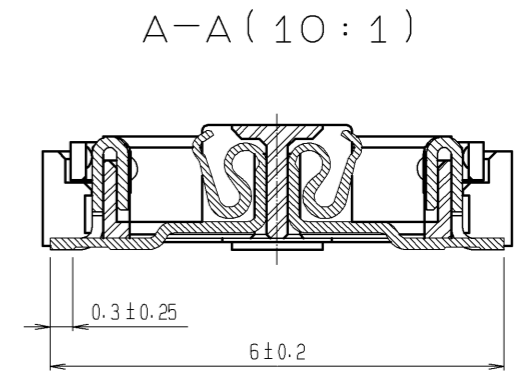
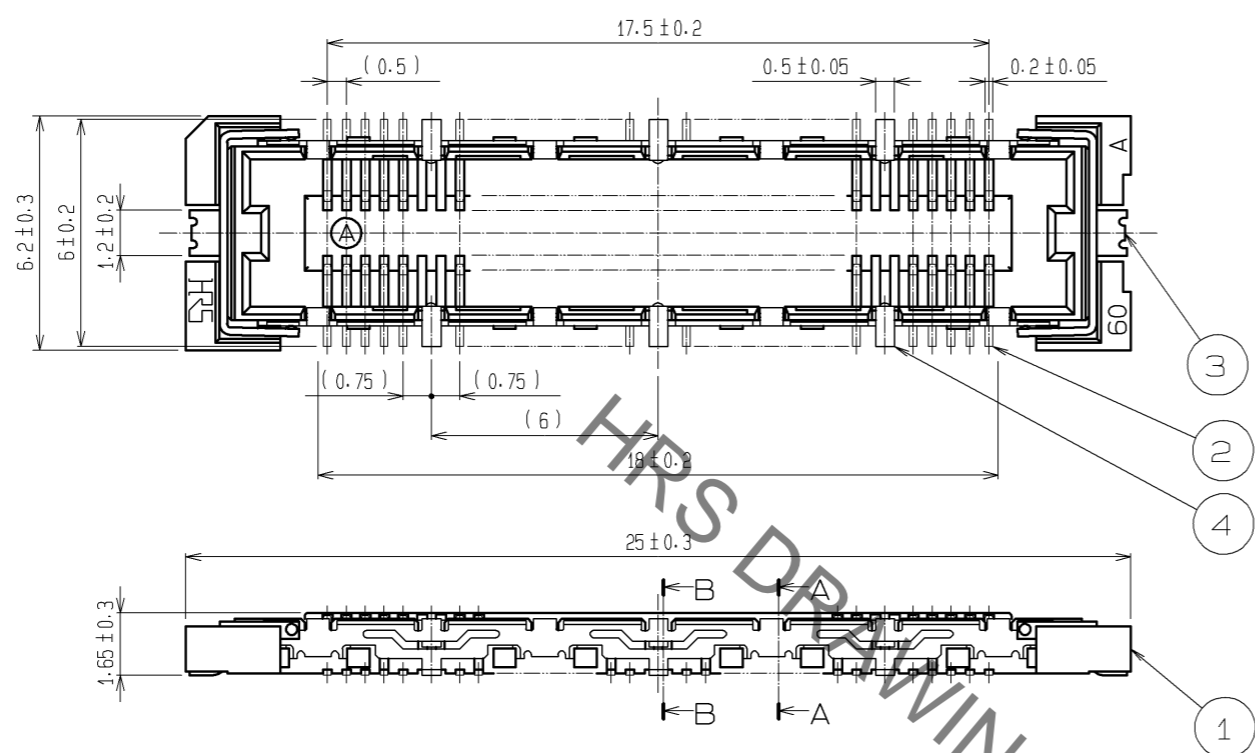
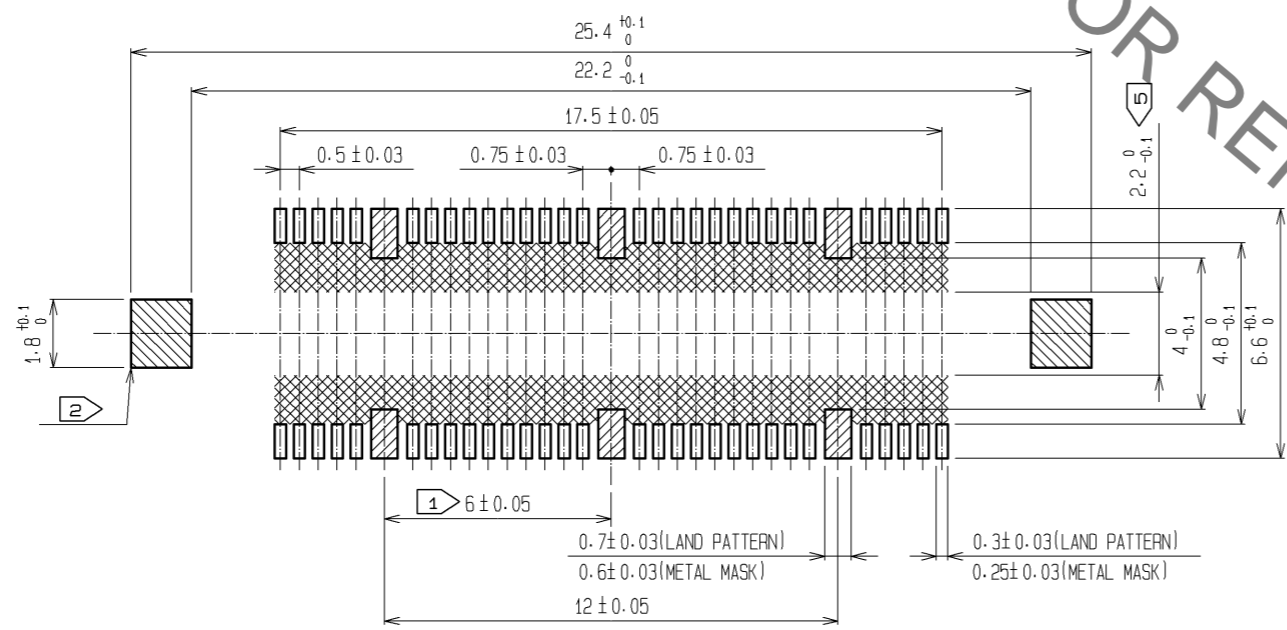


May.1.2023 Copyright 2023 HIROSE ELECTRIC CO., LTD. All Rights Reserved.
 In case of consideration for using Automotive equipment / device which demand high reliability, kindly contact our sales window correspondents.



RECOMMENDED LAND PATTERN DIMENSION OF PCB



- NOTES
- ① 6 HATCHED PARTS:GROUND CIRUIT.
 - ② 2 HATCHED PARTS:GROUND CIRUIT.
 - ③ SMT LEAD-COPLANARITY:0.1 MAX.
 - ④ THIS PRODUCT HAS NO POLARITY TO PATTERN FOR MOUNTING.
 - ⑤ MAKE SURE WIDTH OF PATTERN IS WITHIN THAT OF LAND .OR LEAD MAY TOUCH PATTERN. (THIS APPLIES TO HATCHED AREA.)
 - ⑥ THE DIMENSIONS IN PARENTHESES ARE FOR REFERENCE.

1	LCP	BEIGE	UL94V-0	4	PHOSPHOR BRONZE	TIN PLATING		
NO.	MATERIAL	FINISH	REMARKS	NO.	MATERIAL	FINISH . REMARKS		
				3	PHOSPHOR BRONZE	TIN PLATING		
				2	PHOSPHOR BRONZE	CONTACT AREA : GOLD 0.1μm min.		
						LEAD AREA : GOLD FLASH		
						UNDER PLATING : NICKEL 1μm min.		
UNITS		SCALE	COUNT	DESCRIPTION OF REVISIONS		DESIGNED	CHECKED	DATE
mm		5 : 1						
HRS HIROSE ELECTRIC CO., LTD.		APPROVED : HS. OKAWA	07.08.31	DRAWING NO.		EDC3-152112-25		
		CHECED : HS. OZAWA	07.08.31	PART NO.		FX11LB-60S/6-SV(71)		
		DESIGNED : TS. MIYAKI	07.08.30	CODE NO.		CL573-0112-5-71		
		DRAWN : TS. MIYAKI	07.08.30					1/1