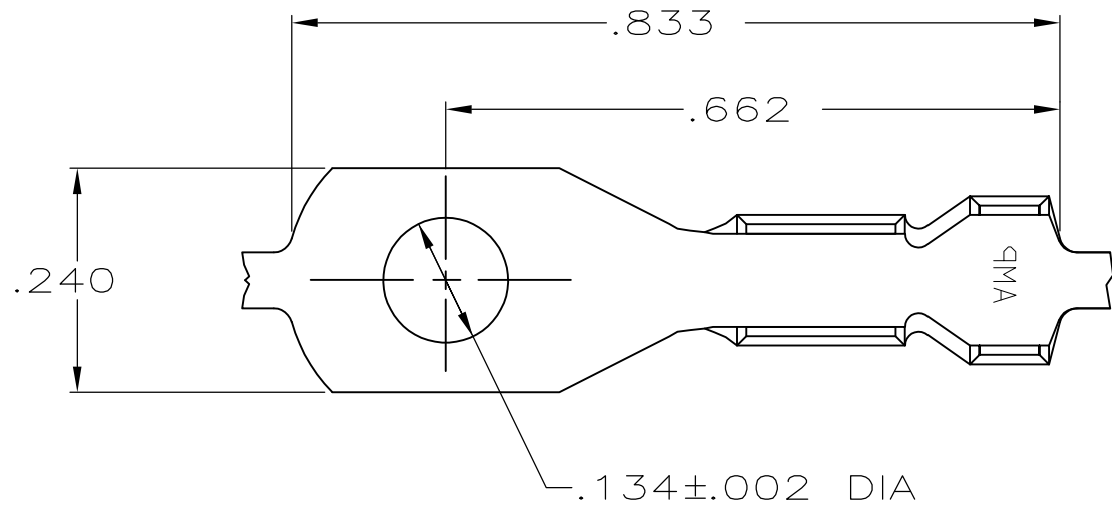
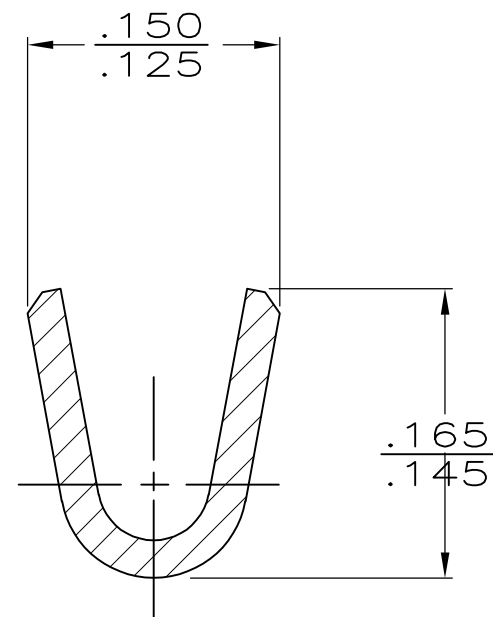
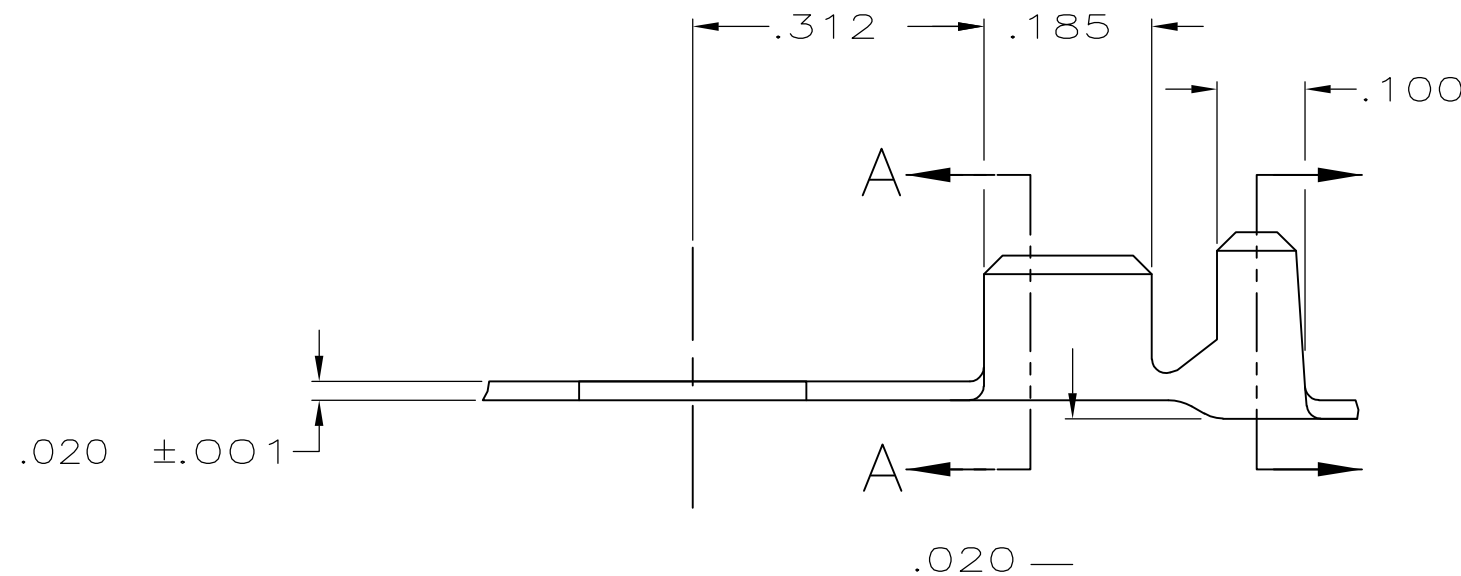


THIS DRAWING IS UNPUBLISHED. RELEASED FOR PUBLICATION, 19
 © COPYRIGHT 19 BY AMP INCORPORATED. ALL INTERNATIONAL RIGHTS RESERVED.

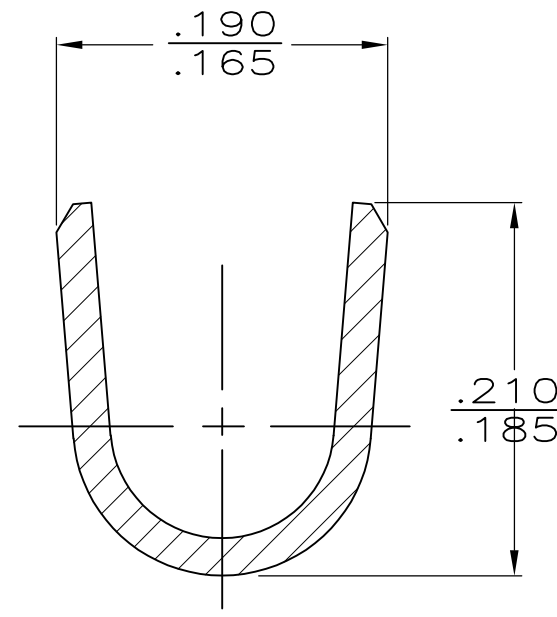
LOC	DIST	P	F	REVISIONS				
AF	50			ZONE	LTR	DESCRIPTION	DATE	APPD
					A1	RELEASE PER FASR	2/23/89	—
					A2	REVISED PER ECR-15-015288	02/11/15	T.D



1 CONTINUOUS STRIP ON REELS



SECTION A-A
SCALE 10:1



SECTION B-B
SCALE 10:1

		OBSOLETE		.100-.140		18-14		63518-1			
				INSULATION DIA		WIRE RANGE		PART NO			
F or O	.155	.235	F	.110	.085	14	DR 10/17/88 P FORTNEY CHK 10/19/88 JR RUTH APPD 10/19/88 D DECKER APPD 10/19/88 TL SHUTTER PRODUCT SPEC — APPLICATION SPEC — WEIGHT —				
				.076		16				AMP INCORPORATED Harrisburg, Pa. 17105 RING	
				.071		18					
TYPE	WIDTH	STRIP LENGTH ±.015	TYPE	WIDTH	±.002 HEIGHT	WIRE	SIZE	FSCM NO	DRAWING NO		
INSUL BARREL CRIMP			WIRE BARREL CRIMP				B	00779	63518		
						FINISH	SCALE	SHEET	1 OF 1		
						PRE-TIN	5:1				