

GlobTek, Inc. www.globtek.com 186 Veterans Drive, Northvale, NJ 07647 Tel. (201) 784-1000 Fax (201) 784-0111	Drawing Title: COMMON MODE CHOKE, 2W, 20mH	
	Model No. <a href="#">Transformer Component(CMC)</a>	Part No./Ordering No. <a href="#">CMC20MH2W(R)</a>
		Rev A1

In Addition to GlobTek Inc.'s renewed ISO9001:2008 - Quality Management System Certification, GlobTek Inc. is now certified to:

ISO13485:2003 - Medical Devices Quality Management System Certification  
ISO14001:2004 - Environmental Management System Certification

ISO Certificates are available online at <http://www.globtek.com/iso-certificates/>

The acceptance of this specification and use of the product described in this document indicates the acceptance and binding of the customer to Globtek TERMS AND CONDITIONS (attached to the end of this document), which supersede all other agreements, terms, and conditions (<http://en.globtek.com/terms-and-conditions/>).

Prop 65 Statement:<https://en.globtek.com/prop-65-statement.pdf>

Footnote:

GlobTek Inc. will not be liable for the safety and performance of these power supplies if unauthorized access and repair occurs. End user should consult applicable UL, CSA or EN standards for proper installation instruction.

Limitation of Use:

GlobTek products are intended for use with commercial, medical, and/or industrial equipment only. GlobTek product are not authorized for use as mission critical components in life support hazardous environment, nuclear or aircraft applications without prior written approval from the CEO of GlobTek Inc.

Contents of this document are subject to change without prior notice.

**Customer Approval of Specification:**

Please approve, sign and send back to GlobTek so we can complete order processing.  
A delay in receipt of this form will delay delivery schedule.

Company Name:	Customer P/N:
Quote Number:	Date:
Authorized Representative Name:	Authorized Representative Signature:

GlobTek, Inc. www.globtek.com 186 Veterans Drive, Northvale, NJ 07647 Tel. (201) 784-1000 Fax (201) 784-0111	Drawing Title: COMMON MODE CHOKE, 2W, 20mH	
	Model No. <a href="#">Transformer Component(CMC)</a>	Part No./Ordering No. <a href="#">CMC20MH2W(R)</a>
		Rev A1

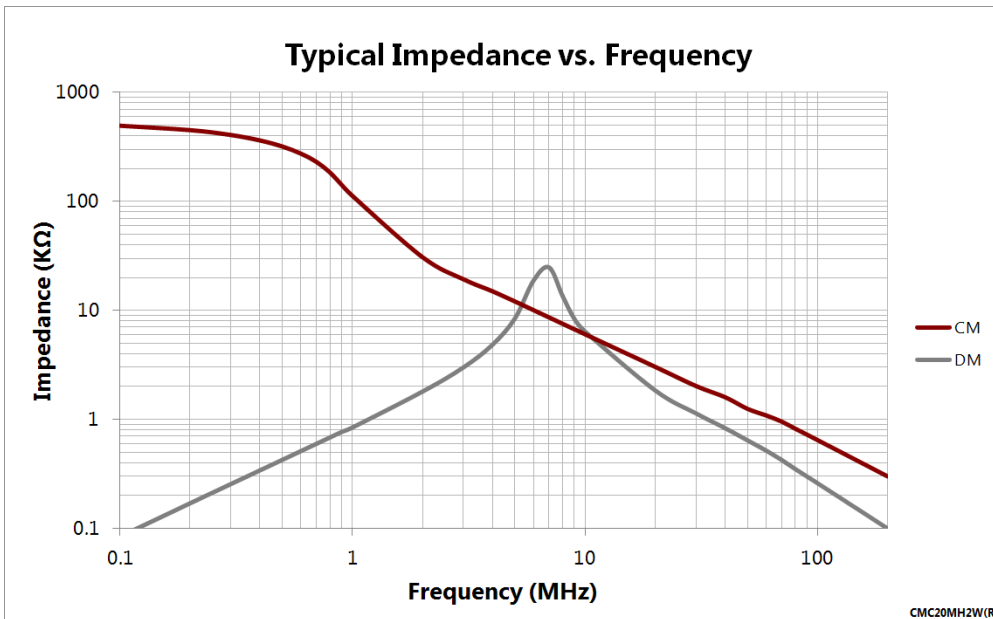
## REVISION HISTORY

REV	DESCRIPTION	SUB	DATE	APPROVED
A1	CORRECTED DC Resistance (DCR) (Max) - <del>4.2 Ohms Typ. ea. Winding.</del> <u>2.9 Ohms Typ. ea Winding.</u>	DR	03/29/2021	QA
A	Initial release	DR	05/15/2019	QA

### AGENCY ONLINE DOCUMENTS

RoHS/RoHS3 Declaration	<a href="https://www.globtek.com/pdf/rohs_cert/01t0c000009EVUnAAO">https://www.globtek.com/pdf/rohs_cert/01t0c000009EVUnAAO</a>
REACH Declaration	<a href="https://www.globtek.com/pdf/iso_certificates/REACH.pdf">https://www.globtek.com/pdf/iso_certificates/REACH.pdf</a>
Conflict Minerals Declaration	<a href="https://www.globtek.com/pdf/conflict-minerals.pdf">https://www.globtek.com/pdf/conflict-minerals.pdf</a>
Prop 65 Statement	<a href="https://en.globtek.com/prop-65-statement.pdf">https://en.globtek.com/prop-65-statement.pdf</a>

IPXY rating is based on 3rd party testing and customers should check suitability and test system level IPXY rating before ordering.  
 MINIATURE COMMON MODE CHOKE/AC LINE FILTER



Inductance: 17.5mH MIN @ 1KHz  
 Current Rating: 125mA  
 DC Resistance: 2.9 Ohms Typ. ea. Winding.  
 Rated Voltage: 310Vac  
 Operating Temperature: -40°C to +105°C  
 Thermal Class B (130°C) [Designation GTX-1; UL File # E243347]  
 Core Initial Permeability(ui) is 12000±30%

### DIELECTRIC STRENGTH TEST (HI-POT)

1500 VAC 5mA COIL TO COIL 1 MIN  
 500 VAC 5mA COIL TO CORE 1 MIN

### INSULATION RESISTANCE

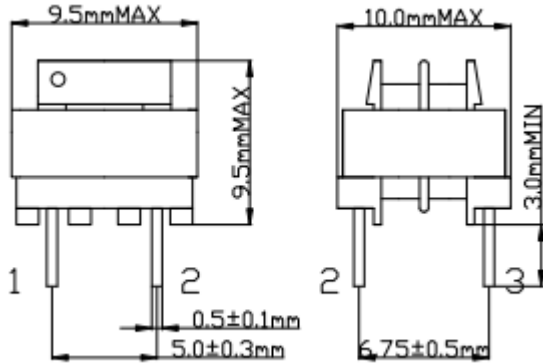
OVER 100 Mohm AT 500 VDC BETWEEN COIL TO COIL AND COIL AND COIL TO CORE

### PROPRIETARY INFORMATION

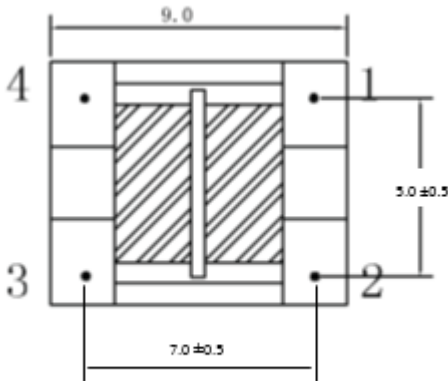
PROPRIETARY OF GLOBTEK, INC. ANY REPRODUCTION, DISCLOSURE OR USE OF THIS DRAWING, IN WHOLE OR IN PART, IS HEREBY PROHIBITED EXCEPT AS SPECIFIED IN WRITING BY GLOBTEK, INC. © GlobTek, Inc. 2019 - 2023  
 quest /05/16/2023 4:23:40 AM CLONED FROM CMC40MH2W(R)

GlobTek, Inc. www.globtek.com 186 Veterans Drive, Northvale, NJ 07647 Tel. (201) 784-1000 Fax (201) 784-0111	Drawing Title: COMMON MODE CHOKE, 2W, 20mH	
	Model No. <a href="#">Transformer Component(CMC)</a>	
	Part No./Ordering No. <a href="#">CMC20MH2W(R)</a>	Rev A1

**MECHANICAL DRAWING:**



SIDE VIEW



Bottom View

PCB HOLE PATTERN 7.0 X 5.0 MM

**Notes on Use**

**Shelf Life:** Use within 6 months. If the product is used after a storage period of 6 months or longer, confirm its solderability before use.

**Storage Condition:** Avoid storage in high temperature and high humidity environment, as such condition may deteriorate the solderability of external electrode. Avoid storage in atmosphere containing toxic gases or acid (e.g., sulphur and chlorine), as such gas may deteriorate the solderability of external electrode. Avoid storage near strong magnetic field, as such condition may magnetize the product.

Although GlobTek designs and manufactures its products to the most stringent quality and safety standards, given the current state of the art, isolated component failures may still occur. Accordingly, customer applications which require a high degree of reliability or safety should employ suitable designs or other safeguards (such as installation of protective circuitry or redundancies) in order to ensure that the failure of an electrical component does not result in a risk of personal injury or property damage

GlobTek, Inc. www.globtek.com 186 Veterans Drive, Northvale, NJ 07647 Tel. (201) 784-1000 Fax (201) 784-0111	Drawing Title: COMMON MODE CHOKE, 2W, 20mH	
	Model No. <a href="#">Transformer Component(CMC)</a>	Part No./Ordering No. <a href="#">CMC20MH2W(R)</a>
		Rev A1

**PACKAGING**

Packing Spec P/N:	
Box Qty:	TBD
Gift Box Size (mm):	
Gift Box Color:	White
Master Carton Size (mm):	TBD
Master Carton Cubic Volume (m³):	0.00
Master GW (Kg):	kg
wt Ea. (Kg):	kg
wt Ea. (Kg):	kg
LABEL SPECS:	Standard GT ,L-1186
PACK SPEC:	