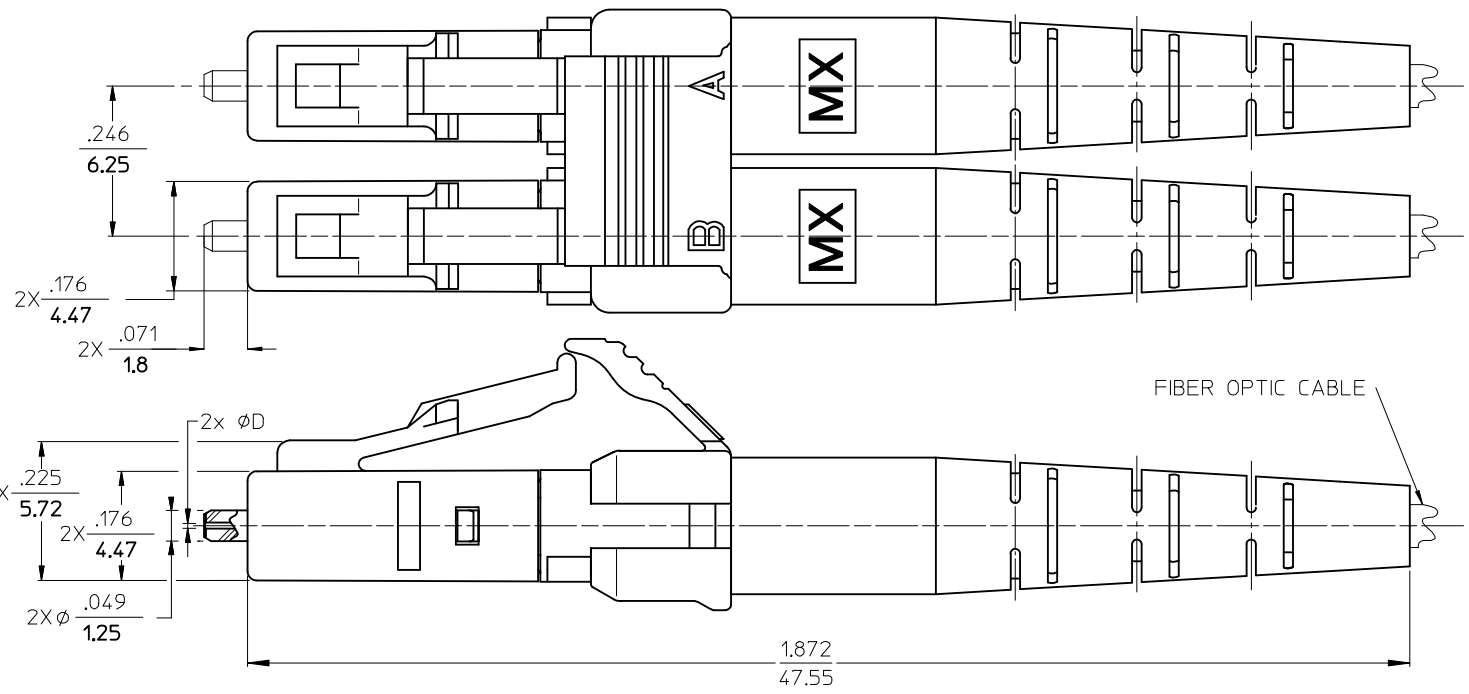
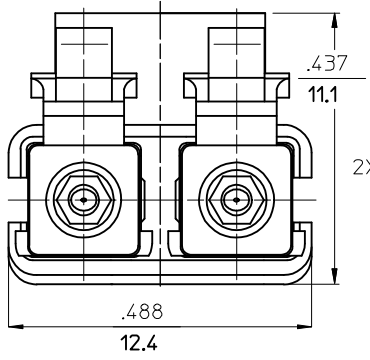


10	9	8	7
CONNECTOR P/N	∅D (4m)	CONNECTOR BODY AND BOOT COLOR	CABLE DESCRIPTION AND ∅ (mm)
106090-2810	125.5	GREEN	SIMPLEX 2.0
106090-6300	125.25		ZIPCORD 1.6
106090-2830	125.5		SIMPLEX 1.6
106090-6330	125.25		

6	5	4	3	2	1
CABLE TYPE					
SINGLE MODE					

(DUST CAPS NOT SHOWN)



FIBER OPTIC CABLE

ENTER DESCRIPTION EC NO: MF2006-0159 DRAWN: PGIBLIN 2005/10/14 CHKD: LGUMIN 2005/10/14 APPR: LGUMIN 2005/10/24 A	QUALITY SYMBOLS DESCRIPTION REV	GENERAL TOLERANCES (UNLESS SPECIFIED)		DIMENSION STYLE IN/MM		SCALE 8:1	DESIGN UNITS INCH	THIRD ANGLE PROJECTION		
		4 PLACES	± ---	± ---	DRAWN BY	DATE	TITLE LC APC DUPLEX CONNECTOR			
		3 PLACES	± ---	± ---	PGIBLIN	2005/09/29				
		2 PLACES	± ---	± ---	CHECKED BY	DATE	APPROVED BY MOLEX INCORPORATED			
		1 PLACE	± ---	± ---						
ANGULAR ±1/2°		DRAFT WHERE APPLICABLE MUST REMAIN WITHIN DIMENSIONS		MATERIAL NO. SEE TABLE		DOCUMENT NO. SD-106090-MMM0		SHEET NO. 1 OF 01		