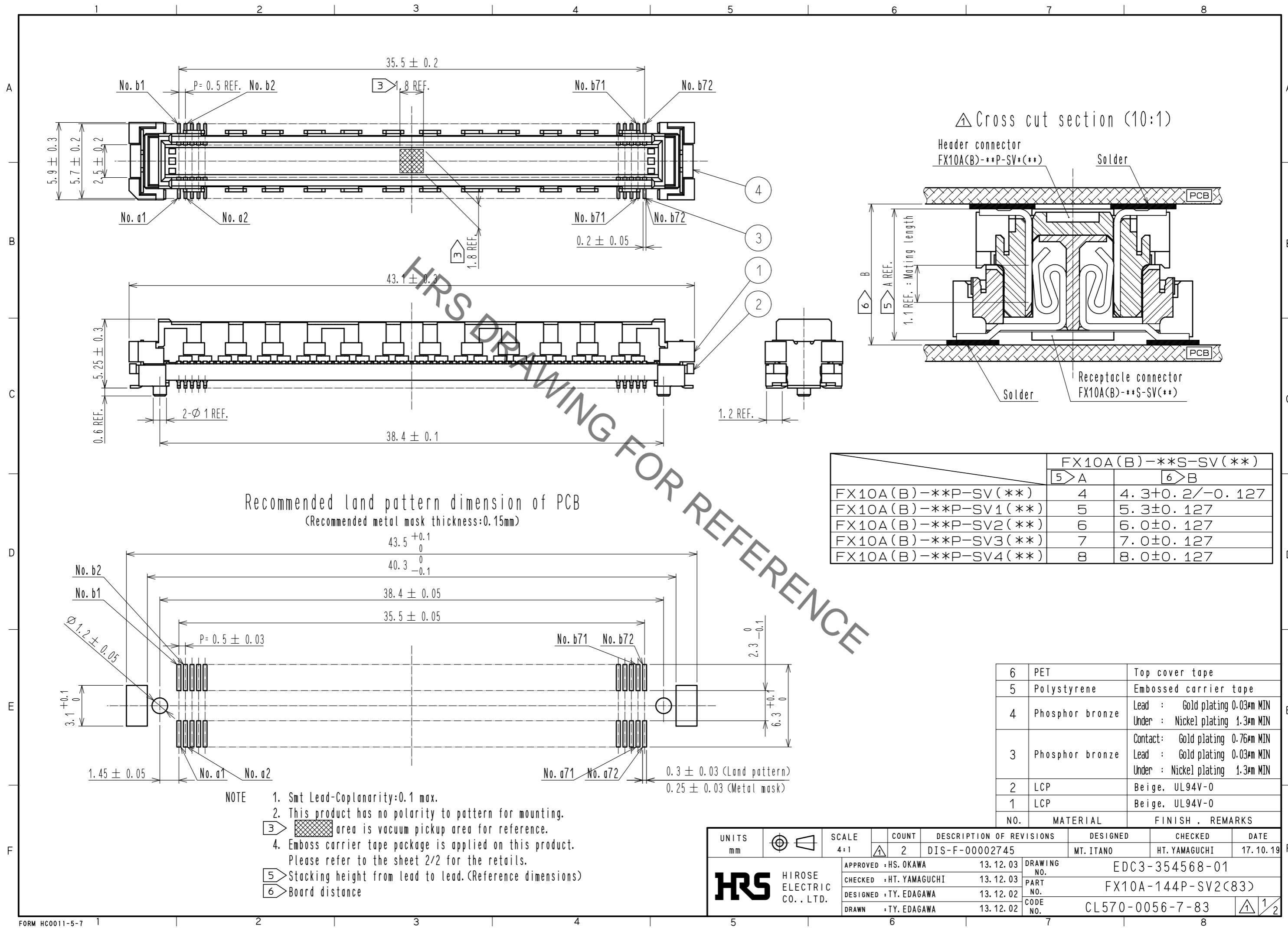
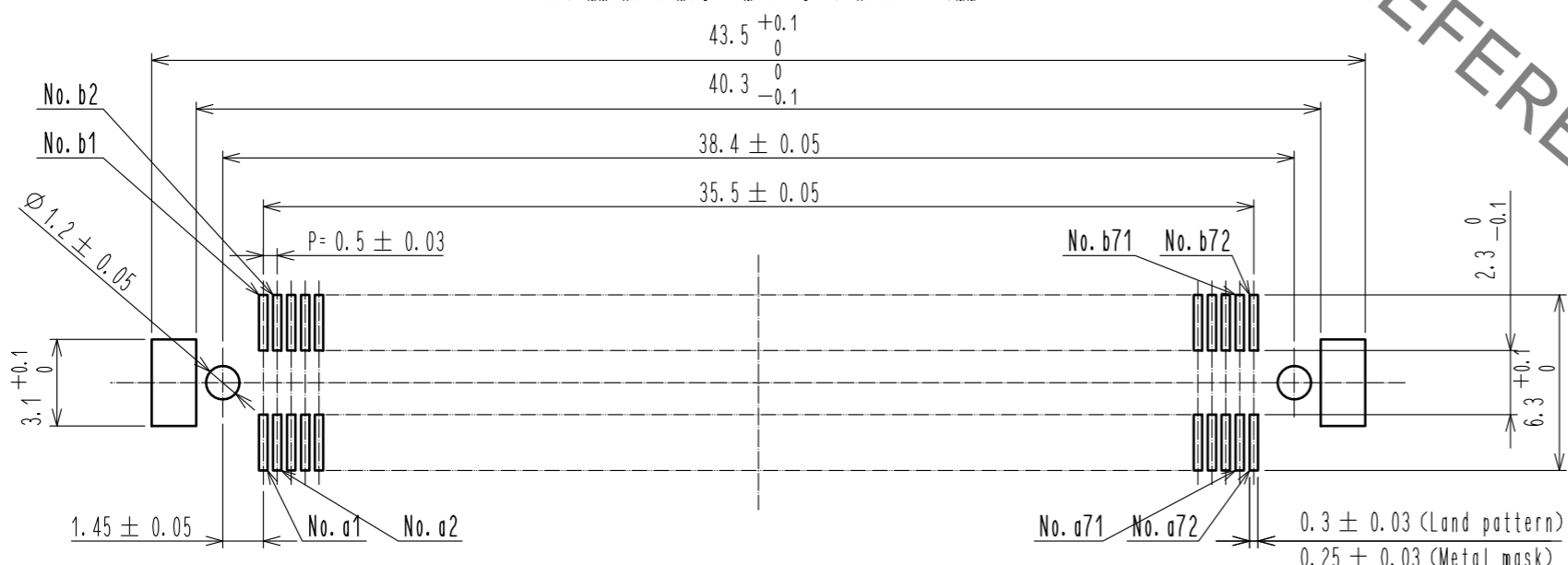


Apr.1.2023 Copyright 2023 HIROSE ELECTRIC CO., LTD. All Rights Reserved.
In case of consideration for using Automotive equipment / device which demand high reliability, kindly contact our sales window correspondents.



Recommended land pattern dimension of PCB
(Recommended metal mask thickness:0.15mm)



- NOTE
- Smt Lead-Coplanarity:0.1 max.
 - This product has no polarity to pattern for mounting.
 - area is vacuum pickup area for reference.
 - Emboss carrier tape package is applied on this product. Please refer to the sheet 2/2 for the retails.
 - Stacking height from lead to lead.(Reference dimensions)
 - Board distance

	FX10A(B)-**S-SV(**)	
	5 A	6 B
FX10A(B)-**P-SV(**)	4	$4.3^{+0.2}/-0.127$
FX10A(B)-**P-SV1(**)	5	5.3 ± 0.127
FX10A(B)-**P-SV2(**)	6	6.0 ± 0.127
FX10A(B)-**P-SV3(**)	7	7.0 ± 0.127
FX10A(B)-**P-SV4(**)	8	8.0 ± 0.127

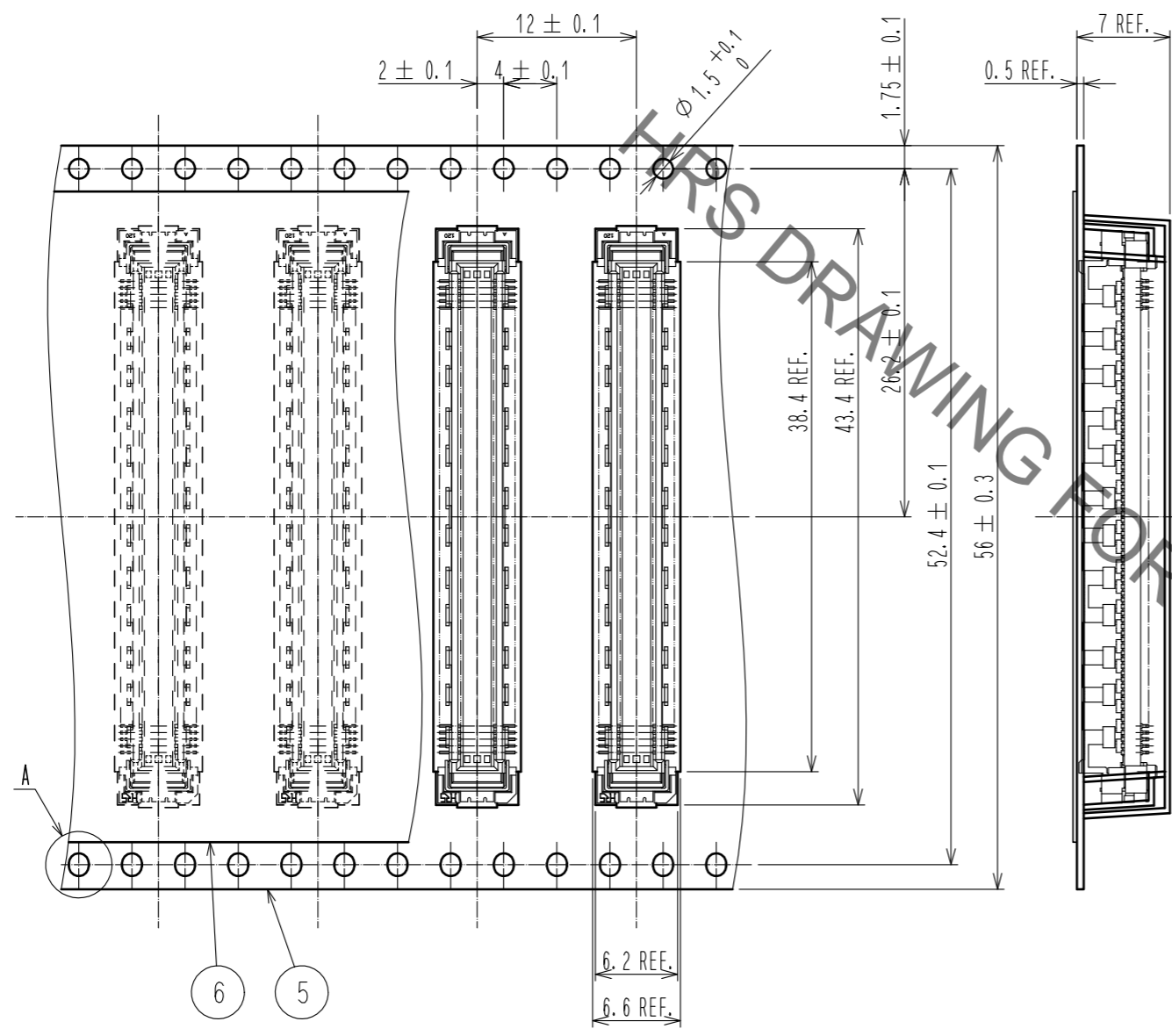
NO.	MATERIAL	FINISH . REMARKS
6	PET	Top cover tape
5	Polystyrene	Embossed carrier tape
4	Phosphor bronze	Lead : Gold plating 0.03μm MIN Under : Nickel plating 1.3μm MIN
3	Phosphor bronze	Contact: Gold plating 0.76μm MIN Lead : Gold plating 0.03μm MIN Under : Nickel plating 1.3μm MIN
2	LCP	Beige. UL94V-0
1	LCP	Beige. UL94V-0

UNITS mm		SCALE 4:1	COUNT 2	DESCRIPTION OF REVISIONS DIS-F-00002745	DESIGNED MT. ITANO	CHECKED HT. YAMAGUCHI	DATE 17. 10. 19
		APPROVED : HS. OKAWA 13. 12. 03		DRAWING NO. EDC3-354568-01		PART NO. FX10A-144P-SV2(83)	
HRS HIROSE ELECTRIC CO., LTD.		CHECKED : HT. YAMAGUCHI 13. 12. 03		DESIGNED : TY. EDAGAWA 13. 12. 02		DRAWN : TY. EDAGAWA 13. 12. 02	
		CODE NO. CL570-0056-7-83				1/2	

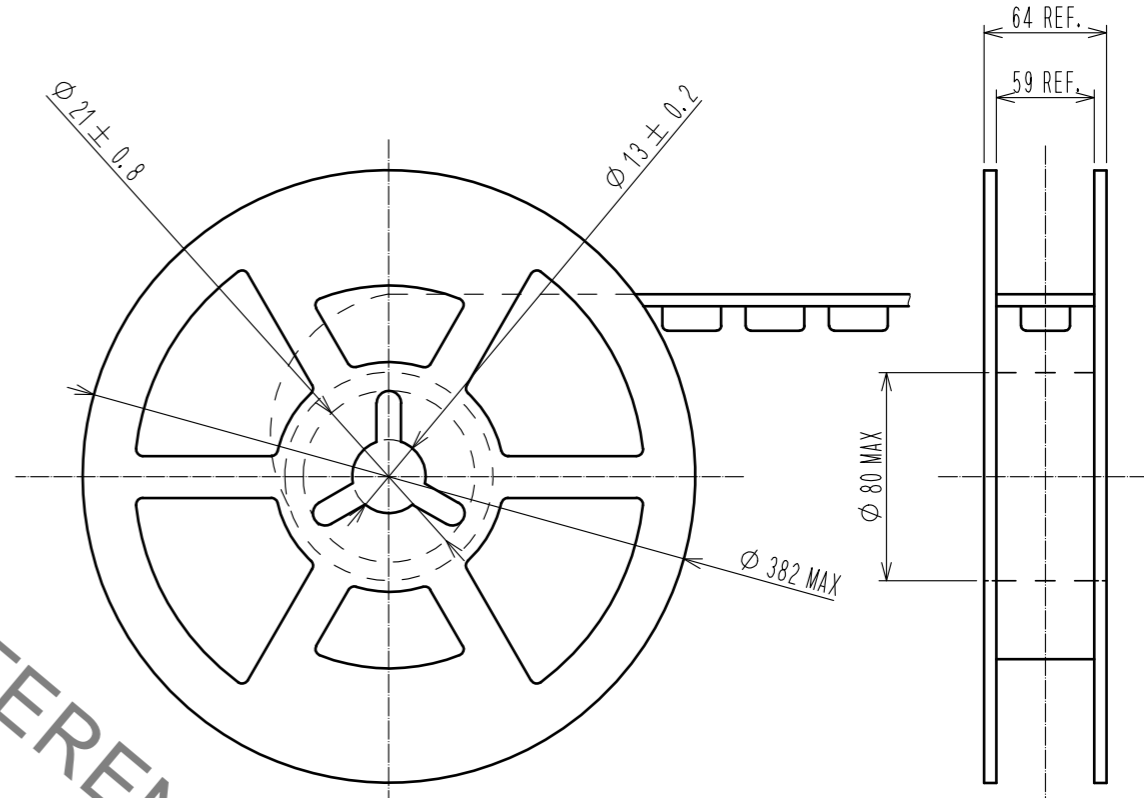
Apr.1.2023 Copyright 2023 HIROSE ELECTRIC CO., LTD. All Rights Reserved.
 In case of consideration for using Automotive equipment / device which demand high reliability, kindly contact our sales window correspondents.

△ Drawing for packing (2:1)
 (An example)

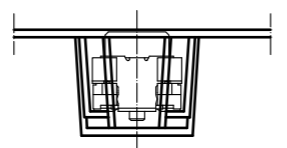
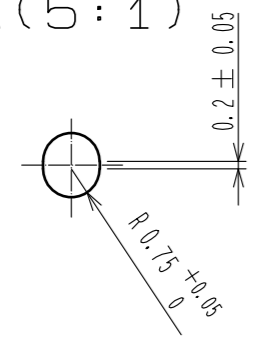
The direction of pulling out



Reeled dimension (Free)



A (5:1)



- NOTE
- 7. 1 reel:900 connectors.
 - 8. minimum 10 compartments from both reel ends remain empty.
 - 9. This product has no polavity to tape and reel packaging.

HRS	DRAWING NO.	EDC3-354568-01	2/2
	PART NO.	FX10A-144P-SV2(83)	
	CODE NO.	CL570-0056-7-83	