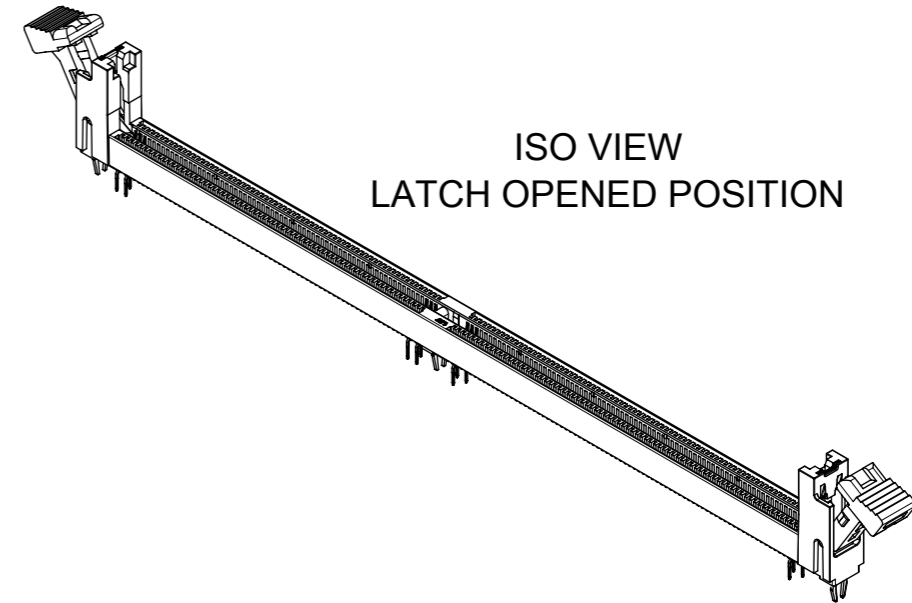
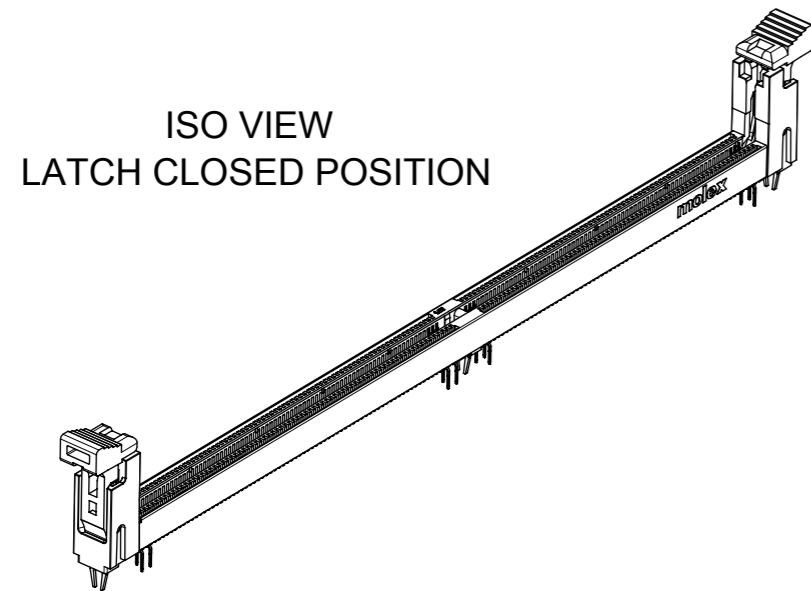
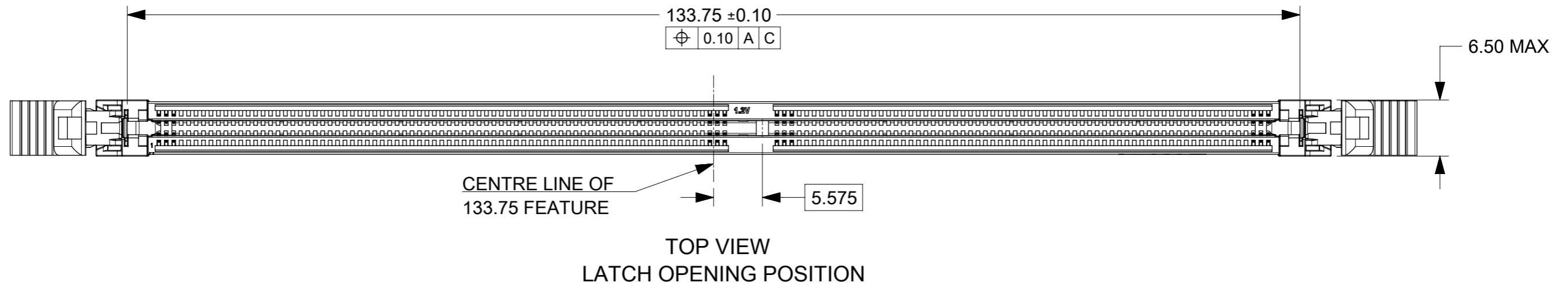


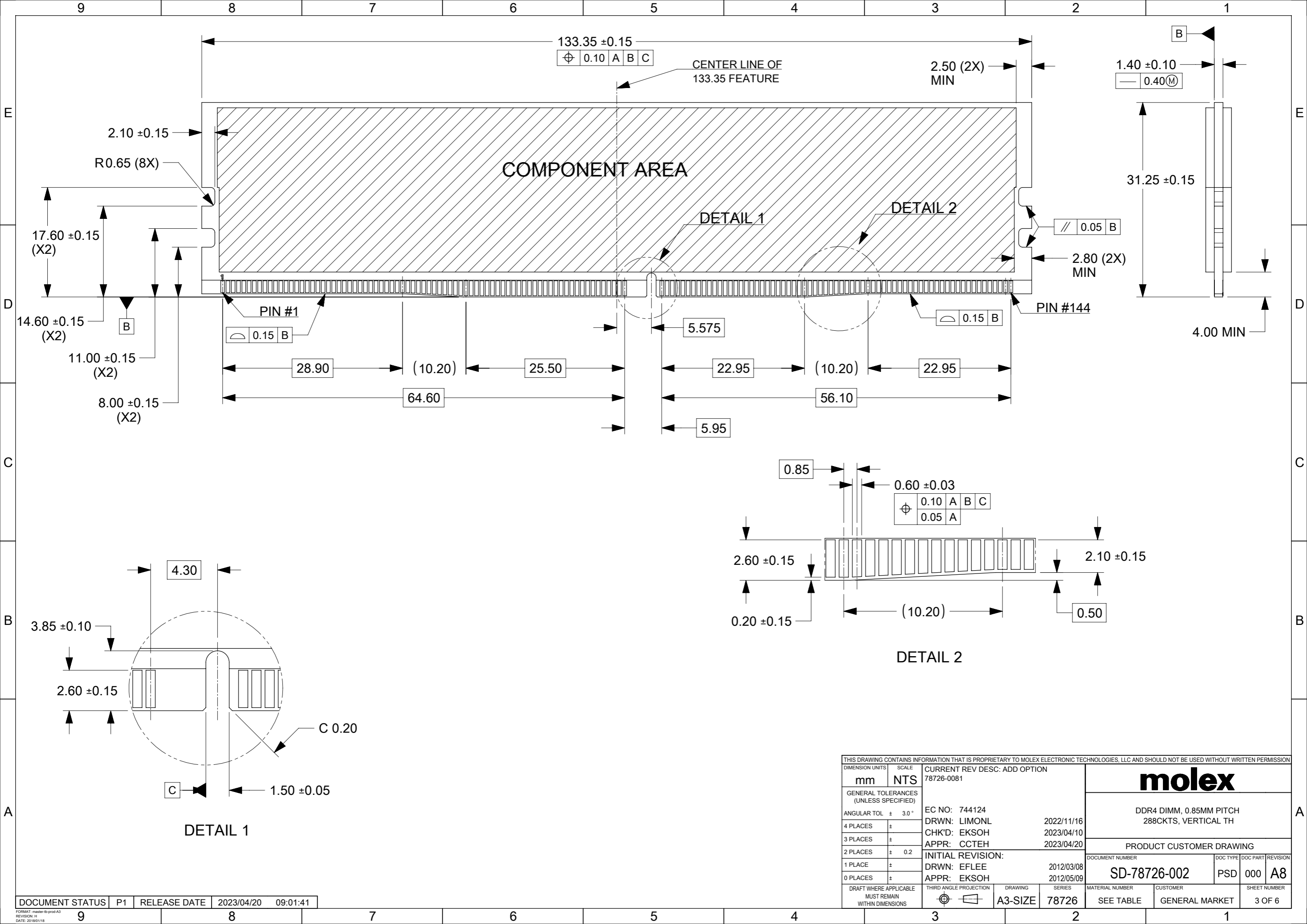
- NOTES:**
- MATERIAL : HOUSING - HALOGEN FREE HIGH TEMP POLYAMIDE, GLASS FILLED, UL94V-0.  
COLOUR : SEE TABLE ON SHEET 5.  
LATCH - HALOGEN FREE HIGH TEMP POLYAMIDE, GLASS FILLED, UL94V-0.  
COLOUR : SEE TABLE ON SHEET 5.  
TERMINAL : COPPER ALLOY.  
FORKLOCK: COPPER ALLOY.
  - FINISHES - SEE TABLE ON SHEET 5.
  - PRODUCT SPECIFICATION : SEE TABLE ON SHEET 5.
  - PACKAGING SPECIFICATION: PRODUCT SHALL BE PACKED IN TRAY, SEE SHEET 5
  - CARD SLOT ACCEPTS 1.40±0.10MM MODULE THICKNESS (MEASURED OVER P.C. PADS).
  - MOLEX LOGO, DATE & PART NO. INDICATED ON HOUSING.
  - MODULE SEATING PLANE.
  - KEEP OUT ZONE RESERVED FOR LATCH.
  - KEEP OUT AREA IS THE AREA WHERE THE CONNECTOR (INCLUDES LATCHES IN OPENING POSITION) IS MOUNTED ON THE PCB.
  - REFER TO AS-78726-001 FOR CONNECTOR APPLICATION GUIDELINE.
  - REFER TO AS-78726-002 FOR PCB ROUTING RECOMMENDATIONS.

THIS DRAWING CONTAINS INFORMATION THAT IS PROPRIETARY TO MOLEX ELECTRONIC TECHNOLOGIES, LLC AND SHOULD NOT BE USED WITHOUT WRITTEN PERMISSION									
DIMENSION UNITS	SCALE	CURRENT REV DESC: ADD OPTION							
mm	NTS	78726-0081							
GENERAL TOLERANCES (UNLESS SPECIFIED)					EC NO: 744124 DRWN: LIMONL 2022/11/16 CHK'D: EKSOH 2023/04/10 APPR: CCTEH 2023/04/20				
ANGULAR TOL	± 3.0°	INITIAL REVISION:			PRODUCT CUSTOMER DRAWING DOCUMENT NUMBER: SD-78726-002 DOC TYPE: PSD DOC PART: 000 REVISION: A8				
4 PLACES	±	DRWN: EFLEE 2012/03/08			MATERIAL NUMBER: SEE TABLE				
3 PLACES	±	APPR: EKSOH 2012/05/09			CUSTOMER: GENERAL MARKET				
2 PLACES	± 0.2	DRAFT WHERE APPLICABLE MUST REMAIN WITHIN DIMENSIONS			SHEET NUMBER: 1 OF 6				
1 PLACE	±	THIRD ANGLE PROJECTION			DRAWING: A3-SIZE				
0 PLACES	±	SERIES: 78726			DATE: 2018/01/18				



THIS DRAWING CONTAINS INFORMATION THAT IS PROPRIETARY TO MOLEX ELECTRONIC TECHNOLOGIES, LLC AND SHOULD NOT BE USED WITHOUT WRITTEN PERMISSION										
DIMENSION UNITS	SCALE	CURRENT REV DESC: ADD OPTION								
mm	NTS	78726-0081								
GENERAL TOLERANCES (UNLESS SPECIFIED)					EC NO: 744124 DRWN: LIMONL 2022/11/16 CHK'D: EKSOH 2023/04/10 APPR: CCTEH 2023/04/20					
ANGULAR TOL ± 3.0°					PRODUCT CUSTOMER DRAWING					
4 PLACES ±					DOCUMENT NUMBER					
3 PLACES ±					SD-78726-002					
2 PLACES ± 0.2					DOC TYPE DOC PART REVISION					
1 PLACE ±					PSD 000 A8					
0 PLACES ±					INITIAL REVISION:					
DRAFT WHERE APPLICABLE MUST REMAIN WITHIN DIMENSIONS					THIRD ANGLE PROJECTION		DRAWING	SERIES	MATERIAL NUMBER	CUSTOMER
							A3-SIZE	78726	SEE TABLE	GENERAL MARKET
										SHEET NUMBER
										2 OF 6

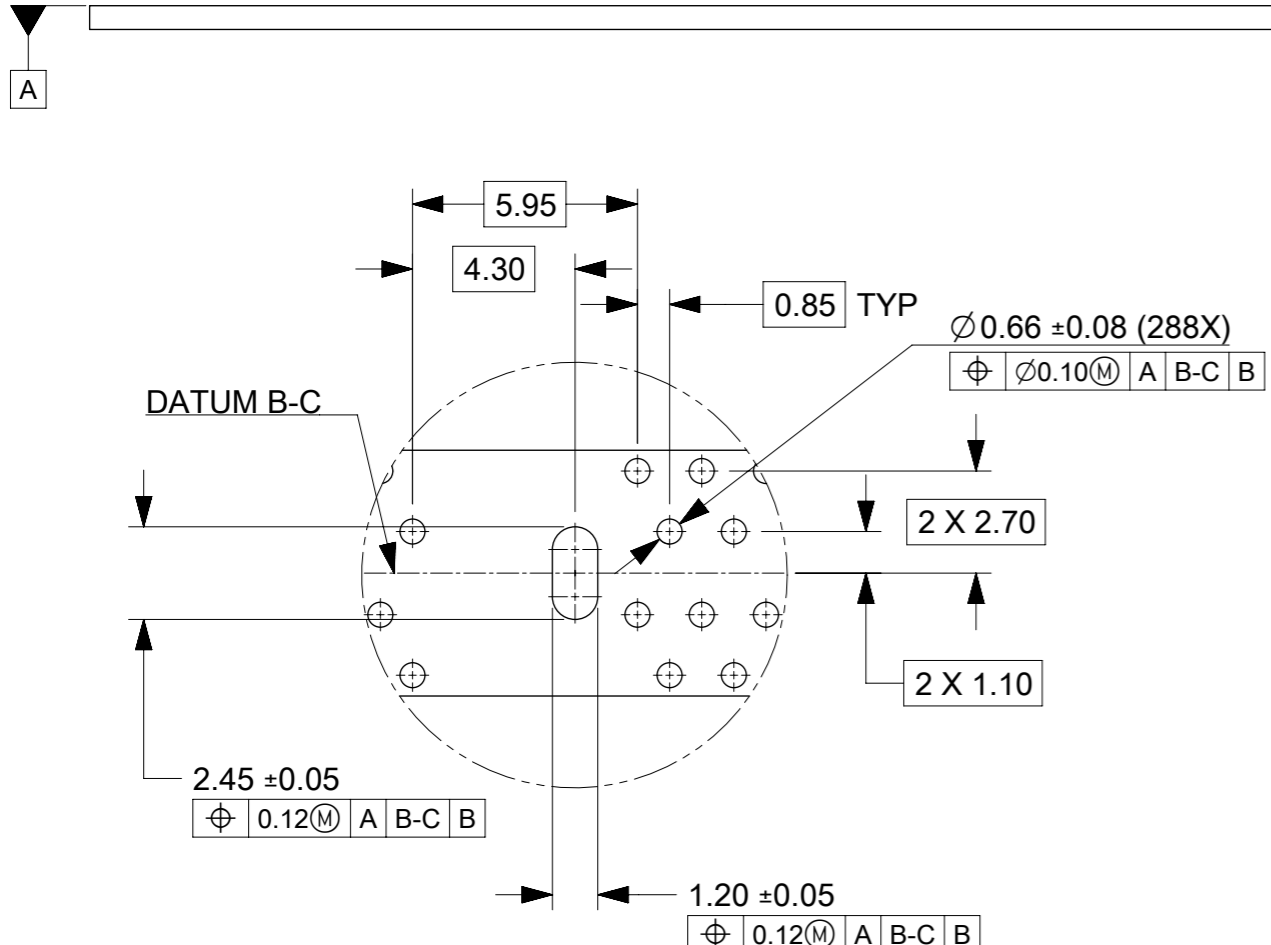
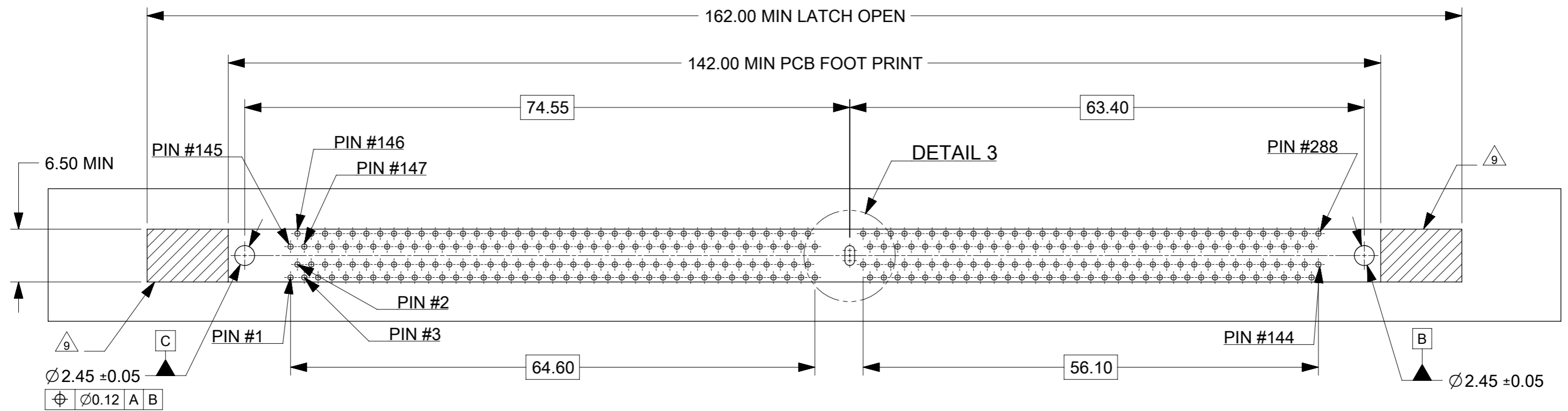
DOCUMENT STATUS	P1	RELEASE DATE	2023/04/20	09:01:41
-----------------	----	--------------	------------	----------



9	8	7	6	5	4	3	2	1
E								E
D								D
C								C
B								B
A								A

THIS DRAWING CONTAINS INFORMATION THAT IS PROPRIETARY TO MOLEX ELECTRONIC TECHNOLOGIES, LLC AND SHOULD NOT BE USED WITHOUT WRITTEN PERMISSION											
DIMENSION UNITS		SCALE		CURRENT REV DESC: ADD OPTION				<b>molex</b>		DDR4 DIMM, 0.85MM PITCH 288CKTS, VERTICAL TH	
mm		NTS		78726-0081							
GENERAL TOLERANCES (UNLESS SPECIFIED)											
ANGULAR TOL		± 3.0°		EC NO: 744124		2022/11/16		PRODUCT CUSTOMER DRAWING			
4 PLACES		±		DRWN: LIMONL		2023/04/10		DOCUMENT NUMBER			
3 PLACES		±		CHK'D: EKSOH		2023/04/20		SD-78726-002			
2 PLACES		± 0.2		APPR: CTEH		2023/04/20		DOC TYPE			
1 PLACE		±		INITIAL REVISION:		2012/03/08		DOC PART			
0 PLACES		±		DRWN: EFLEE		2012/05/09		REVISION			
DRAFT WHERE APPLICABLE MUST REMAIN WITHIN DIMENSIONS		THIRD ANGLE PROJECTION		DRAWING		SERIES		MATERIAL NUMBER			
				A3-SIZE		78726		CUSTOMER			
								GENERAL MARKET			
								SHEET NUMBER			
								3 OF 6			

DOCUMENT STATUS	P1	RELEASE DATE	2023/04/20	09:01:41
-----------------	----	--------------	------------	----------



THIS DRAWING CONTAINS INFORMATION THAT IS PROPRIETARY TO MOLEX ELECTRONIC TECHNOLOGIES, LLC AND SHOULD NOT BE USED WITHOUT WRITTEN PERMISSION									
DIMENSION UNITS	SCALE	CURRENT REV DESC: ADD OPTION							
mm	NTS	78726-0081							
GENERAL TOLERANCES (UNLESS SPECIFIED)					<b>DDR4 DIMM, 0.85MM PITCH</b> <b>288CKTS, VERTICAL TH</b>				
ANGULAR TOL	±	3.0°	EC NO: 744124			PRODUCT CUSTOMER DRAWING			
4 PLACES	±		DRWN: LIMONL 2022/11/16			DOCUMENT NUMBER			
3 PLACES	±		CHK'D: EKSOH 2023/04/10			SD-78726-002			
2 PLACES	±	0.2	APPR: CTEH 2023/04/20			DOC TYPE DOC PART REVISION			
1 PLACE	±		INITIAL REVISION:			PSD 000 A8			
0 PLACES	±		DRWN: EFLEE 2012/03/08			MATERIAL NUMBER			
			APPR: EKSOH 2012/05/09			CUSTOMER			
DRAFT WHERE APPLICABLE MUST REMAIN WITHIN DIMENSIONS		THIRD ANGLE PROJECTION	DRAWING	SERIES	MATERIAL NUMBER	CUSTOMER	SHEET NUMBER		
			A3-SIZE	78726	SEE TABLE	GENERAL MARKET	4 OF 6		

DOCUMENT STATUS	P1	RELEASE DATE	2023/04/20	09:01:41
-----------------	----	--------------	------------	----------

CKT SIZE	ASSEMBLY PART NO.	HOUSING COLOR	LATCH COLOR	DIM "P"	RECOMMENDED PCB THICKNESS	PLATING OPTION		PRODUCT SPEC. NO.	PACKAGING SPEC. NO.
						TERMINAL	FORKLOCK		
288	78726-1051	BLACK	BLACK	2.10	1.57	0.76 MICROMETER (30 MICROINCH) MIN GOLD ON CONTACT	1 MICROMETER (40 MICROINCH) MIN TIN OVERALL (PRE-PLATED)	PS-78726-001	PK-78726-001
	78726-1039			2.40	1.57				
	78726-1002			2.67	1.57				
	78726-1003			3.18	2.36				
	78726-1026			3.50	3.00				
	78726-1052	BLACK	WHITE	2.10	1.57				
	78726-1040			2.40	1.57				
	78726-1004			2.67	1.57				
	78726-1005			3.18	2.36				
	78726-1027			3.50	3.00				
	78726-1053	WHITE	BLACK	2.10	1.57				
	78726-1041			2.40	1.57				
	78726-1006			2.67	1.57				
	78726-1007			3.18	2.36				
	78726-1028			3.50	3.00				
	78726-1054	WHITE	WHITE	2.10	1.57				
	78726-1042			2.40	1.57				
	78726-1008			2.67	1.57				
	78726-1009			3.18	2.36				
	78726-1029			3.50	3.00				
	78726-1055	BLUE	BLUE	2.10	1.57				
	78726-1043			2.40	1.57				
	78726-1010			2.67	1.57				
	78726-1011			3.18	2.36				
	78726-1030			3.50	3.00				
	78726-1056	BLUE	WHITE	2.10	1.57				
	78726-1044			2.40	1.57				
	78726-1022			2.67	1.57				
	78726-1023			3.18	2.36				
	78726-1031			3.50	3.00				
78726-1063	YELLOW	WHITE	2.10	1.57					
78726-1064			2.40	1.57					
78726-1065			2.67	1.57					
78726-1066			3.18	2.36					
78726-1067			3.50	3.00					
78726-0081	BLACK	BLACK	3.18	2.36					
78726-3005		WHITE	3.18	2.36					
78726-3052		2.10	1.57						
78726-4039		BLACK	2.40	1.57					
78726-4040		WHITE	2.40	1.57					

THIS DRAWING CONTAINS INFORMATION THAT IS PROPRIETARY TO MOLEX ELECTRONIC TECHNOLOGIES, LLC AND SHOULD NOT BE USED WITHOUT WRITTEN PERMISSION									
DIMENSION UNITS	SCALE	CURRENT REV DESC: ADD OPTION			<b>molex</b>				
mm	NTS	78726-0081							
GENERAL TOLERANCES (UNLESS SPECIFIED)		EC NO: 744124			DDR4 DIMM, 0.85MM PITCH 288CKTS, VERTICAL TH				
ANGULAR TOL	± 3.0°	DRWN: LIMONL 2022/11/16							
4 PLACES	±	CHK'D: EKSOH 2023/04/10							
3 PLACES	±	APPR: CTEH 2023/04/20							
2 PLACES	± 0.2	INITIAL REVISION:			PRODUCT CUSTOMER DRAWING				
1 PLACE	±	DRWN: EFLEE 2012/03/08			DOCUMENT NUMBER		DOC TYPE	DOC PART	REVISION
0 PLACES	±	APPR: EKSOH 2012/05/09			SD-78726-002		PSD	000	A8
DRAFT WHERE APPLICABLE MUST REMAIN WITHIN DIMENSIONS		THIRD ANGLE PROJECTION	DRAWING	SERIES	MATERIAL NUMBER	CUSTOMER		SHEET NUMBER	
			A3-SIZE	78726	SEE TABLE	GENERAL MARKET		5 OF 6	

CKT SIZE	ASSEMBLY PART NO.	HOUSING COLOR	LATCH COLOR	DIM "P"	RECOMMENDED PCB THICKNESS	PLATING OPTION		PRODUCT SPEC. NO.	PACKAGING SPEC. NO.
						TERMINAL	FORKLOCK		
288	78726-1057	BLACK	BLACK	2.10	1.57	0.38 MICROMETER (15 MICROINCH) MIN GOLD ON CONTACT	1 MICROMETER (40 MICROINCH) MIN TIN OVERALL (PRE-PLATED)	PS-78726-002	PK-78726-001
	78726-1045			2.40	1.57				
	78726-1012			2.67	1.57				
	78726-1013			3.18	2.36				
	78726-1032			3.50	3.00				
	78726-1058	BLACK	WHITE	2.10	1.57				
	78726-1046			2.40	1.57				
	78726-1014			2.67	1.57				
	78726-1015			3.18	2.36				
	78726-1033			3.50	3.00				
	78726-1059	WHITE	BLACK	2.10	1.57				
	78726-1047			2.40	1.57				
	78726-1016			2.67	1.57				
	78726-1017			3.18	2.36				
	78726-1034	WHITE	WHITE	3.50	3.00				
	78726-1060			2.10	1.57				
	78726-1048			2.40	1.57				
	78726-1018			2.67	1.57				
	78726-1019			3.18	2.36				
	78726-1035	BLUE	BLUE	3.50	3.00				
	78726-1061			2.10	1.57				
	78726-1049			2.40	1.57				
	78726-1020			2.67	1.57				
	78726-1021			3.18	2.36				
	78726-1036	BLUE	WHITE	3.50	3.00				
	78726-1062			2.10	1.57				
	78726-1050			2.40	1.57				
	78726-1024			2.67	1.57				
	78726-1025			3.18	2.36				
	78726-1037	YELLOW	WHITE	3.50	3.00				
	78726-1068			2.10	1.57				
	78726-1069			2.40	1.57				
	78726-1070			2.67	1.57				
	78726-1071			3.18	2.36				
	78726-1072	BLACK	BLACK	3.50	3.00				
	78726-3012			2.10	1.57				
78726-3032	2.40			1.57					
78726-3020	2.67			1.57					
78726-3036	3.18			2.36					
	78726-3020	BLUE	BLUE	2.67	1.57				
	78726-3036			3.18	2.36				

0.38 MICROMETER (15 MICROINCH) MIN GOLD ON CONTACT

2.54 MICROMETER (100 MICROINCH) MIN TIN ON SOLDER TAILS

1.27 MICROMETER (50 MICROINCH) MIN NICKEL UNDERPLATE

THIS DRAWING CONTAINS INFORMATION THAT IS PROPRIETARY TO MOLEX ELECTRONIC TECHNOLOGIES, LLC AND SHOULD NOT BE USED WITHOUT WRITTEN PERMISSION									
DIMENSION UNITS	SCALE	CURRENT REV DESC: ADD OPTION			<b>molex</b>				
mm	NTS	78726-0081							
GENERAL TOLERANCES (UNLESS SPECIFIED)		EC NO: 744124			DDR4 DIMM, 0.85MM PITCH 288CKTS, VERTICAL TH				
ANGULAR TOL	± 3.0°	DRWN: LIMONL 2022/11/16							
4 PLACES	±	CHK'D: EKSOH 2023/04/10							
3 PLACES	±	APPR: CTEH 2023/04/20							
2 PLACES	± 0.2	INITIAL REVISION:			PRODUCT CUSTOMER DRAWING				
1 PLACE	±	DRWN: EFLEE 2012/03/08			DOCUMENT NUMBER		DOC TYPE	DOC PART	REVISION
0 PLACES	±	APPR: EKSOH 2012/05/09			SD-78726-002		PSD	000	A8
DRAFT WHERE APPLICABLE MUST REMAIN WITHIN DIMENSIONS		THIRD ANGLE PROJECTION	DRAWING	SERIES	MATERIAL NUMBER	CUSTOMER		SHEET NUMBER	
			A3-SIZE	78726	SEE TABLE	GENERAL MARKET		6 OF 6	