

May.1.2023 Copyright 2023 HIROSE ELECTRIC CO., LTD. All Rights Reserved.
In case of consideration for using Automotive equipment / device which demand high reliability, kindly contact our sales window correspondents.

COUNT	DESCRIPTION OF REVISIONS	BY	CHKD	DATE	COUNT	DESCRIPTION OF REVISIONS	BY	CHKD	DATE
△				..	△				..
△				..	△				..
△				..	△				..

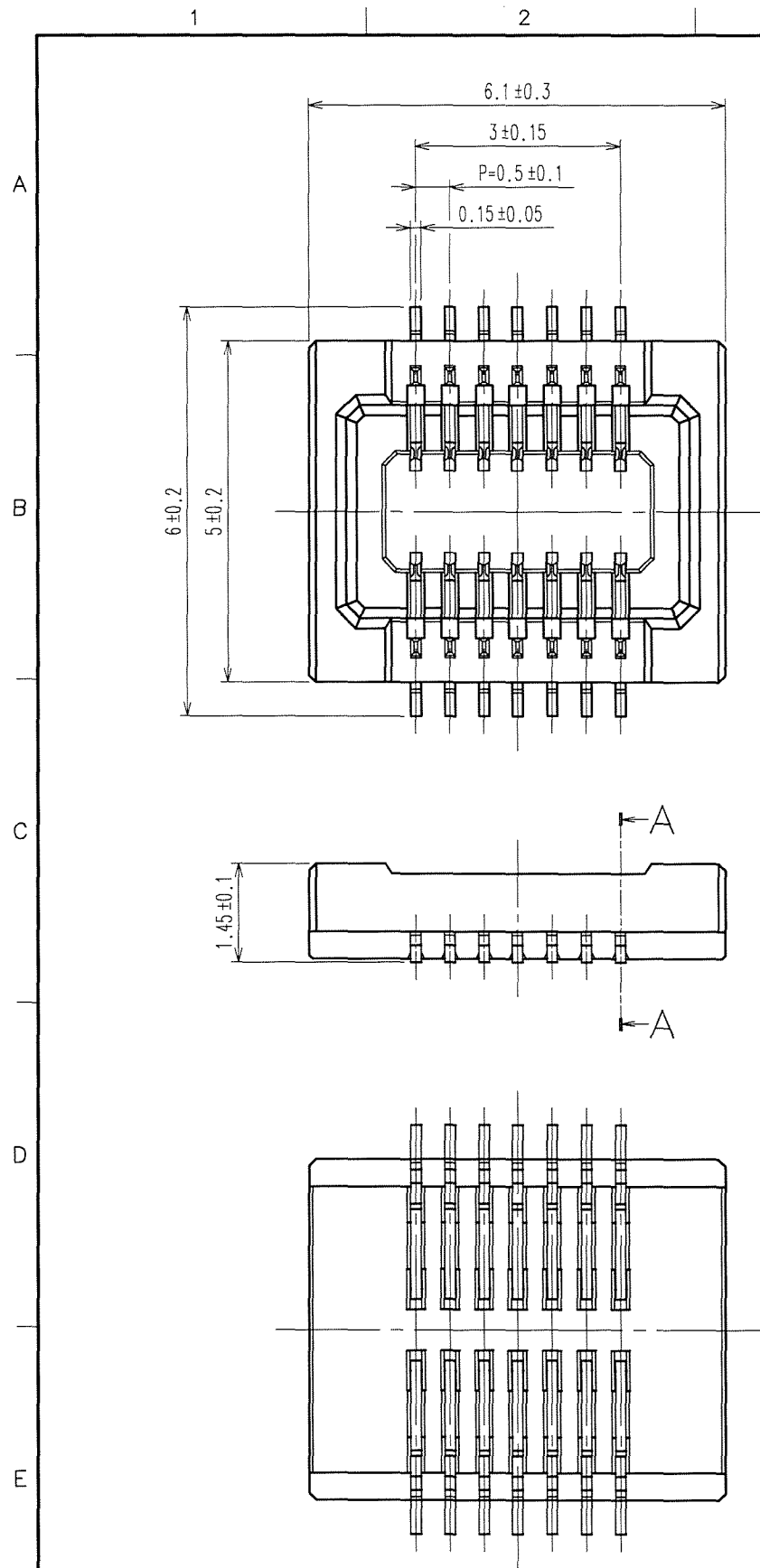


Fig.1 : RECOMMENDED PATTERN

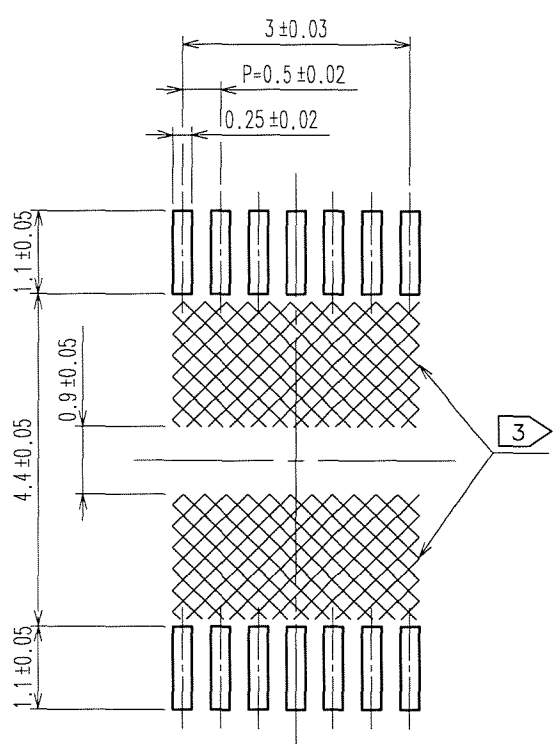


Fig.2 : A-A CROSS SECTION VIEW

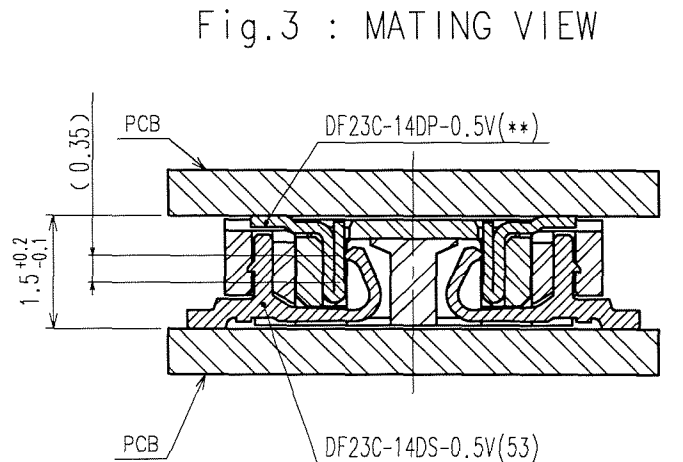
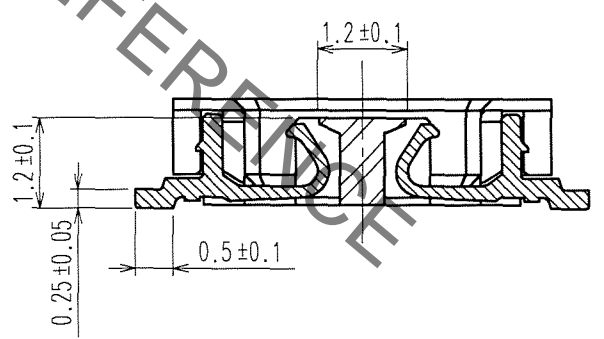
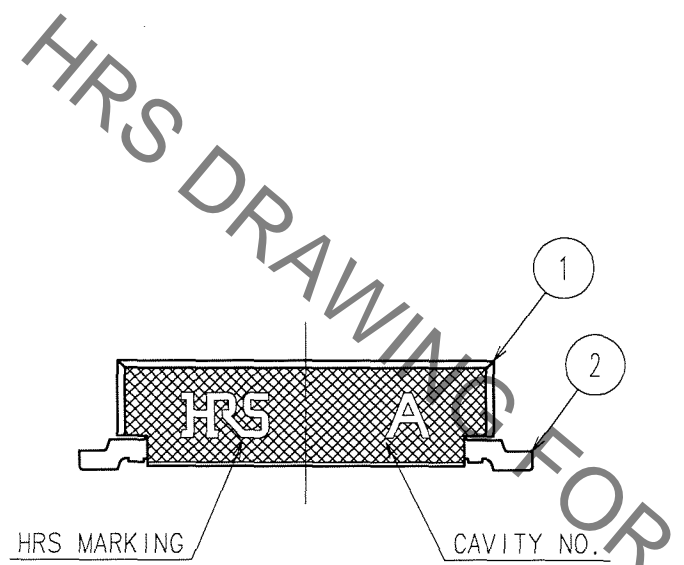


Fig.3 : MATING VIEW



- NOTES
- 1 LEAD CO-PLANARITY SHALL BE 0.1mm MAX.
 - 2 PLATING
CONTACT AREA : GOLD 0.1μ m MIN.
LEAD AREA : GOLD 0.02μ m MIN.
UNDER PLATING : NICKEL 1μ m MIN.
 - 3 WHEN A PART MARKED WITH HAS A PATTERN BUT NO RESIST ON IT, TAKE CARE TO PREVENT THE CONNECTOR FROM TOUCHING IT.
 - 4 THE DIMENSIONS IN PARENTHESES ARE FOR REFERENCE.

NO.	MATERIAL	FINISH, REMARKS	NO.	MATERIAL	FINISH, REMARKS
2	PHOSPHOR BRONZE	②	4	POLYESTER	CLEAR(COVER TAPE)
1	LCP	BLACK,UL94V-0	3	PS	CLEAR(EMBOSSED CARRIER TAPE)

CODE NO. (OLD)	DRAWN	DESIGNED	CHECKED	APPROVED	RELEASED
	A.Aoyagi	T.Yamanoto	T.Miyagaki	M.Hokamura	
	'07. 6. 6	07. 6. 6	07.06.06	07.06.07	

SCALE	DRAWING NO.	PART NO.
10 : 1	EDC3-163721-02	DF23C-14DS-0.5V(53)
UNITS	HRS HIROSE ELECTRIC CO., LTD	CODE NO.
mm		CL688-0300-2-53

TO

May.1.2023 Copyright 2023 HIROSE ELECTRIC CO., LTD. All Rights Reserved.
In case of consideration for using Automotive equipment / device which demand high reliability, kindly contact our sales window correspondents.

5		6			7			8	
COUNT	DESCRIPTION OF REVISIONS	BY	CHKD	DATE	COUNT	DESCRIPTION OF REVISIONS	BY	CHKD	DATE

B-B Fig.5 : STYLE AND DIMENSIONS OF REEL(FREE)

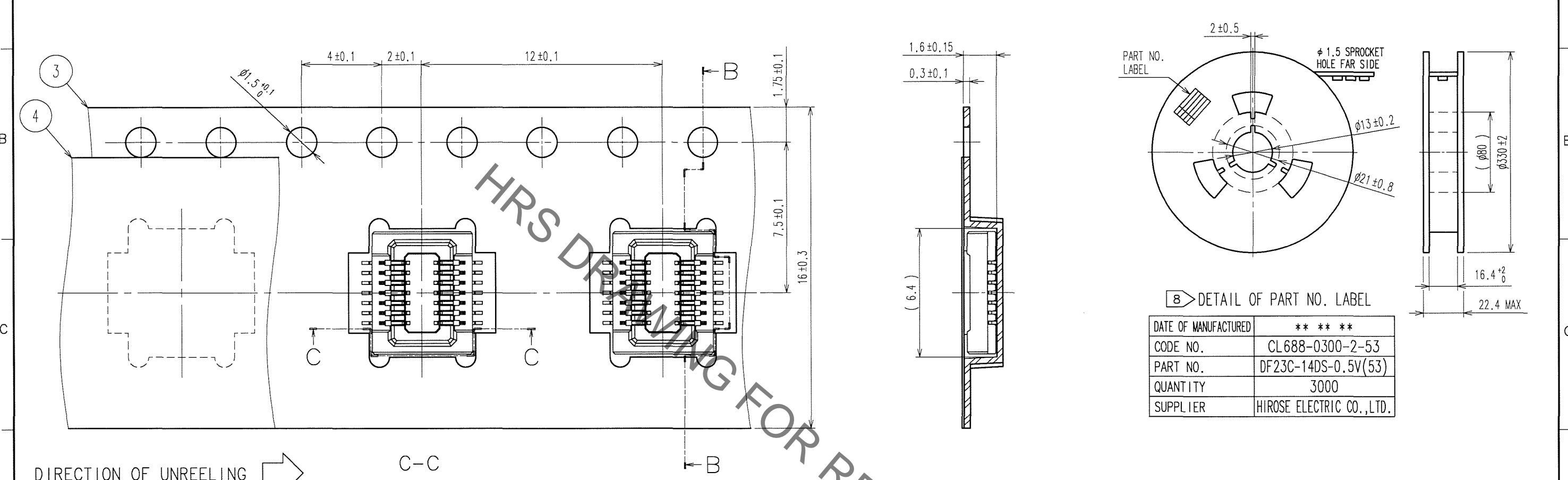
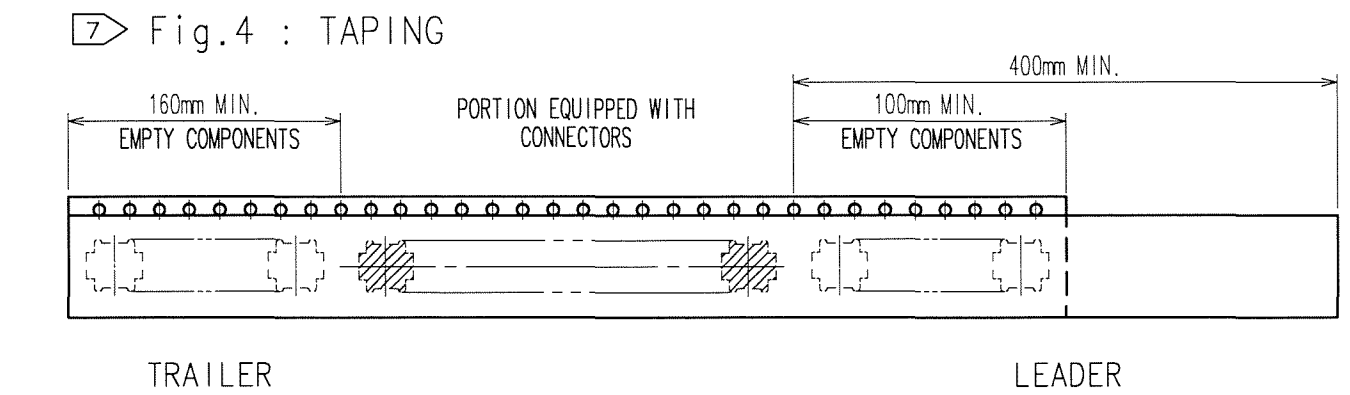
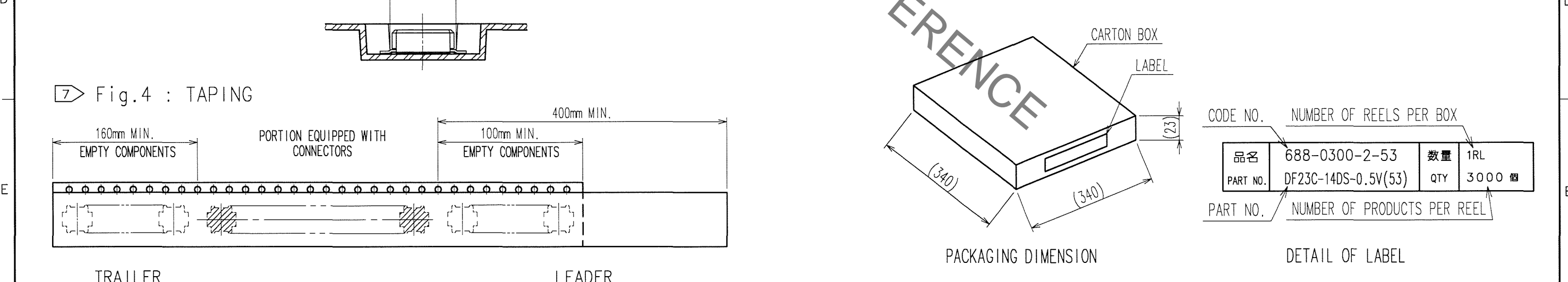


Fig.6 : PACKAGING SPECIFICATION (FREE)



NOTES
 5 PER REEL 3000 CONNECTORS
 6 THE DIMENSIONS IN PARENTHESES ARE FOR REFERENCE
 7 REFER TO JIS C 0806 (PACKAGING OF COMPONENTS FOR AUTOMATIC HANDLING)
 8 DETAIL OF PART NO. LABEL IS WRITTEN IN JAPANESE.

CODE NO. (OLD)	DRAWN A. Aoyagi '07. 6. 6	DESIGNED J. Yamamoto 07. 6. 6	CHECKED T. Mizogaki 07. 06. 06	APPROVED M. Nakamura 07. 06. 07	RELEASED
DRAWING NO. EDC3-163721-02		PART NO. DF23C-14DS-0.5V(53)			
SCALE 5 : 1		UNITS mm		CODE NO. CL688-0300-2-53	

TO