

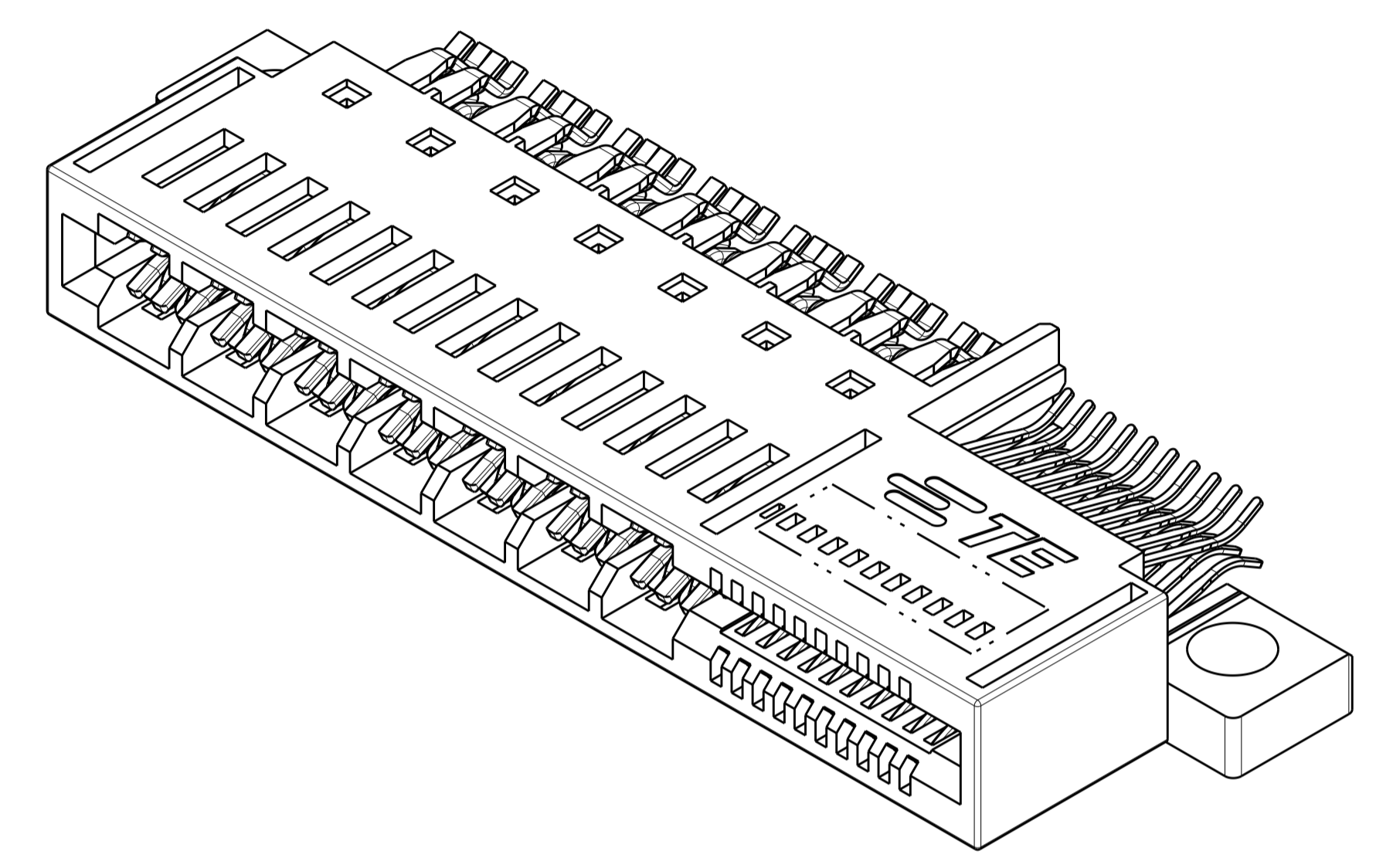
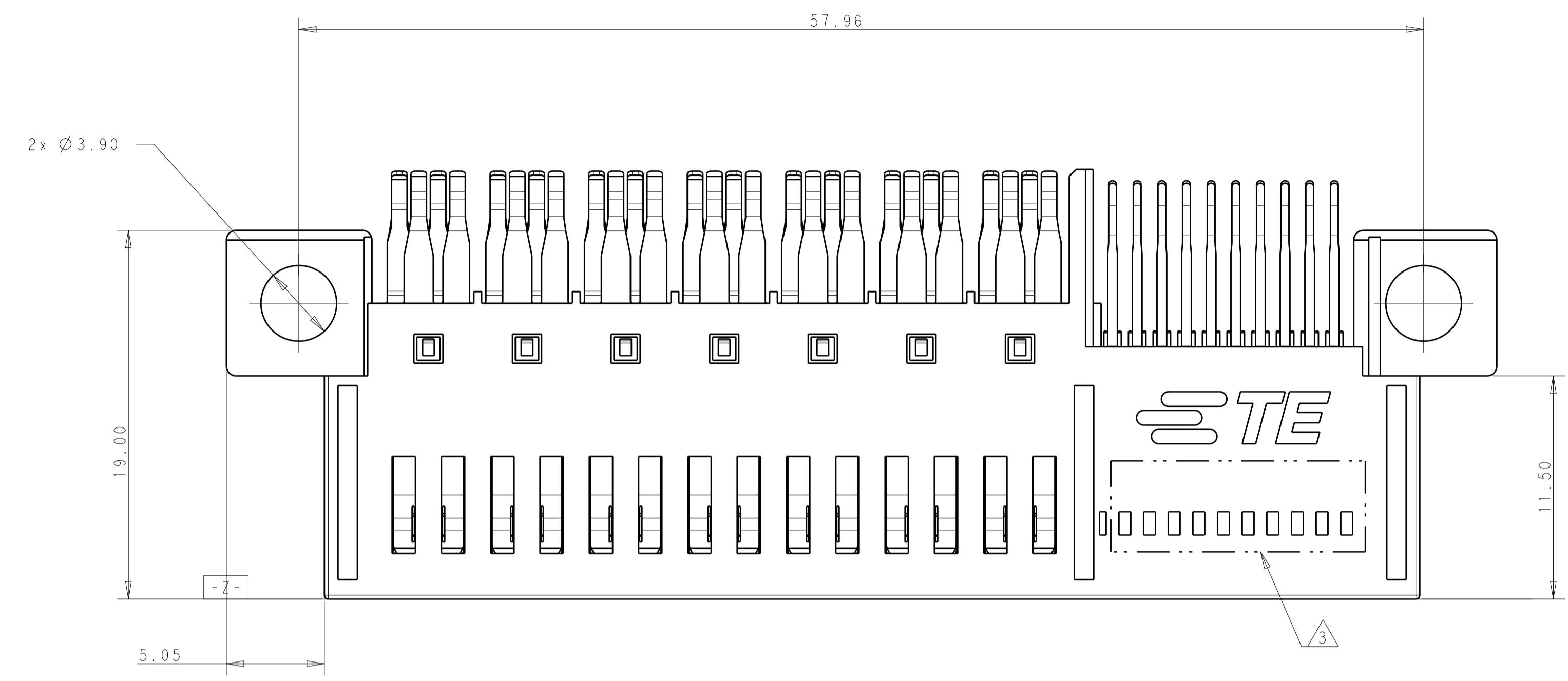
REVISIONS				
P	LTN	DESCRIPTION	DATE	OWN APVD
A		FIRST RELEASE	23JUN2020	SZ SZ

NOTES, UNLESS OTHERWISE SPECIFIED

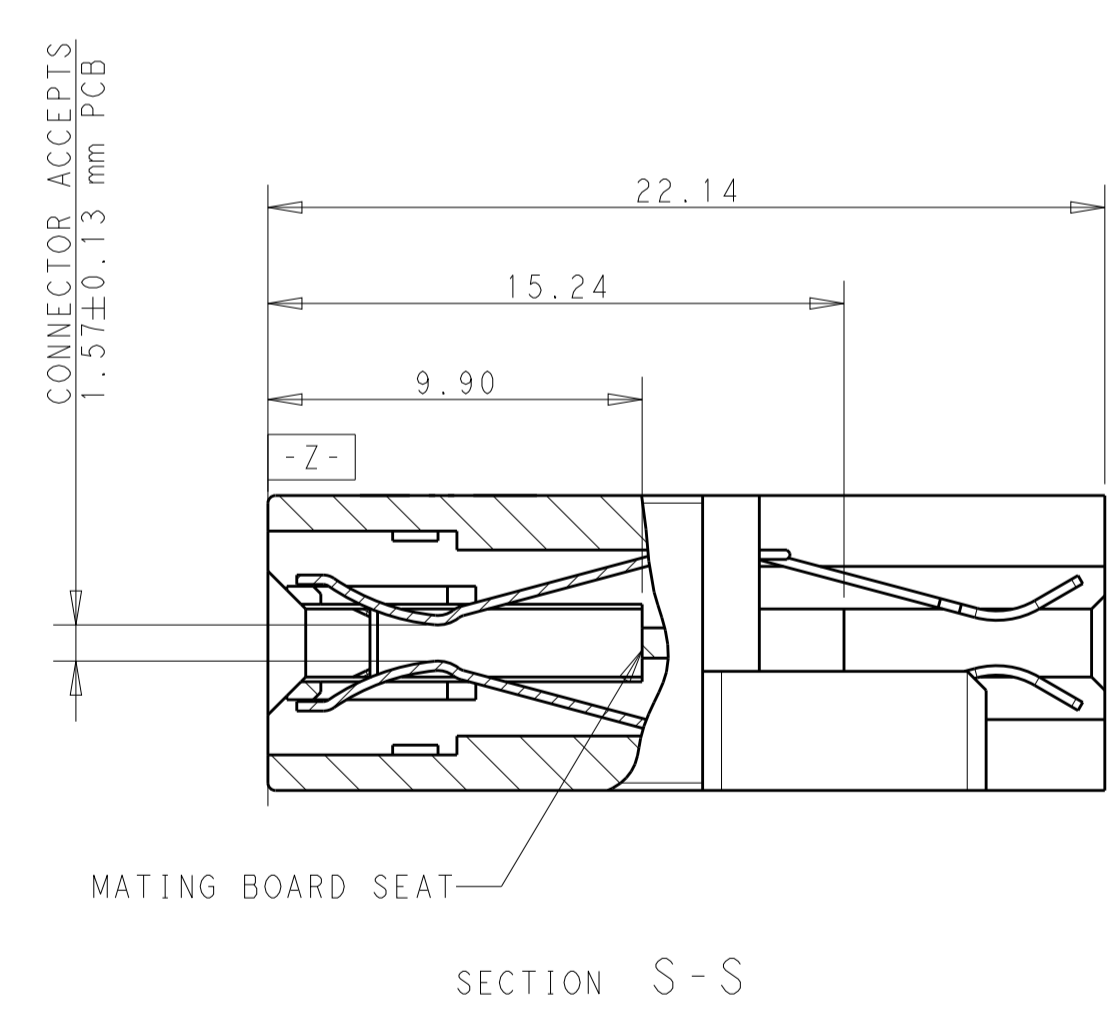
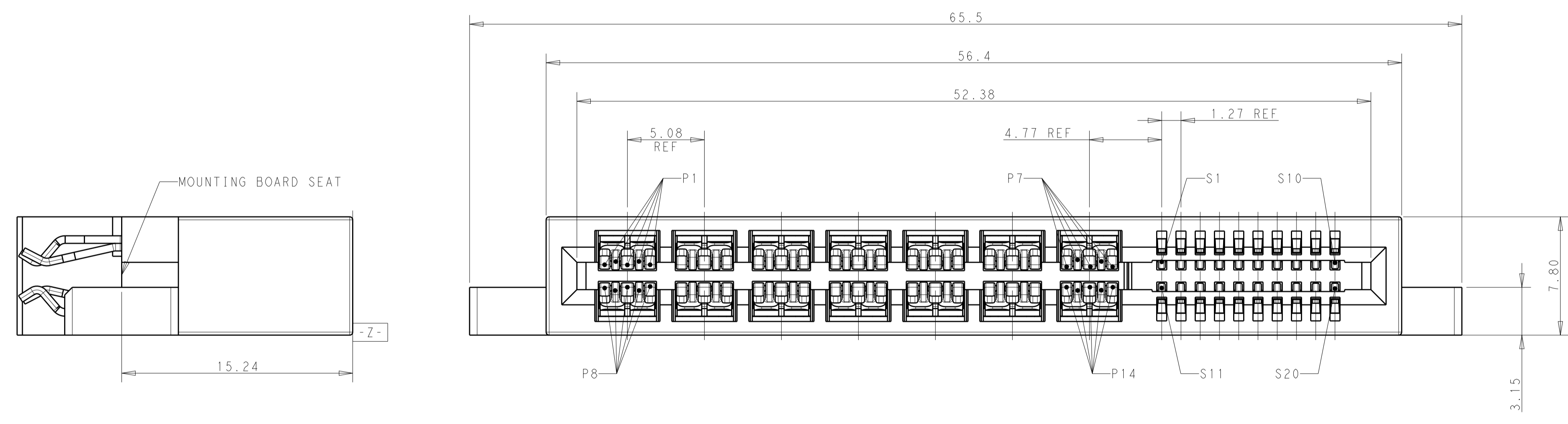
1. MATERIAL:
 HOUSING - THERMOPLASTIC, GLASS PREINFORCED, COLOR, BLACK, UL 94V-0
 CONTACTS - COPPER ALLOY.

2. FINISH:
 MATING AREA - NOBLE METAL OVERALL NICKEL.
 SOLDER TAIL - MATTE TIN OVERALL NICKEL.

3. MARK P/N AND DATA CODE IN APPROX. AREA AS SHOWN.



SCALE 4:1

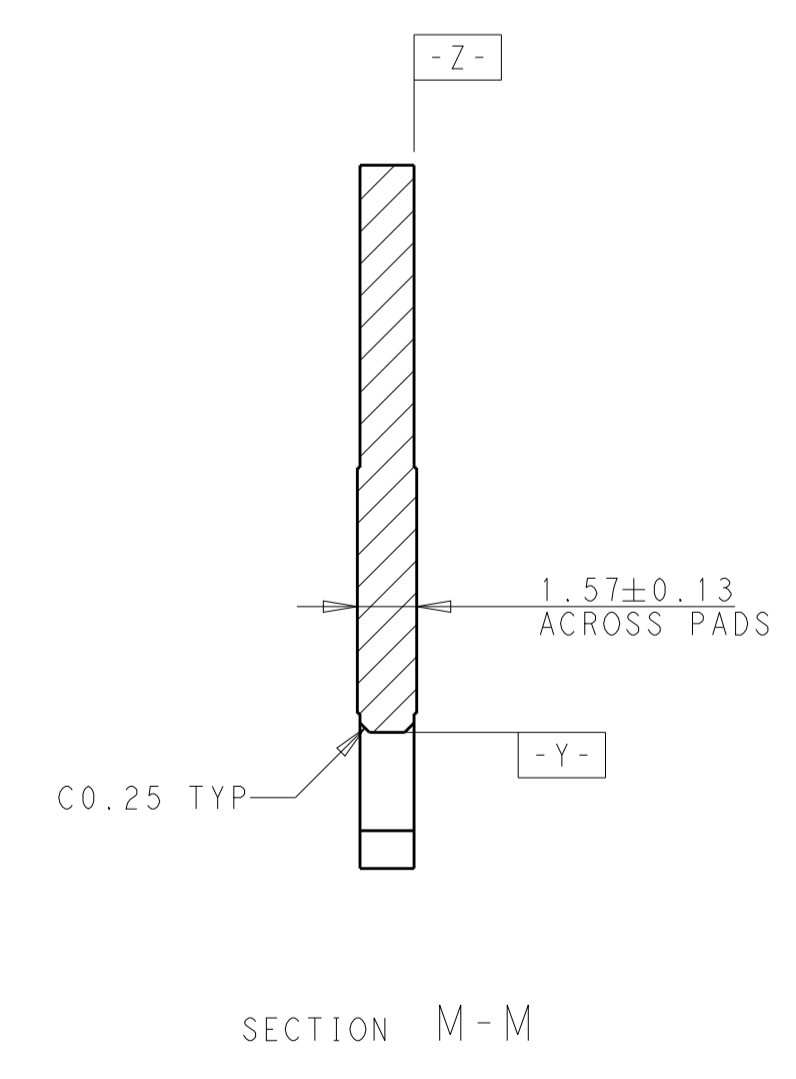
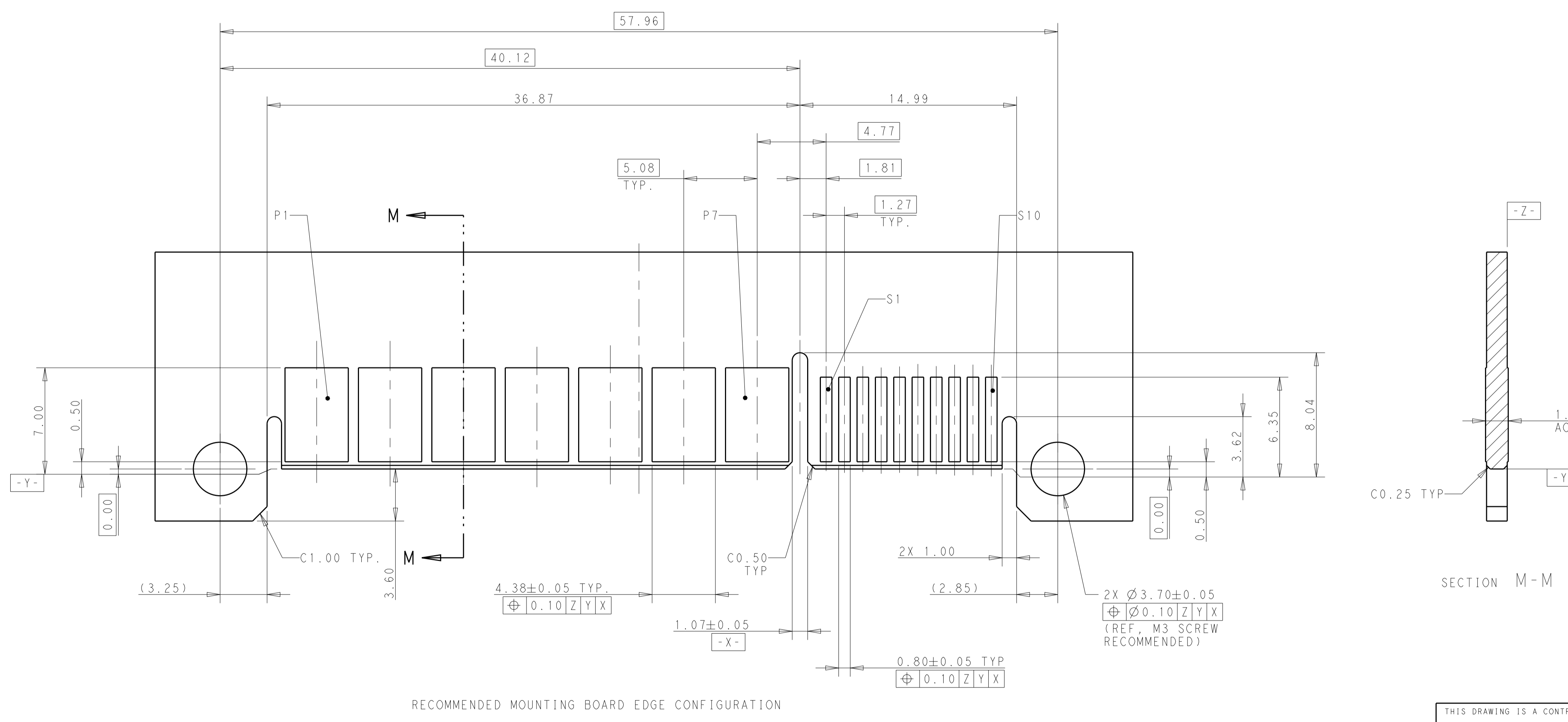
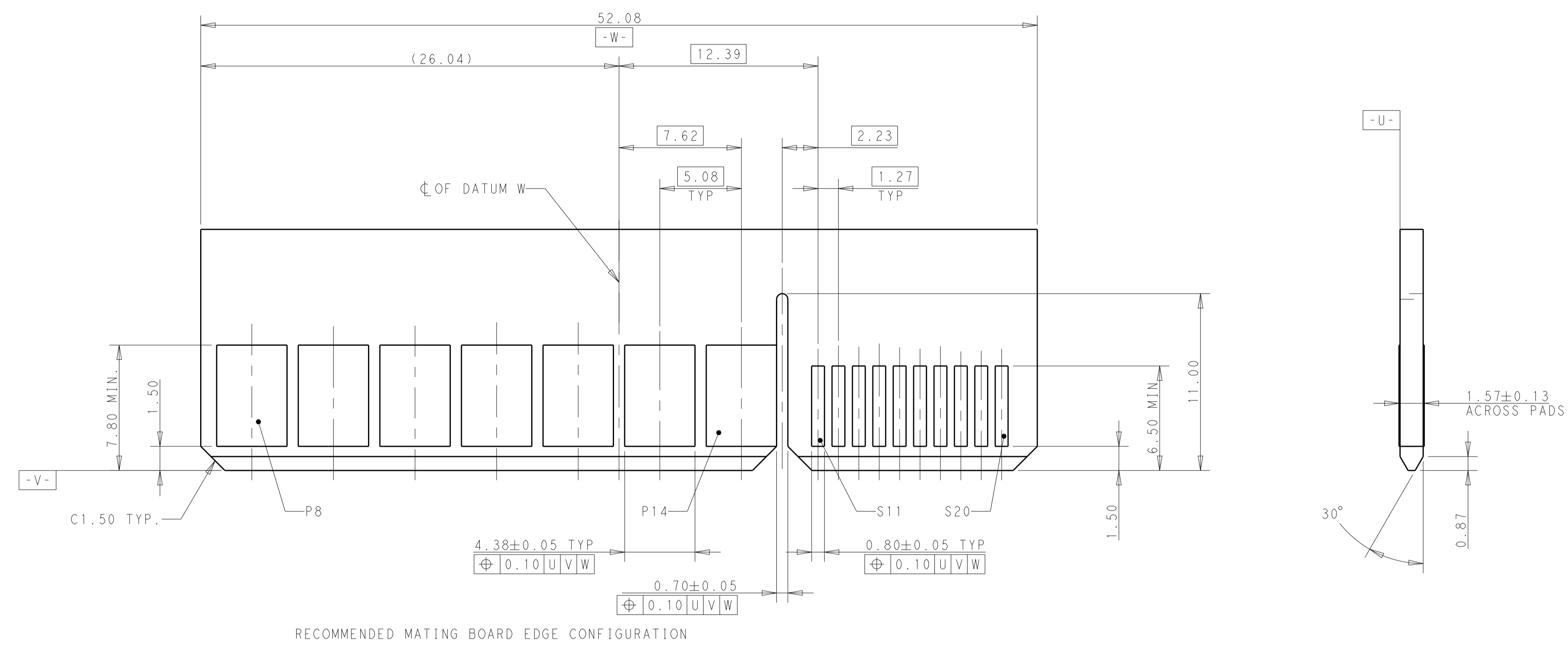


SECTION S-S

PART NUMBER 2360411-1

THIS DRAWING IS A CONTROLLED DOCUMENT.		OWN: SEAN ZHANG 30JUL2019	TE Connectivity	
DIMENSIONS:		CHK: SUNY ZHAO 30JUL2019	NAME: HD+ CARD EDGE	
mm	TOLERANCES UNLESS OTHERWISE SPECIFIED:	APVD: SUNY ZHAO 30JUL2019	PRODUCT SPEC: 2X7P-2X10S, STRA, WITH M-EAR	
	0 PLC ±	APPLICATION SPEC:	SIZE: A1	
	1 PLC ±0.5	WEIGHT:	CAGE CODE: C=2360411	
	2 PLC ±0.25	CUSTOMER DRAWING	RESTRICTED TO: A	
	3 PLC ±	SCALE: 2:1	SHEET 1 OF 2	
	4 PLC ±	REV: A		
	ANGLES ±			
	FINISH:			

REVISIONS				
P.	LTN	DESCRIPTION	DATE	APVD
		SEE SHEET 1		



THIS DRAWING IS A CONTROLLED DOCUMENT.		DWN: SEAN_ZHANG	30JUL2019	 TE Connectivity
DIMENSIONS: mm		CHK: SUNY_ZHAO	30JUL2019	
TOLERANCES UNLESS OTHERWISE SPECIFIED:		APVD: SUNY_ZHAO	30JUL2019	NAME: HD+ CARD EDGE
0 PLC	±	PRODUCT SPEC		2X7P-2X10S, STRA, WITH M-EAR
1 PLC	±0.10	APPLICATION SPEC		
2 PLC	±0.05			
3 PLC	±			
4 PLC	±			
ANGLES	±			
MATERIAL: TBD		WEIGHT:		SIZE: A1
				CAGE CODE: C=2360411
		CUSTOMER DRAWING	SCALE: 2:1	SHEET 2 OF 2