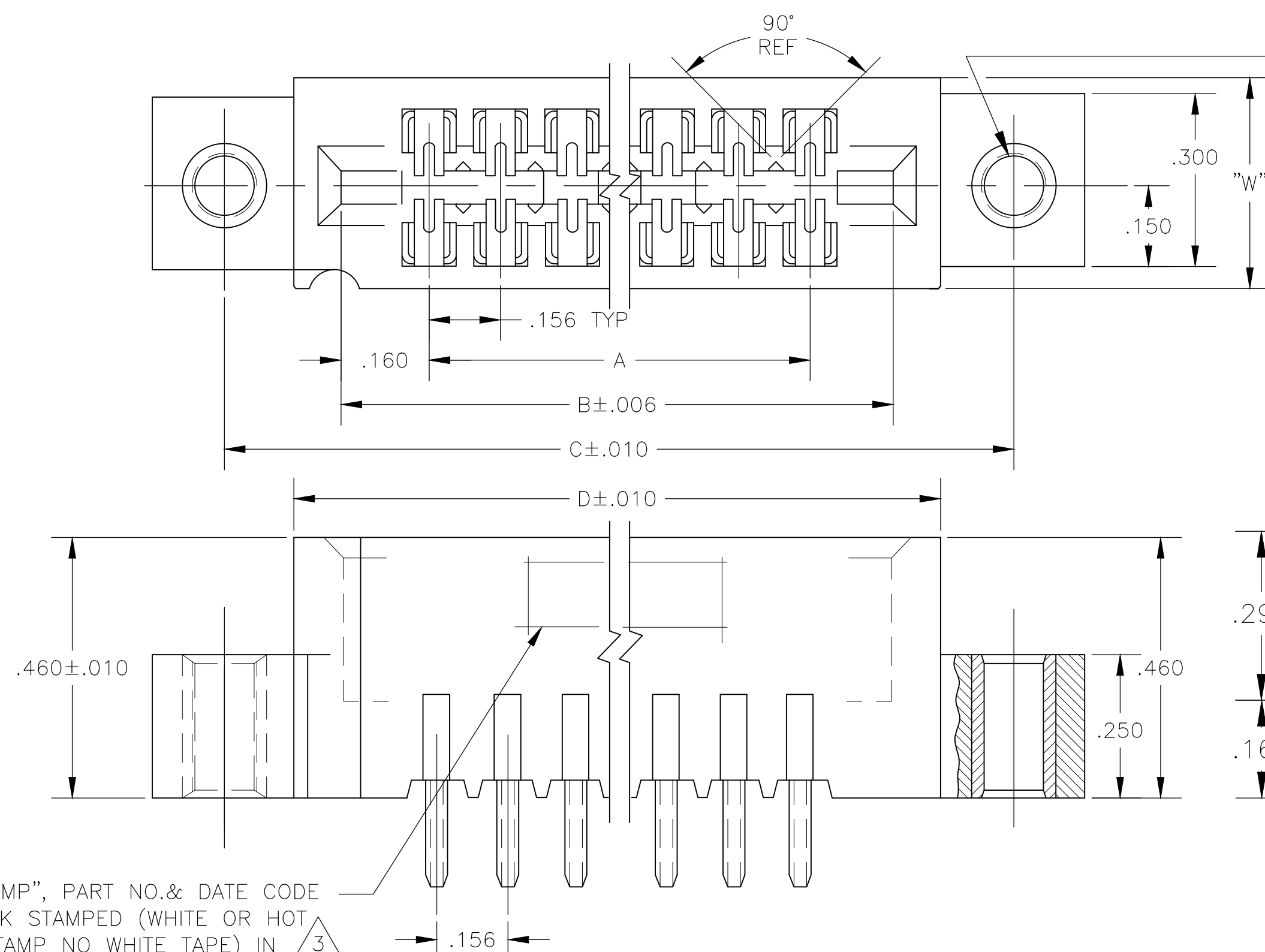
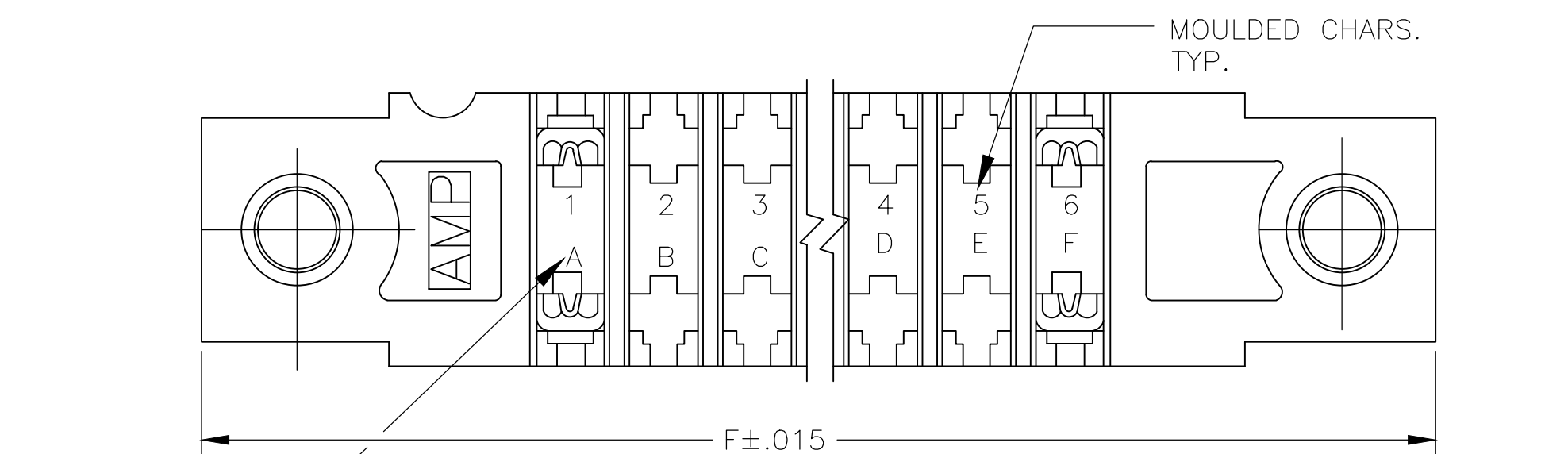


REVISIONS					
P	LTR	DESCRIPTION	DATE	DWN	APVD
K		REVISED PER ECO-20-000170	21MAY2020	KR	JO

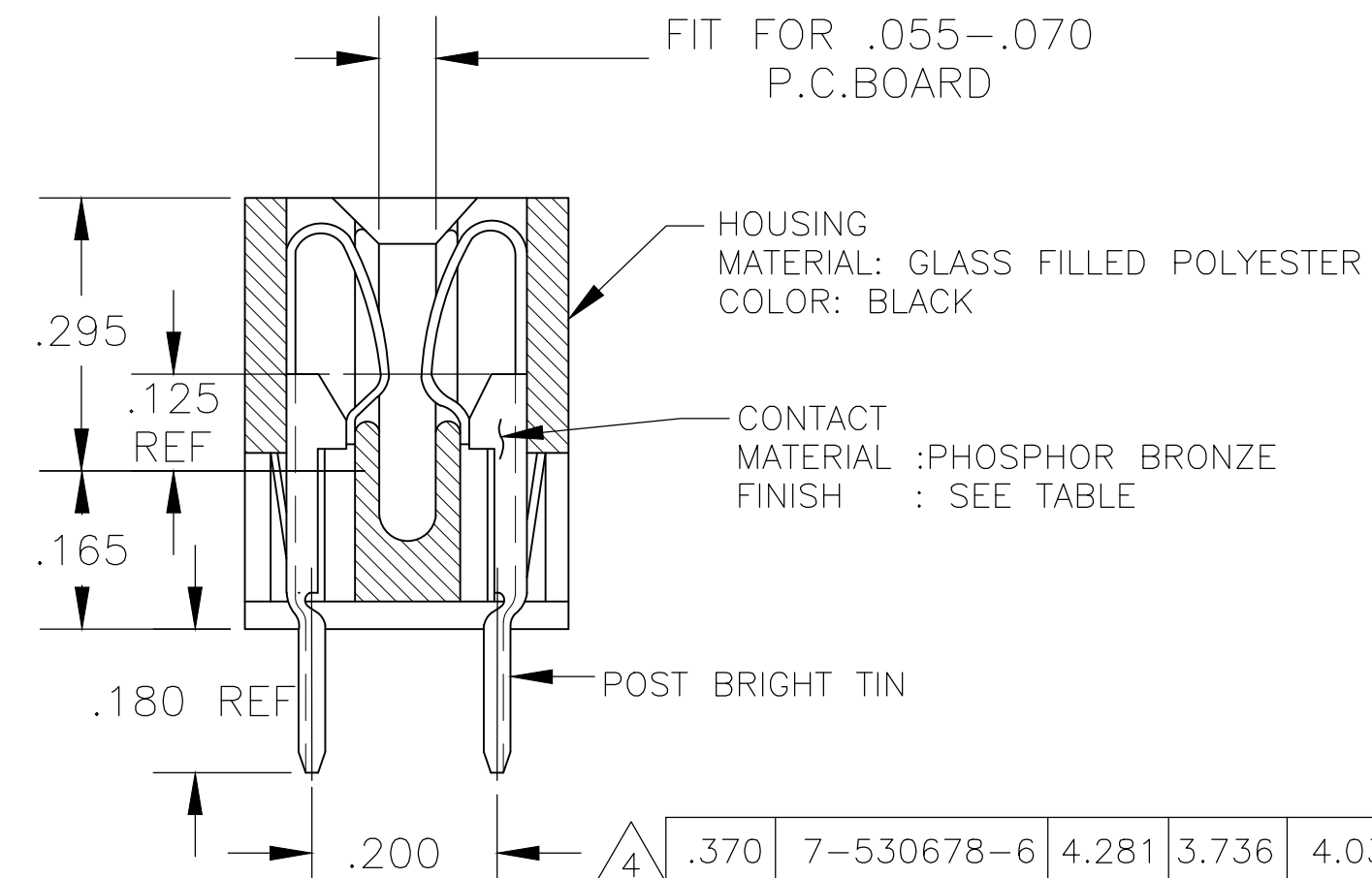


THREADED INSERT
MATERIAL: BRASS
4-40 NC-2B
2 REQ'D

- 1 .000015 MIN. GOLD OVER .000050 MIN. NICKEL IN CONTACT AREA
- 2 .000030 MIN. GOLD OVER .000050 MIN. NICKEL IN CONTACT AREA
- 3 ALL PARTS ASSEMBLED IN MEXICO MUST BE STAMPED "ASSY IN MEXICO" THE WORD "MEXICO" CAN BE SUBSTITUTED ONLY WHERE PART SIZE PROHIBITS STAMPING "ASSY IN MEXICO" INK STAMP COLOR WHITE OR HOT STAMP (NO WHITE TAPE) 115-9009, APPROX. WHERE SHOWN, SIDE OPTIONAL.
- 4 MATTE TIN PLATED CONTACT TAILS



MOULDED CHARACTERS UPPER AND LOWER CASE LETTERS OMITTING LETTERS G, I, O & Q



FIT FOR .055-.070 P.C.BOARD

HOUSING MATERIAL: GLASS FILLED POLYESTER
COLOR: BLACK
CONTACT MATERIAL: PHOSPHOR BRONZE
FINISH: SEE TABLE
POST BRIGHT TIN

.370	7-530678-6	4.281	3.736	4.031	3.596	3.276	22	-
.370	3-530678-3	7.755	7.012	7.307	3.285	6.552	43	1-530678-3
.437	3-530678-2	5.217	4.672	4.967	6.872	4.212	28	1-530678-2
.437	3-530678-1	7.713	7.168	7.463	4.532	6.028	44	1-530678-1
.437	3-530678-0	6.465	5.920	6.215	7.028	5.460	36	1-530678-0
.370	2-530678-9	5.529	4.984	5.279	5.780	4.524	30	530678-9
.370	2-530678-8	4.749	4.204	4.499	4.844	3.744	25	530678-8
.370	2-530678-7	4.593	4.048	4.343	4.064	3.588	24	530678-7
.370	2-530678-6	4.281	3.736	4.031	3.596	3.276	22	530678-6
.370	2-530678-5	3.657	3.112	3.407	2.972	2.652	18	530678-5
.370	2-530678-4	3.189	2.644	2.939	2.504	2.184	15	530678-4
.370	2-530678-3	2.721	2.176	2.471	2.036	1.716	12	530678-3
.370	2-530678-2	2.409	1.864	2.159	1.724	1.404	10	530678-2
.370	2-530678-1	1.785	1.240	1.535	1.100	.780	6	530678-1
W	PART NO.	F	D	C	B	A	NO OF POSN.	PART NO.

OBSOLETE

THIS DRAWING IS A CONTROLLED DOCUMENT.

DWN	15JUL75	 TE Connectivity	HOUSING ASSY, LOW PROFILE EDGE CONNECTOR. FLOW SOLDER POST FOR .052 DIA. HOLE, .156 X .200 CENTERS
CHK	15JUL75		
APVD	16JUL75		
DIMENSIONS: INCHES		PRODUCT SPEC	SIZE
TOLERANCES UNLESS OTHERWISE SPECIFIED:		APPLICATION SPEC	CAGE CODE
0 PLC	± -	WEIGHT	DRAWING NO
1 PLC	± -	CUSTOMER DRAWING	RESTRICTED TO
2 PLC	± -	SCALE 5:1	SHEET 1 OF 1
3 PLC	± -	REV K	
4 PLC	± -		
ANGLES	± -		
MATERIAL	FINISH		