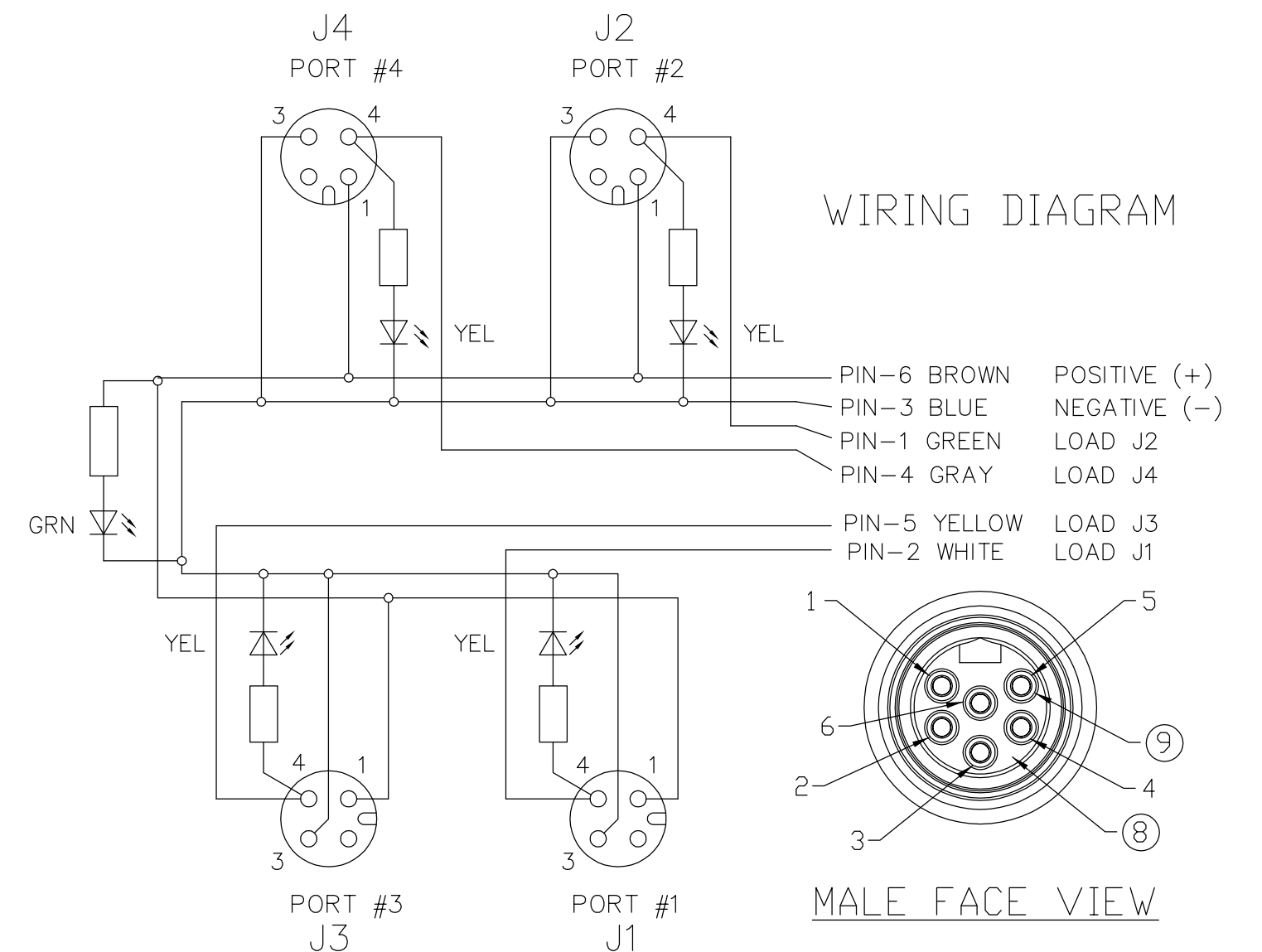
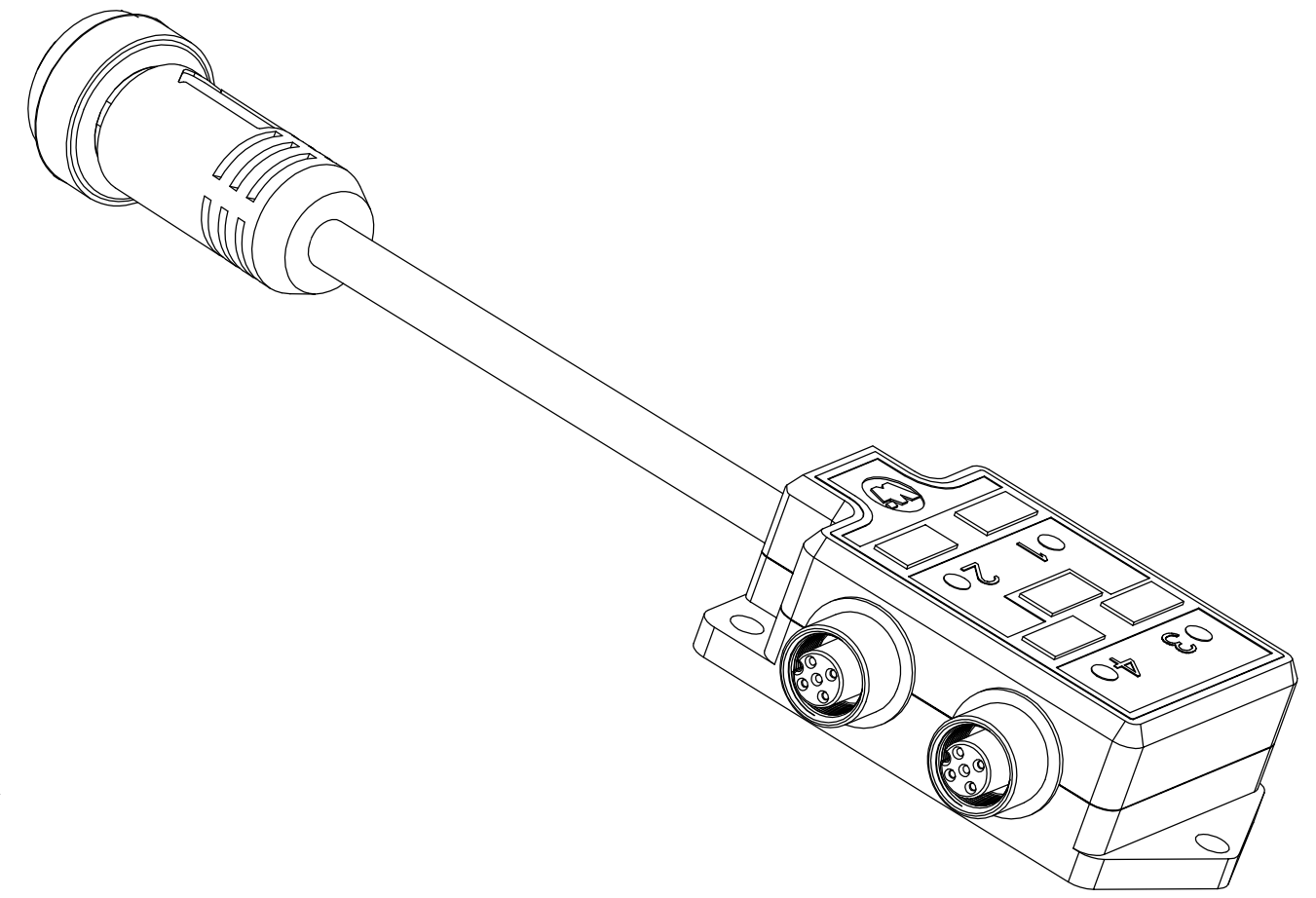
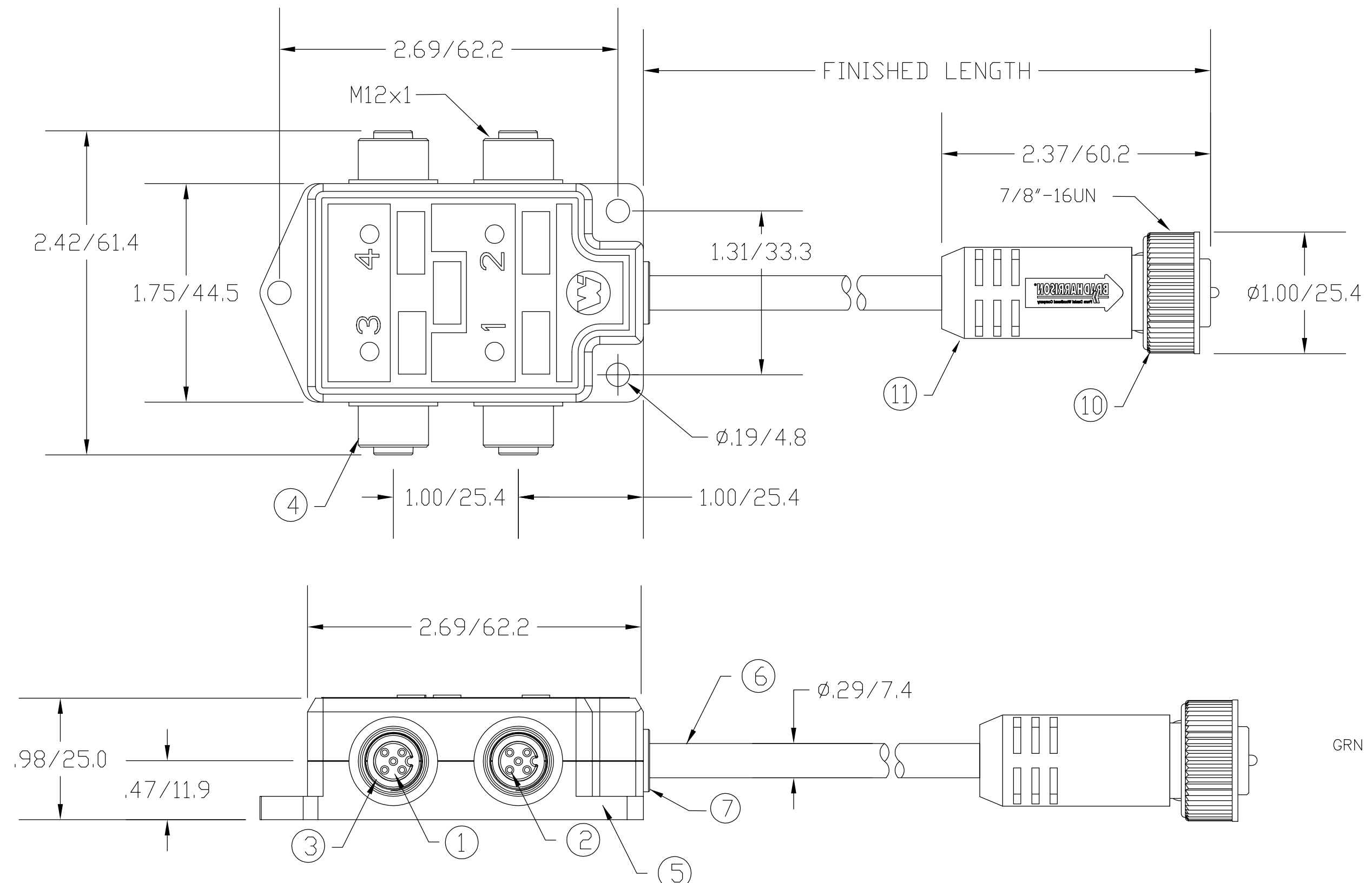


MATERIAL NUMBER	OLD PART NUMBER	FINISHED LENGTH
120115-0047	803P402	1.00' +.75" -0 [3M +19.1 -0]



VOLTAGE RATING	10-30 VDC
AMPERAGE RATING PER PORT	4 AMPS
PROTECTION	IP67
OPERATING TEMPERATURE	-20°C TO 90°C

ITEM	COMPONENT	MATERIAL	FINISH
1	INSERT	NYLON	BLACK
2	CONTACT SOCKET	COPPER ALLOY	GOLD OVER NICKEL
3	O-RING	NITRILE	RED
4	RECEPTACLE SHELL	ZINC DIE CAST	BLACK E-COATED
5	HOUSING	NYLON	YELLOW
6	CABLE- 18AWG, (41 X #34), 1 CONDUCTOR; 22 AWG (26 X #36), 5 CONDUCTOR, 300V	PVC	YELLOW
7	GROMMET	NITRILE	BLACK
8	INSERT	PVC	YELLOW
9	CONTACT PIN	COPPER ALLOY	GOLD OVER NICKEL
10	COUPLING NUT	ZINC DIE CAST	BLACK E-COATED
11	OVERMOLD	PVC	YELLOW

RLSO DRAWING EC NO: WNA2009-0641 DRWN: BWOODMAN 3/30/09 CH'KD: JM APPR: JFMURPHY 2009/04/08 A	QUALITY SYMBOL ▽=0 ◁=0	GENERAL TOLERANCES (UNLESS SPECIFIED) 4 PLACES ±--- 3 PLACES ±--- 2 PLACES ±--- ±.01 1 PLACE ±0.3 ±--- ANGULAR ±---° DRAFT WHERE APPLICABLE MUST REMAIN WITHIN DIMENSIONS	DIMENSION STYLE IN/MM DRAWN BY DATE BW 2009/03/31 CHECKED BY DATE VO 2009/03/31 APPROVED BY DATE	SCALE --- DESIGN UNITS --- THIRD ANGLE PROJECTION	TITLE MICRO-CHANGE MPIS 4 PORT SIDE MOUNT PNP MC 6P M/MP PVC MOLEX INCORPORATED MATERIAL NO. SEE CHART DOCUMENT NO. SD-120115-003 SHEET NO. 1 OF 1
	THIS DRAWING CONTAINS INFORMATION THAT IS PROPRIETARY TO MOLEX INCORPORATED AND SHOULD NOT BE USED WITHOUT WRITTEN PERMISSION				