

SC SIMPLEX MULTIMODE PC 128 OPTICAL PLUG
 FOR A Ø2.0 mm OM3 CABLE

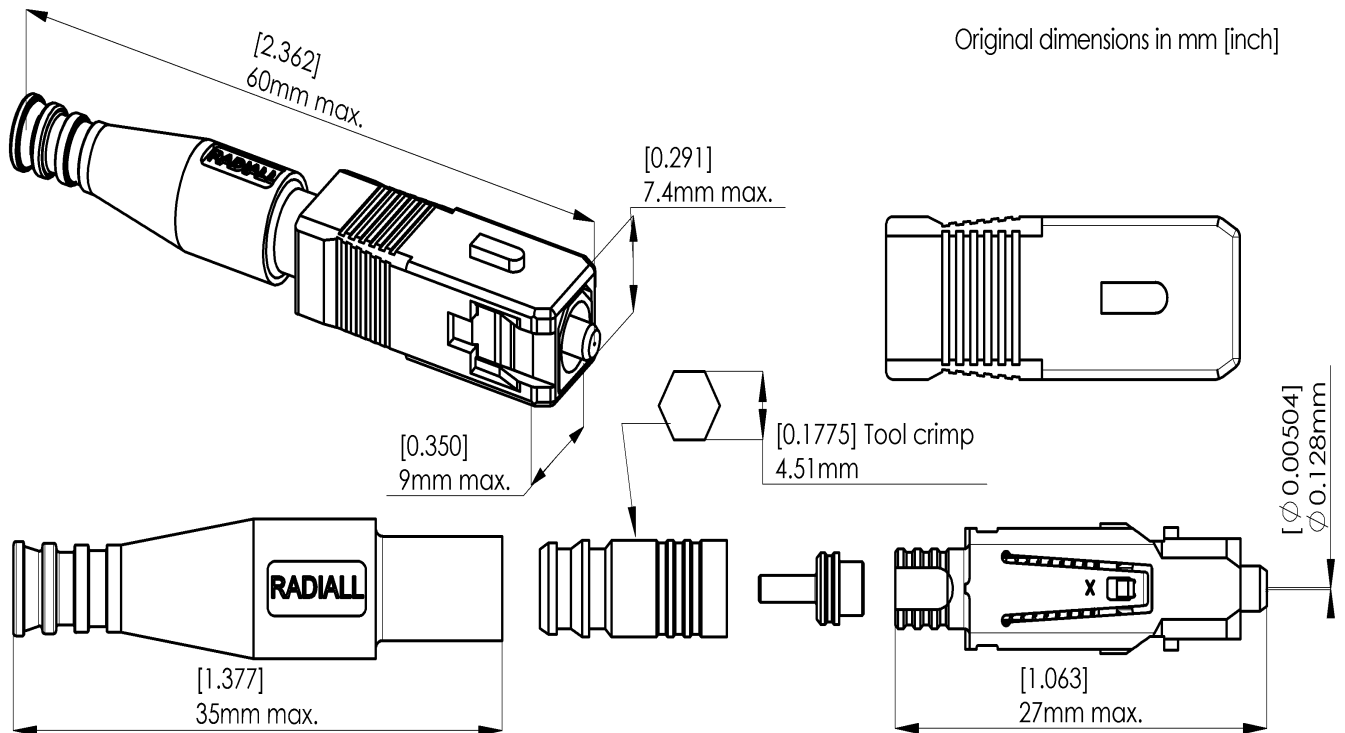
 Packaging
 100

 Series
 SC

 Issue
 29 dec 2010

 Page
 1 / 2

Outer plug body : color Beige Boot color : AQUA



GENERAL

- TYPE**
IEC 61754-4 type SC
Multimode Zirconia ferrule (20 mm pre-radius)
Push-pull latching system
Floating ferrule
360° tunable (adjustable to 6 positions for optimization of random insertion loss)
- FERRULE SIZE**
128 µm
- FIBER SIZE**
50/125 or 62,5/125µm multimode
- CABLE SIZE & TYPE**
Ø 2.0mm cable, tight or semi loose structure
- CABLING PROCEDURE**
Refer to 503 08 400 (D 6121 oe) assembly instruction manual

CREATION					RADIALL [®]
N°:					101, rue P. Hoffmann
PEN/EP : EPM 1005					93116 ROSNY/BOIS
Name: S.P					FRANCE
Date: 29.12.2010					Tel : (33) 0149353535
Appr.: H.D	Issue	Revisions	Name	Appr.	Fax : (33) 0148546363



SC SIMPLEX MULTIMODE PC 128 OPTICAL PLUG FOR A Ø2.0 mm OM3 CABLE

Packaging 100

Series SC

Issue 29 dec 2010

Page 2 / 2

Outer plug body : color Beige Boot color : AQUA

CHARACTERISTICS (Depending on fiber or cable construction)

OPTICAL Attenuation at 850 nm and 1310nm with LED source, at EMD condition

Attenuation plug mated with reference plug: IEC 61300-3-4

Table with 2 columns: PARAMETER, STD. Rows: Mean (< 0.20 dB), Standard deviation (0.08 dB)

Attenuation of random mated connectors: IEC 61300-3-34

Table with 2 columns: PARAMETER, STD. Rows: Mean (0.25 dB), Max (< 0.75 dB 95%)

Maximum loss variation: IEC 61300-2-2 / IEC 61300-3-6

Table with 2 columns: PARAMETER, STD. Rows: Repeatability (0.10 dB), Return Loss (>20 dB)

MECHANICAL Mechanical Endurance 200 matings Cable retention 100 N

ENVIRONMENTAL Storage temperature range -40 °C to +85 °C Operating temperature range -40 °C to +85 °C

Table with 5 columns: CREATION, Issue, Revisions, Name, Appr., and RADIALL contact info.