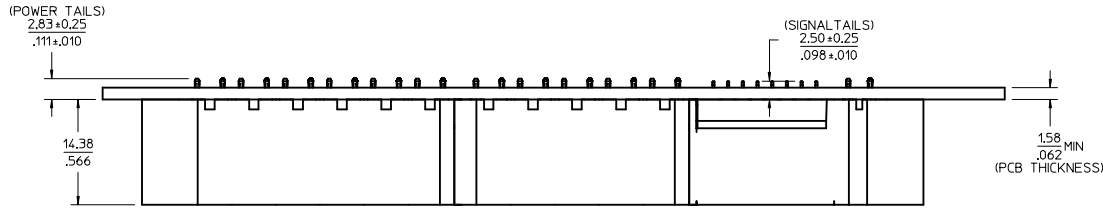
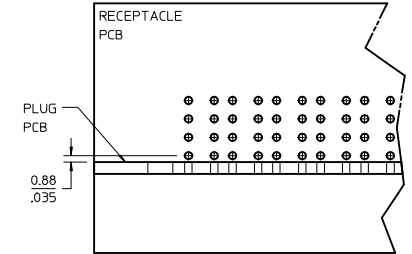
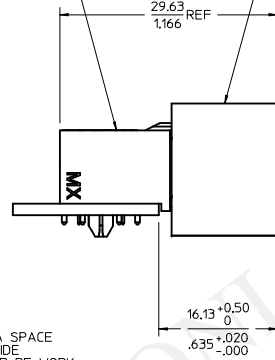


3D MODEL NO.: TM-171088-0025



PLUG ASSY
P/N:171088-0025

VERT RECEPTACLE ASSY
P/N:171089-0025



PARTIAL1

106.45±0.75
4.191±0.30

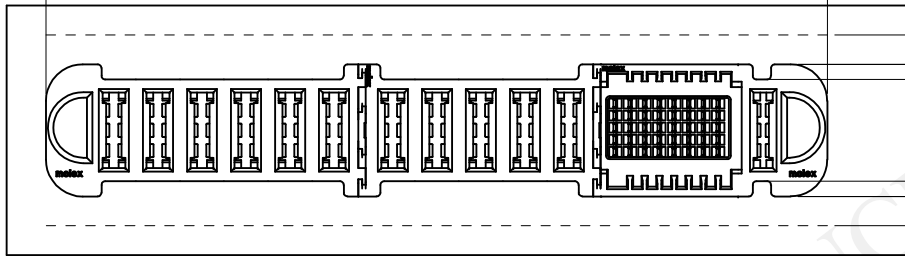
ALLOW EXTRA SPACE
4.00mm PER SIDE
(REQUIRED FOR RE-WORK
SEE AS-46436-100)

4.00 REF
.157

13.88
.546

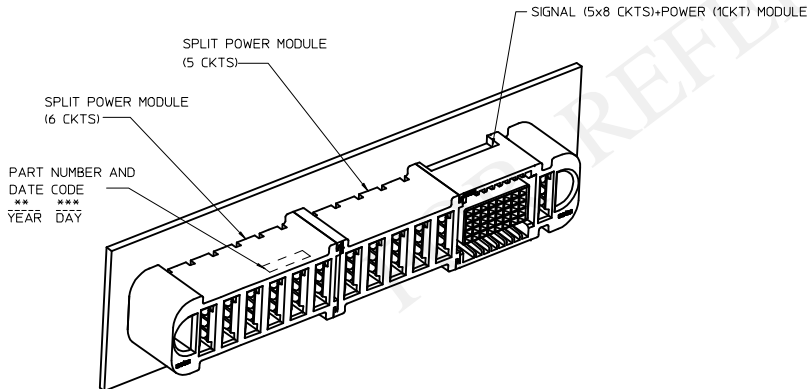
18.00
.709

4.00 REF
.158

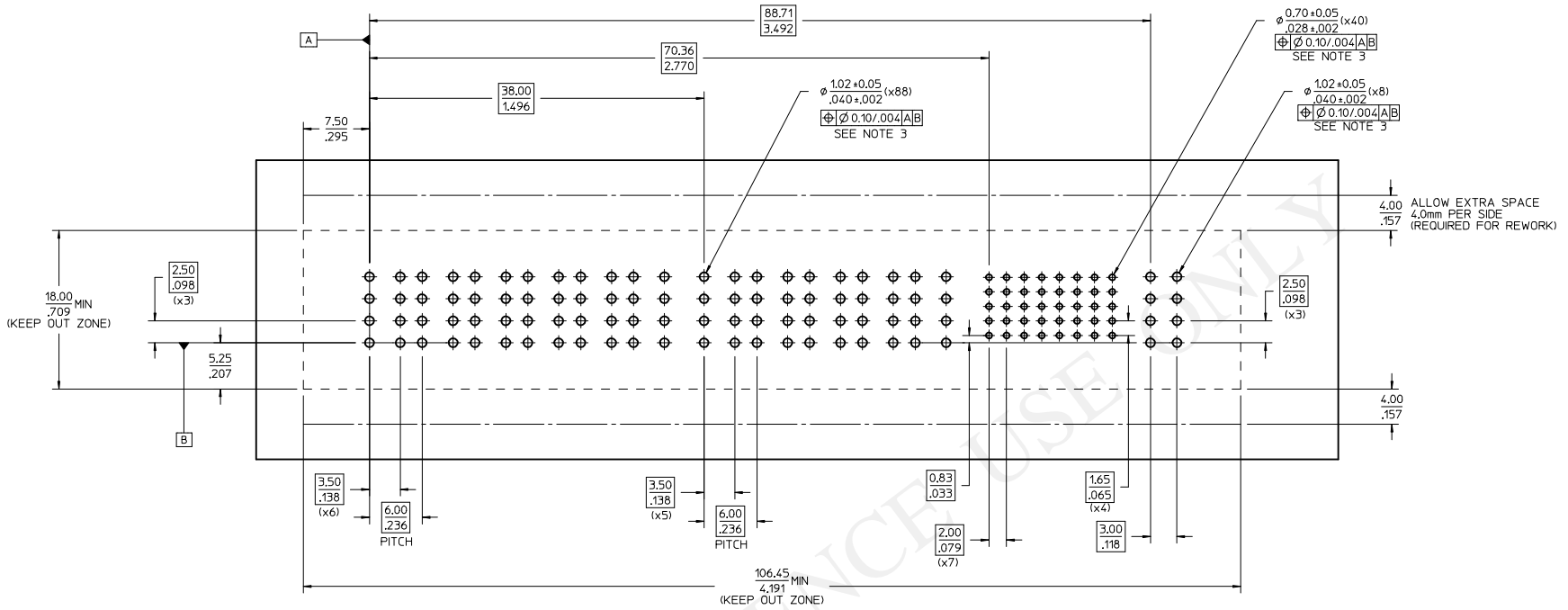


NOTES:

- MATERIAL:
- HOUSINGS: LCP UL94, V-0, COLOR: BLACK.
- TERMINALS: COPPER ALLOY.
- PLATING: 1.27 MICROMETER (50 MICROINCH) NICKEL OVERALL
WITH 2.54 MICROMETER (100 MICROINCH) SELECTIVE TIN ON TAILS
AND 0.762 MICROMETER (30 MICROINCH) SELECTIVE GOLD ON CONTACT AREA
- PACKAGING: ASSEMBLIES TO BE TRAY PACKED PER PACKAGING SPEC PK-171089-0001
- PLATED THRU HOLE SIZE REFERS TO PS-171088-0000 FOR DETAILS
- PRODUCT SPEC: PS-171088-0000
- APPLICATION SPEC: AS-46436-100
- SEE PRODUCT SPEC FOR ROHS REQUIREMENTS
- ASSEMBLY MATES TO MOLEX PLUG ASSEMBLY P/N 171088-0025
- TAIL DESIGN: COMPLIANT PIN
- POWER AND SIGNAL CONTACTS ARE LUBRICATED.



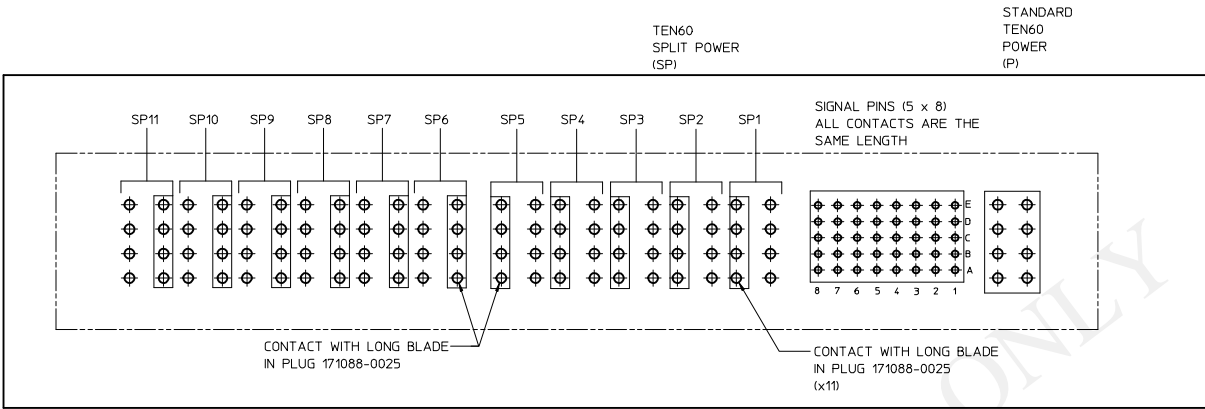
REVISE NOTE IEC NO. UCF2016-1405 DRAWN: JUILLES 2015/09/30 CHECKED: LIN 2015/09/30 APPR: JUILLES 2015/09/30	QUALITY SYMBOLS ▽=0 ▽=0 ▽=0	GENERAL TOLERANCES (UNLESS SPECIFIED)		DIMENSION STYLE MM/IN	SCALE 3:1	DESIGN UNITS METRIC	THIRD ANGLE PROJECTION	
		4 PLACES ±--- ±--- 3 PLACES ±--- ±--- 2 PLACES ±0.13 ±--- 1 PLACE ±0.25 ±--- 0 PLACE ±--- ±---	mm INCH	DRAWN BY DATE VLIN 2012/09/13	CHECKED BY DATE	TITLE TEN60 SPLIT POWER VERT ASSY G-1P-40S-5SP-6SP-G		
		ANGULAR ±1/2° DRAFT WHERE APPLICABLE MUST REMAIN WITHIN DIMENSIONS		APPROVED BY DATE VLIN 2012/10/10	MATERIAL NO. 171089-0025	DOCUMENT NO. SD-171089-0025	SHEET NO. 1 OF 3	
		THIS DRAWING CONTAINS INFORMATION THAT IS PROPRIETARY TO MOLEX INCORPORATED AND SHOULD NOT BE USED WITHOUT WRITTEN PERMISSION						



RECOMMENDED PCB LAYOUT AND KEEP OUT ZONE
(SEE SHEET 3 FOR PIN ASSIGNMENT)

FOR REFERENCE ONLY

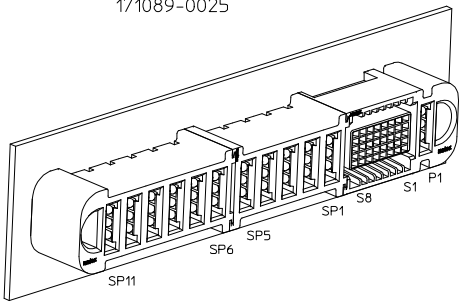
SEE SHEET 1 IEC NO. UCP2016-1405 2015/09/30 CHYK:JLJN 2015/09/30 APPR:JLJL 2015/09/30 REV:	QUALITY SYMBOLS	GENERAL TOLERANCES (UNLESS SPECIFIED)	DIMENSION STYLE	SCALE	DESIGN UNITS	THIRD ANGLE PROJECTION
	▽=0	mm INCH	MM/IN	4:1	METRIC	☉
	▽=0	4 PLACES ± --- ± ---	DRAWN BY DATE	VL IN 2012/09/13	TITLE	
	▽=0	3 PLACES ± 0.13 ± ---	CHECKED BY DATE	VL IN 2012/10/10	TEN60 SPLIT POWER VERT ASSY	
	ANGULAR ±1/2°	DRAFT WHERE APPLICABLE MUST REMAIN WITHIN DIMENSIONS	MATERIAL NO.	DOCUMENT NO.	SHEET NO.	
			171089-0025	SD-171089-0025	2 OF 3	
			THIS DRAWING CONTAINS INFORMATION THAT IS PROPRIETARY TO MOLEX INCORPORATED AND SHOULD NOT BE USED WITHOUT WRITTEN PERMISSION			



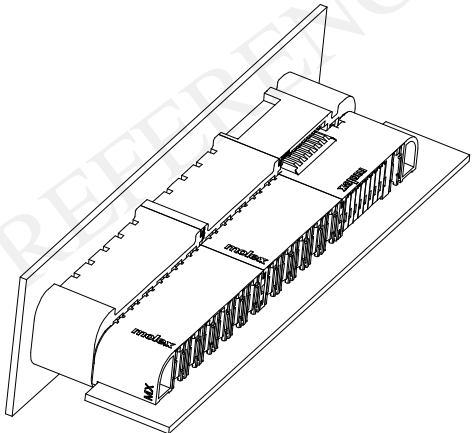
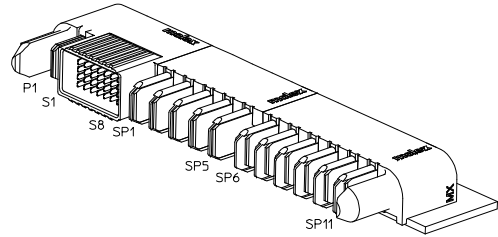
PCB PIN ASSIGNMENT

PLEASE ALSO REFER TO PLUG DRAWING
P/N: 171088-0025

171089-0025



171088-0025



<p>SEE SHEET 1 EC NO: UCP2016-1405 DRAWN: JUILLES 2015/09/30 CHKD: VILIN 2015/09/30 APPR: JUILLES 2015/09/30</p>	<p>QUALITY SYMBOLS</p> <p>▽=0</p> <p>▽=0</p> <p>▽=0</p>	<p>GENERAL TOLERANCES (UNLESS SPECIFIED)</p>		<p>DIMENSION STYLE</p> <p>MM/IN</p>	<p>SCALE</p> <p>4:1</p>	<p>DESIGN UNITS</p> <p>METRIC</p>	<p>THIRD ANGLE PROJECTION</p>		
		<p>4 PLACES ±</p> <p>3 PLACES ±</p> <p>2 PLACES ±0.13</p> <p>1 PLACE ±0.25</p> <p>0 PLACE ±</p>	<p>mm</p> <p>INCH</p>	<p>DRAWN BY</p> <p>VILIN</p>	<p>DATE</p> <p>2012/09/13</p>	<p>TITLE</p> <p>TEN60 SPLIT POWER VERT ASSY</p> <p>G-1P-40S-5SP-6SP-G</p>			
		<p>ANGULAR ±1/2°</p> <p>DRAFT WHERE APPLICABLE MUST REMAIN WITHIN DIMENSIONS</p>	<p>APPROVED BY</p> <p>VILIN</p>	<p>DATE</p> <p>2012/10/10</p>	<p>MATERIAL NO.</p> <p>171089-0025</p>			<p>DOCUMENT NO.</p> <p>SD-171089-0025</p>	<p>SHEET NO.</p> <p>3 OF 3</p>
		<p>THIS DRAWING CONTAINS INFORMATION THAT IS PROPRIETARY TO MOLEX INCORPORATED AND SHOULD NOT BE USED WITHOUT WRITTEN PERMISSION</p>							