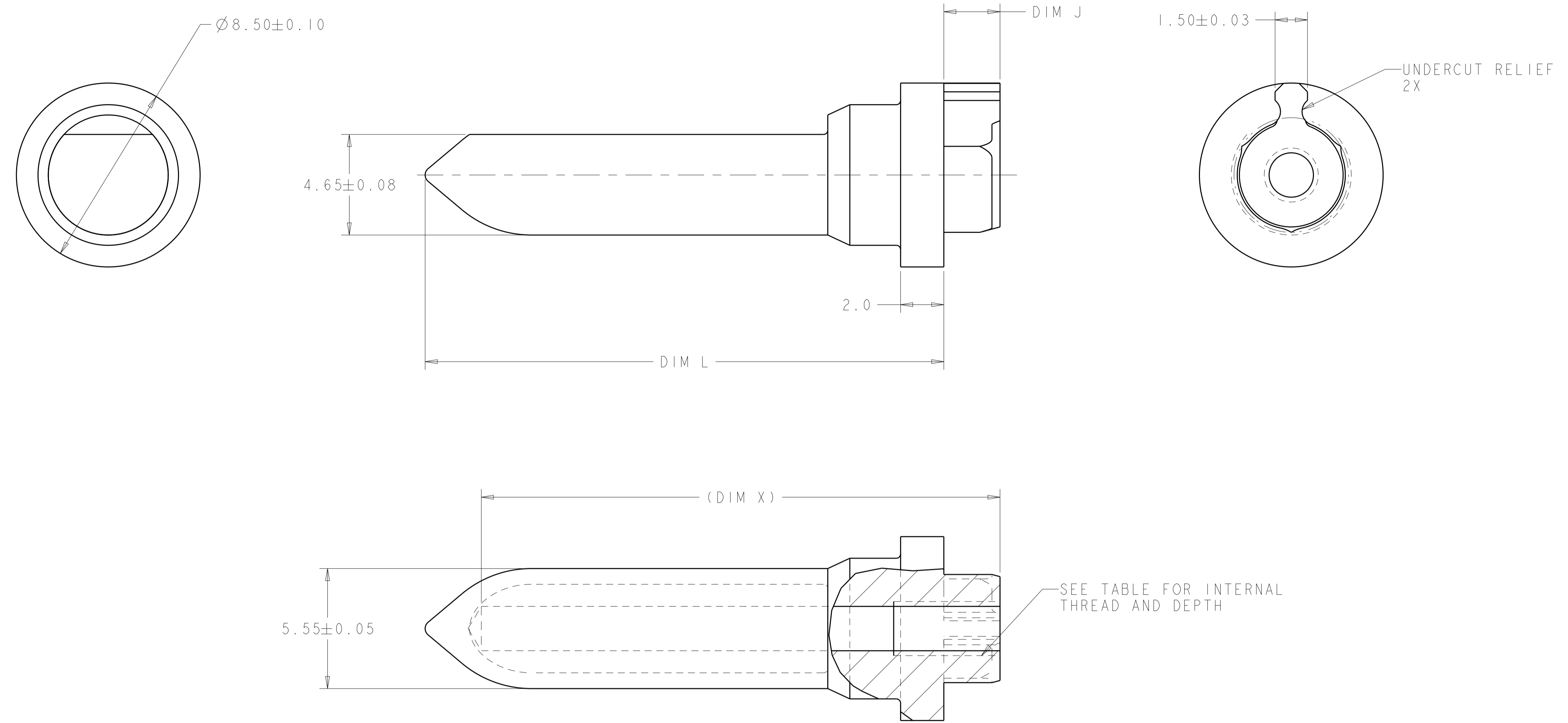


REVISIONS				
P.	LTN.	DESCRIPTION	DATE	APVD.
D		REV PER ECO-20-004722	4-7-20	CT RL



	6-32 UNC	11.65	28.70	24	7.30	2	1	3-2327906-4
	6-32 UNC	10.05	27.10	24	5.70	2	1	3-2327906-2
	6-32 UNC	8.55	25.60	24	4.20	2	1	3-2327906-0
	6-32 UNC	6.95	24.00	24	2.60	2	1	2-2327906-8
	6-32 UNC	5.67	22.72	24	1.32	2	1	2-2327906-6
	8-36 UNF	10.05	22.10	19	5.70	2	1	2-2327906-4
	8-36 UNF	8.55	20.60	19	4.20	2	1	2-2327906-2
	8-36 UNF	5.67	17.72	19	1.32	2	1	2-2327906-0
	M2.5X.45	6.75	23.80	24	2.40	2	1	1-2327906-8
	M2.5X.45	7.75	19.80	19	3.40	2	1	1-2327906-6
	M2.5X.45	7.75	24.80	24	3.40	2	1	1-2327906-4
OBSOLETE	8-36 UNF	10.05	27.10	24	5.70	2	1	1-2327906-2
	8-36 UNF	11.65	28.70	24	7.30	2	1	1-2327906-0
	8-36 UNF	10.05	27.10	24	5.70	2	1	2327906-8
	8-36 UNF	8.55	25.60	24	4.20	2	1	2327906-6
	8-36 UNF	6.95	24.00	24	2.60	2	1	2327906-4
	8-36 UNF	5.67	22.72	24	1.32	2	1	2327906-2
REMARKS	INTERNAL THREAD	MAX THREAD DEPTH	DIM X	DIM L	DIM J	FINISH	MATERIAL	PART NO.

- 1 MATERIAL: STAINLESS STEEL (303)
- 2 FINISH: PASSIVATED.
- 3 KEY HOLE ORIENTATION (DIM T) PER MATING GUIDE MODULE PART NUMBER TABLE (ORIENTATION SHOWN ON PCB LAYOUT IS FOR 1-2000677-2 OR 2000713-2)
- 4 ANNULAR RING PLATED AROUND GUIDE PIN MOUNTING HOLE ON TOP AND BOTTOM SIDE OF BOARD

THIS DRAWING IS A CONTROLLED DOCUMENT. DWN: C.C. THOMAS 11-29-17  
 CHK: R. LEASE 11-29-17  
 APVD: R. LEASE 11-29-17

DIMENSIONS: mm  
 TOLERANCES UNLESS OTHERWISE SPECIFIED:  
 0 PLC ±0.5  
 1 PLC ±0.13  
 2 PLC ±0.013  
 3 PLC ±0.013  
 4 PLC ±0.013  
 ANGLES ±0.5°

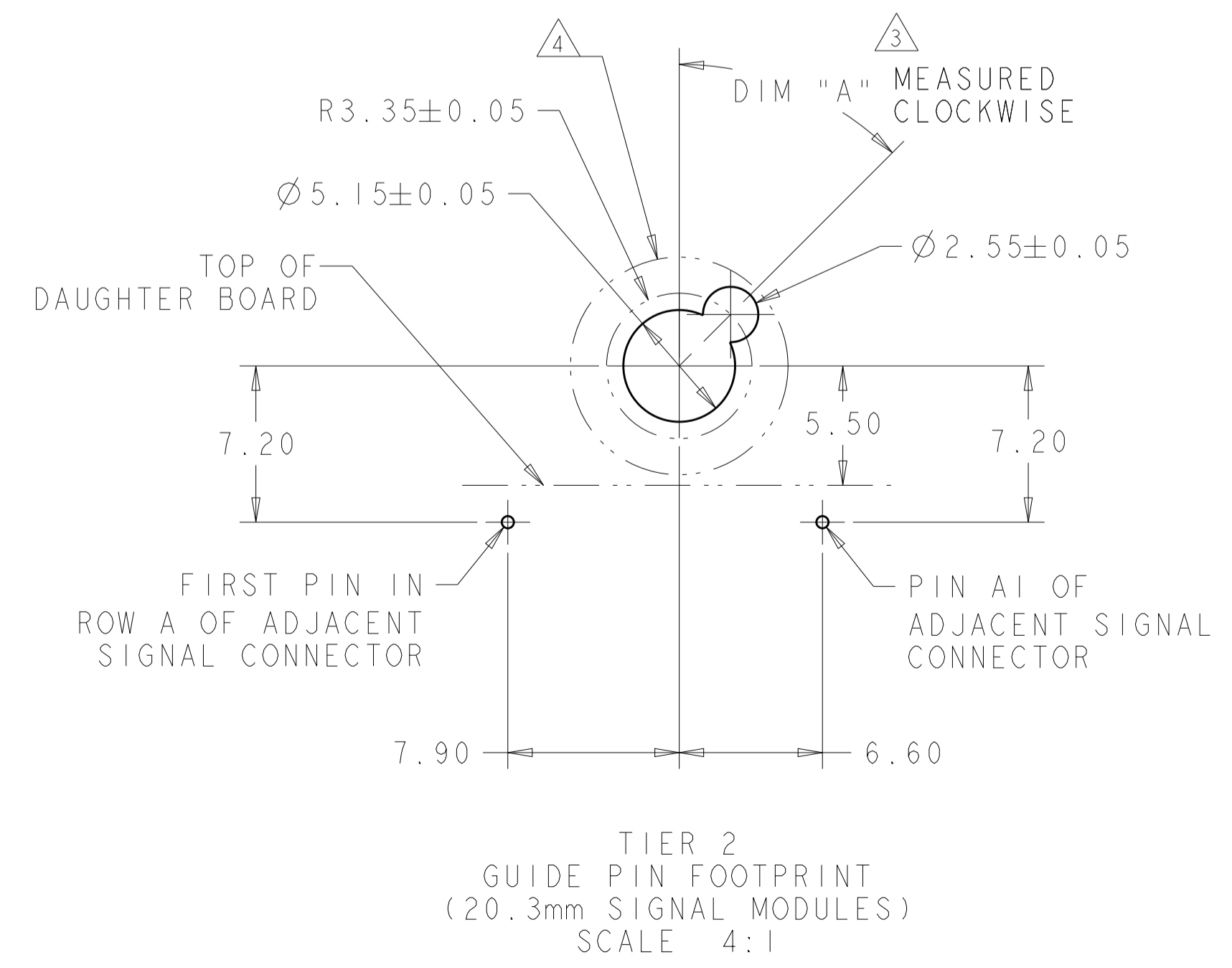
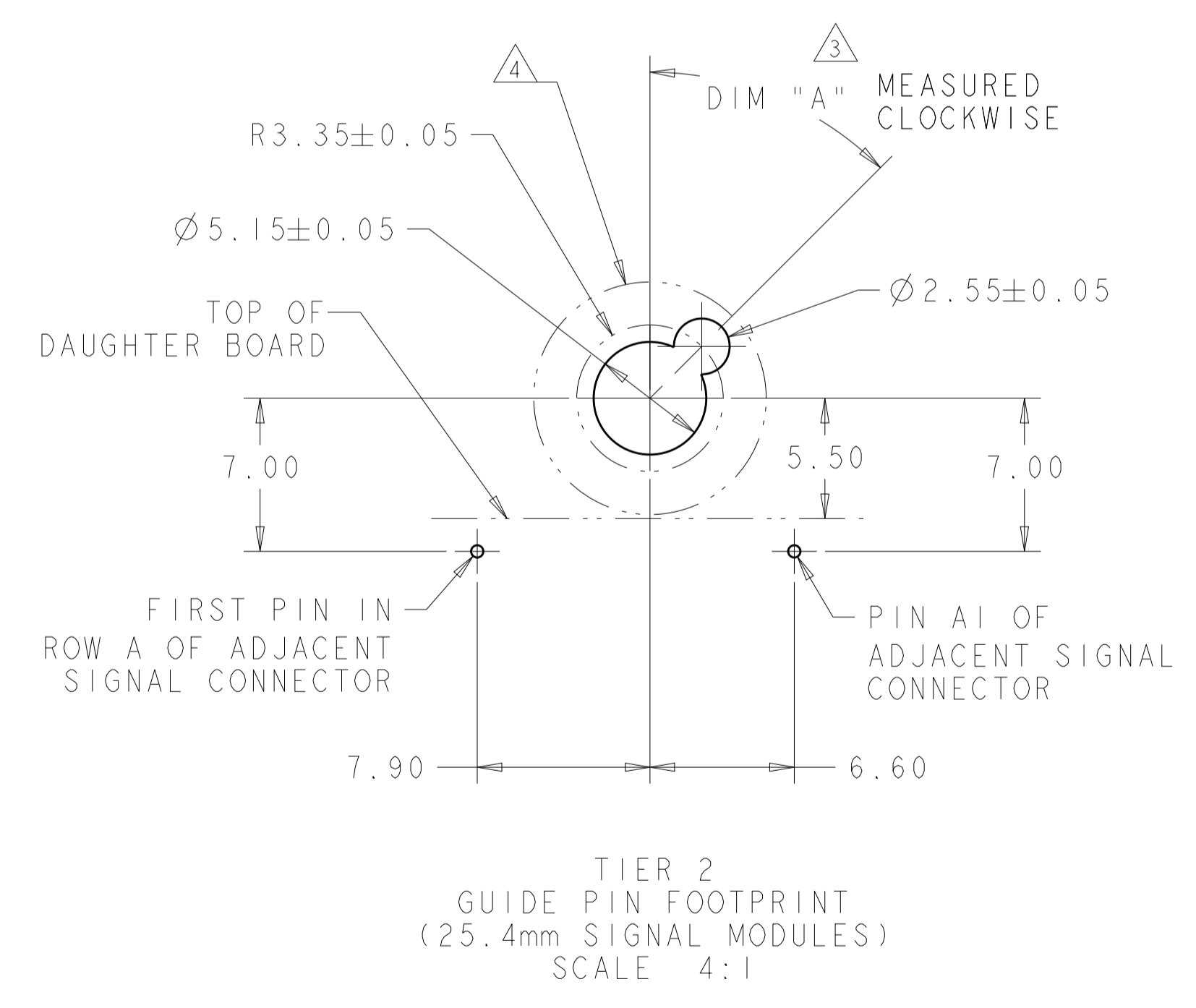
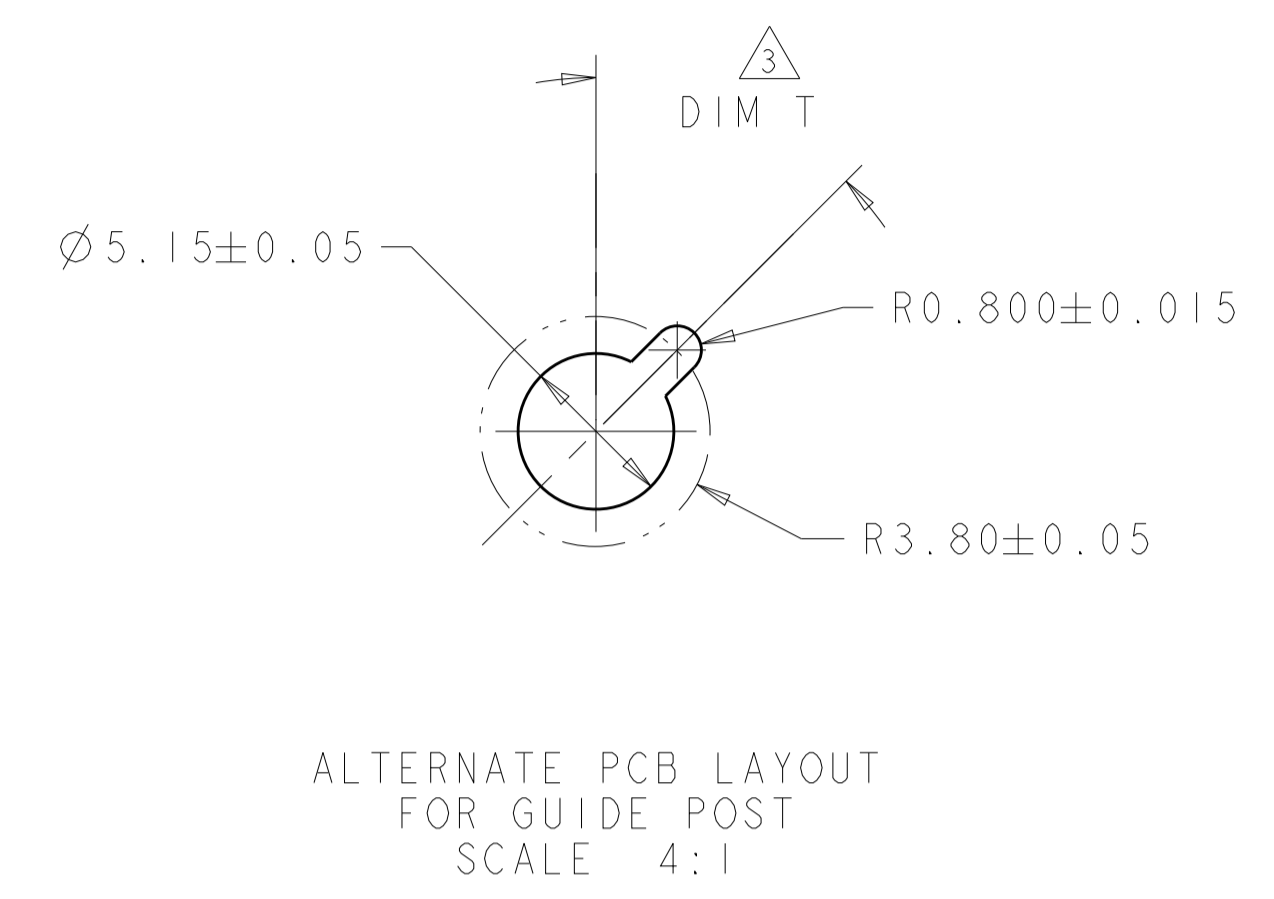
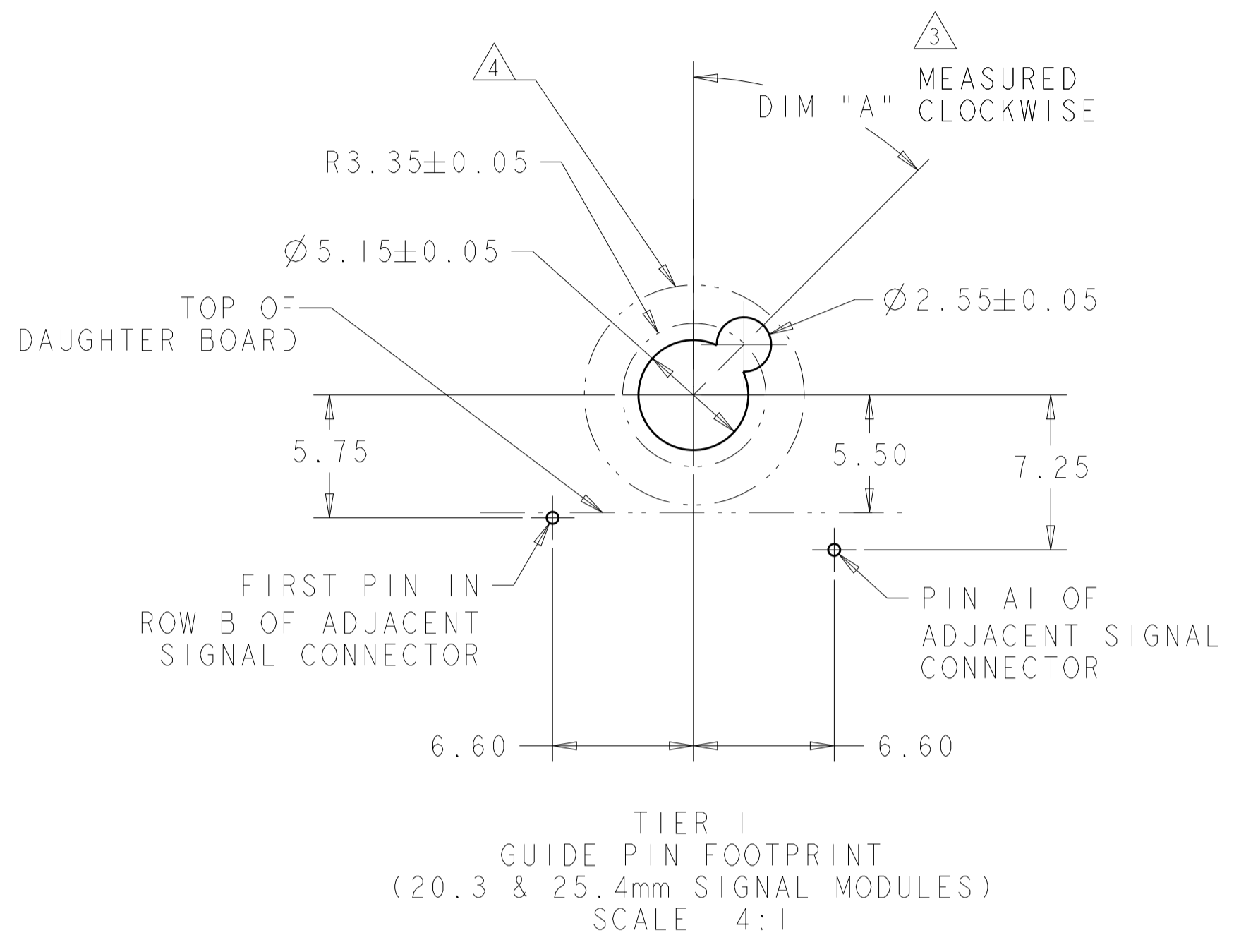
MATERIAL: 303  
 FINISH: 2

WEIGHT: 4.30 Gr  
 CUSTOMER DRAWING

SCALE: 8:1 SHEET 1 OF 2 REV D

STE TE Connectivity  
 NAME: KEYED GUIDE PIN BACKPLANE CONNECTOR, MULTIGIG  
 PRODUCT SPEC: 108-2072  
 APPLICATION SPEC: 114-13056  
 SIZE: A1  
 CAGE CODE: 00779  
 DRAWING NO: 2327906

REVISIONS				
P.	LTN.	DESCRIPTION	DATE	APVD.
-	-	SEE SHEET 1	-	-



W/O ESD SPRING	NO KEY	2-2000677-9
W/O ESD SPRING	315°	2-2000677-8
W/O ESD SPRING	270°	2-2000677-7
W/O ESD SPRING	90°	2-2000677-3
W/O ESD SPRING	45°	2-2000677-2
W/O ESD SPRING	0°	2-2000677-1
W/O ESD SPRING	0°	2-2000677-0
W/O ESD SPRING	NO KEY	1-2000677-9
W/O ESD SPRING	315°	1-2000677-8
W/O ESD SPRING	270°	1-2000677-7
W/O ESD SPRING	90°	1-2000677-3
W/O ESD SPRING	45°	1-2000677-2
W/ESD SPRING	NO KEY	2000713-6
W/ESD SPRING	315°	2000713-5
W/ESD SPRING	270°	2000713-4
W/ESD SPRING	90°	2000713-3
W/ESD SPRING	45°	2000713-2
W/ESD SPRING	0°	2000713-1
ESD SPRING	DIM T	20.3mm GUIDE MODULE

MATING GUIDE MODULE

THIS DRAWING IS A CONTROLLED DOCUMENT. DWN: C.C. THOMAS 11-29-17  
CHK: R. LEASE 11-29-17  
APVD: R. LEASE 11-29-17

**STE** TE Connectivity

NAME: KEYED GUIDE PIN BACKPLANE CONNECTOR, MULTIGIG  
PRODUCT SPEC: 108-2072  
APPLICATION SPEC: 114-13056  
SIZE: CAGE CODE DRAWING NO: A100779  
WEIGHT: 4.30 Gr  
SCALE: 1:1 SHEET 2 OF 2 REV D

MATERIAL: - FINISH: - TOLERANCES UNLESS OTHERWISE SPECIFIED: 0 PLC ±.013, 1 PLC ±0.5, 2 PLC ±0.13, 3 PLC ±0.013, 4 PLC ±.013, ANGLES ±.013

CUSTOMER DRAWING