

# HFTX. | Oil level sight glass

Technopolymer

METRIC

BSP

RoHS

PA-T

+100°  
-30°



## MATERIAL

Transparent polyamide based (PA-T) technopolymer. Avoid contact with alcohol or detergents containing alcohol.



## PACKING RING

NBR synthetic rubber.



## STANDARD EXECUTIONS

- **HFTX.**: with matte anodised aluminium star-shaped contrast screen with red central level point.
- **HFTX/SL**: without contrast screen.



## MAXIMUM CONTINUOUS WORKING TEMPERATURE

100°C.



## FEATURES

The particular shape of the magnifying lens increases and improves visibility even from side positions.



## TECHNICAL DATA

The tightening torque indicated in the table guarantees an optimal tightness, keeping the packing ring in the correct position.



## NOTE

For use with other fluids with special additives, please contact ELESA Sales Department.



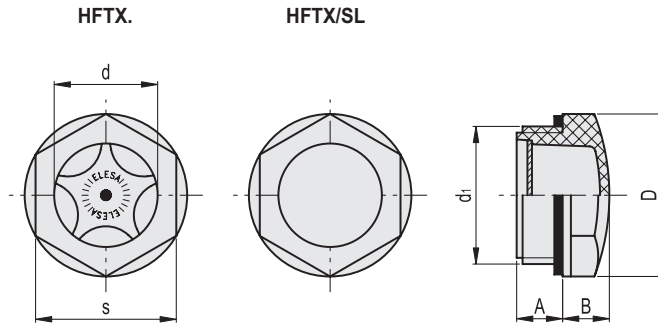
## ACCESSORIES ON REQUEST

Brass nut type GH. (see page 1201) for fitting to reservoirs with wall thickness smaller than 5 mm.



ELESA Original design

Conversion Table	
1 mm = 0.039 inch	
d	
mm	inch
9	0.35
11	0.43
14	0.55
18	0.71
20	0.79
22	0.87
25	0.98
30	1.18



HFTX.		HFTX/SL		METRIC				METRIC			
Code	Description	Code	Description	d1	A	B	D	d	s	Tightening torque [Nm]	⚖️
13661	HFTX.11-M16x1.5	13666	HFTX.11/SL-M16x1.5	M16x1.5	8	7	22	11	19	2+3	4
13681	HFTX.14-M20x1.5	13686	HFTX.14/SL-M20x1.5	M20x1.5	9.5	8	26	14	22	8+10	5
13701	HFTX.18-M25x1.5	13706	HFTX.18/SL-M25x1.5	M25x1.5	8	9	31.5	18	27	8+10	8
13711	HFTX.19-M27x1.5	13716	HFTX.19/SL-M27x1.5	M27x1.5	9	9	31.5	20	27	8+10	8
13726	HFTX.21-M26x1.5	13728	HFTX.21/SL-M26x1.5	M26x1.5	13	9	31.5	18	27	8+10	8
13731	HFTX.22-M30x1.5	13736	HFTX.22/SL-M30x1.5	M30x1.5	9	10	35	22	30	8+10	10
13751	HFTX.26-M35x1.5	13756	HFTX.26/SL-M35x1.5	M35x1.5	11	10	40	25	34	8+10	13
13771	HFTX.31-M40x1.5	13776	HFTX.31/SL-M40x1.5	M40x1.5	11.5	13	47	30	40.5	8+10	20

HFTX.		HFTX/SL		BSP				METRIC			
Code	Description	Code	Description	d1	A	B	D	d	s	Tightening torque [Nm]	⚖️
13651	HFTX.9-1/4	13656	HFTX.9/SL-1/4	G 1/4	10	6	18	9	15	2+3	3
13671	HFTX.12-3/8	13676	HFTX.12/SL-3/8	G 3/8	7.5	7	22	11	19	3+5	4
13691	HFTX.15-1/2	13696	HFTX.15/SL-1/2	G 1/2	10.5	8	26	14	22	4+6	5
13721	HFTX.20-3/4	13727	HFTX.20/SL-3/4	G 3/4	10.5	9	31.5	20	27	6+8	8
13741	HFTX.24-1	13746	HFTX.24/SL-1	G 1	11	10	40	25	34	8+10	12
13761	HFTX.30-1¼	13766	HFTX.30/SL-1¼	G1 1/4	11.5	13	47	30	40.5	8+10	20

Accessories for hydraulic systems