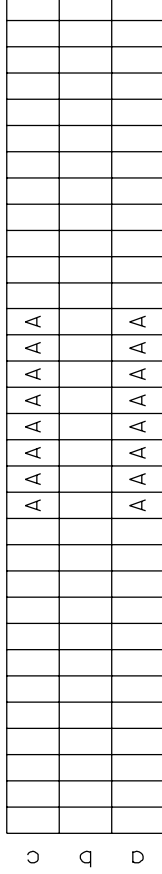


View on mating side



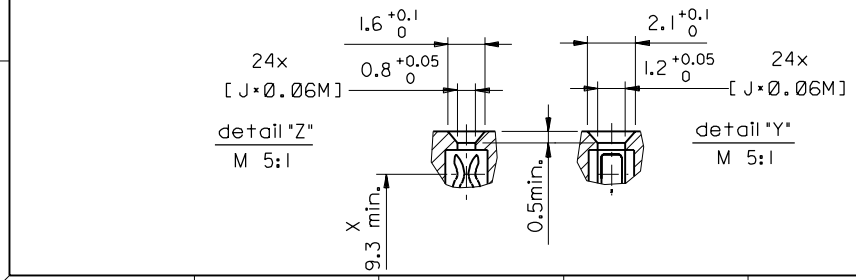
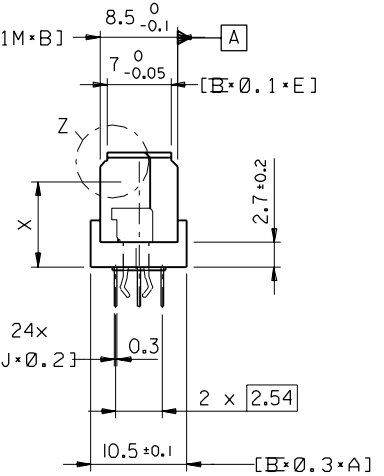
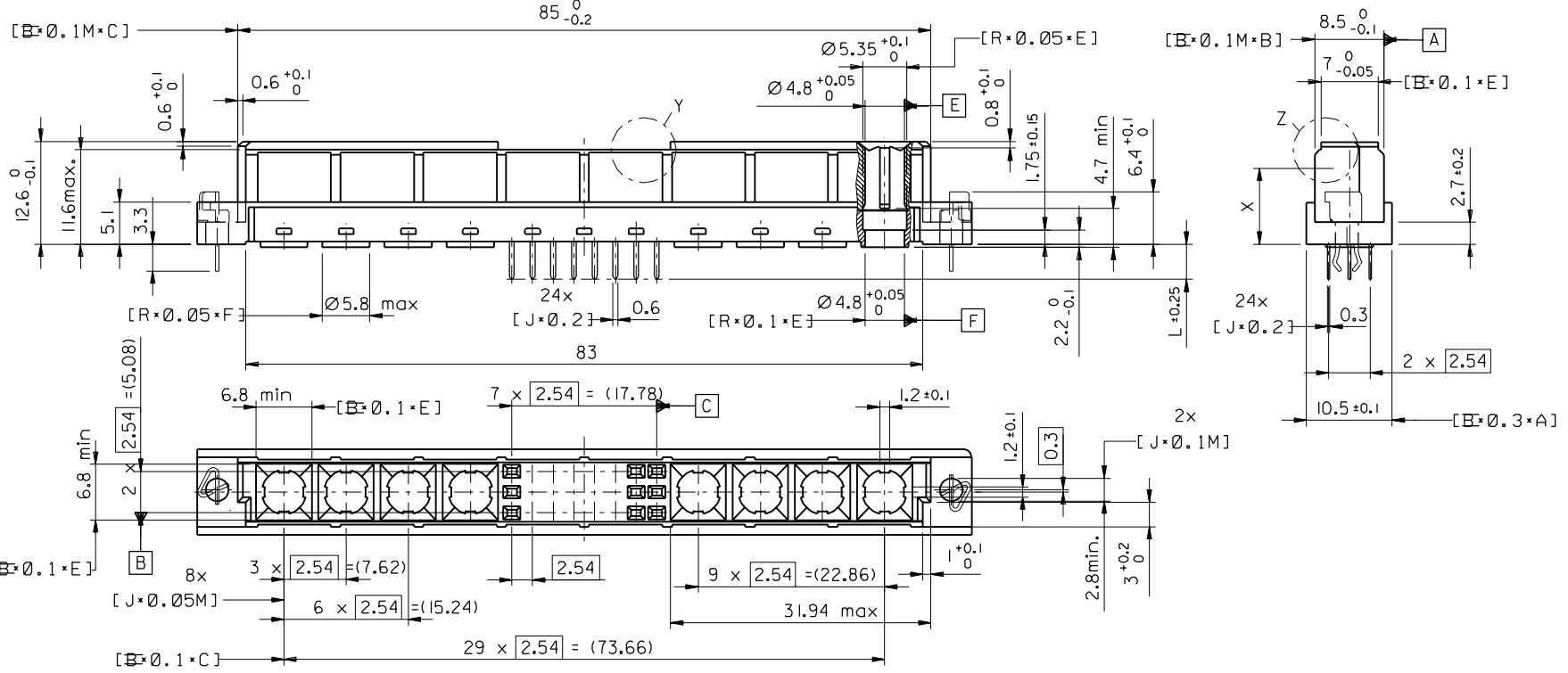
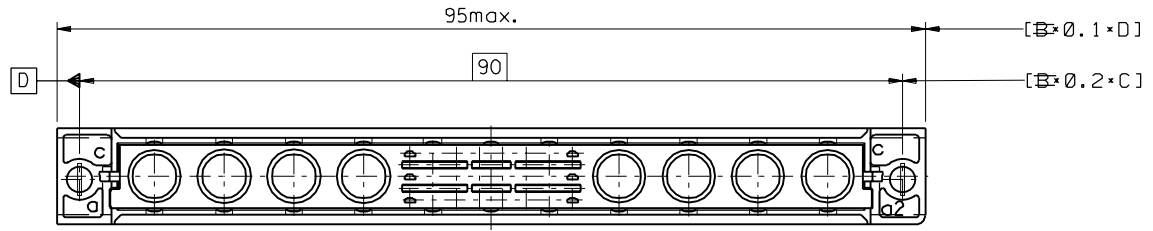
1 2 3 4 5 6 7 8 9 10 11 12 13 14 15 16 17 18 19 20 21 22 23 24 25 26 27 28 29 30 31 32 33 34 35 36 37 38 39 40 41 42 43 44 45 46 47 48 49 50 51 52 53 54 55 56 57 58 59 60 61 62 63 64 65 66 67 68 69 70 71 72 73 74 75 76 77 78 79 80 81 82 83 84 85 86 87 88 89 90 91 92 93 94 95 96 97 98 99 100

A = 16 standard contacts L=4,5

Marking	Standard
Performance level	G2/0 = Contact area level2 / Termination tin
Flux proof	no
Fixing clip	no
Dimensions	SD-85048-0004 sht.1
TechnicalData	PS-85042-0001

A	G2/0	c13-20	c13-20
Contact symbol	Perform. level	Contact position number	

ECN 2478 first release	REVISIONS		FOR PREVIOUS REVISIONS SEE MRI LIST	DRWG BY <b>KN</b>	SIGN	REVISE ONLY ON CAD SYSTEM			SH. REV.					
	UNLESS OTHERWISE SPECIFIED TOLERANCES: ANGULAR ±2°	INCH				METRIC	CAD/CAM PROJECT NAME SD-8504800	THIS DRAWING CONTAINS INFORMATION THAT IS PROPRIETARY TO MOLEX INC. & SHOULD NOT BE USED WITHOUT WRITTEN PERMISSION						
		<input type="checkbox"/> MM <input type="checkbox"/> IN.	<input type="checkbox"/> MM <input type="checkbox"/> IN.			TITLE <b>24 pos. female connector acc. DIN 41612, style M contacts arrangement</b>	SHEET NO. DATE 1 OF 1 97/05/20							
LTR				CHK'D BY <b>Ca</b>	SIGN			APP'D BY <b>JB</b>	SIGN			PART NO. <b>85048-0000</b>	DWG NO. <b>SD-85048-0000</b>	SIZE <b>A</b>
						SCALE								
IF TWO DIMENSIONS ARE SHOWN, THE UPPER IS PRIMARY THE DESIGN DIMENSION, LOWER IS SECONDARY														



FIRST ANGLE PROJECTION		DRWG BY	SIGN
UNLESS OTHERWISE SPECIFIED TOLERANCES: ANGULAR ±2°		KN	
3 PLACE ±	±	CHK'D BY	SIGN
2 PLACE ±	±	Ca	
1 PLACE ±	±	APP'D BY	SIGN
DRAFT WHERE APPLICABLE MUST REMAIN WITHIN DIMENSIONS		JB	
DESIGN DIMENSION	<input checked="" type="checkbox"/> MM	SCALE	2:1
EQUIVALENT DIMENSION	<input type="checkbox"/> IN.		
IF TWO DIMENSIONS ARE SHOWN THE UPPER IS THE DESIGN DIMENSION, LOWER IS SECONDARY			

REVISE ONLY ON CAD SYSTEM		SH.	REV.
CAD/CAM PROJECT NAME 85048000 841		THIS DRAWING CONTAINS INFORMATION THAT IS PROPRIETARY TO MOLEX INC. & SHOULD NOT BE USED WITHOUT WRITTEN PERMISSION	
TITLE 24 pol. Federleiste 24 pos. female connector DIN 41612, style M			
MOLEX MOLEX EUROPE		SHEET NO.	DATE
PART NO.		1 OF 1	97/04/14
DWG NO. SD-85048-0004		SIZE	B

ECN 2478  
first release