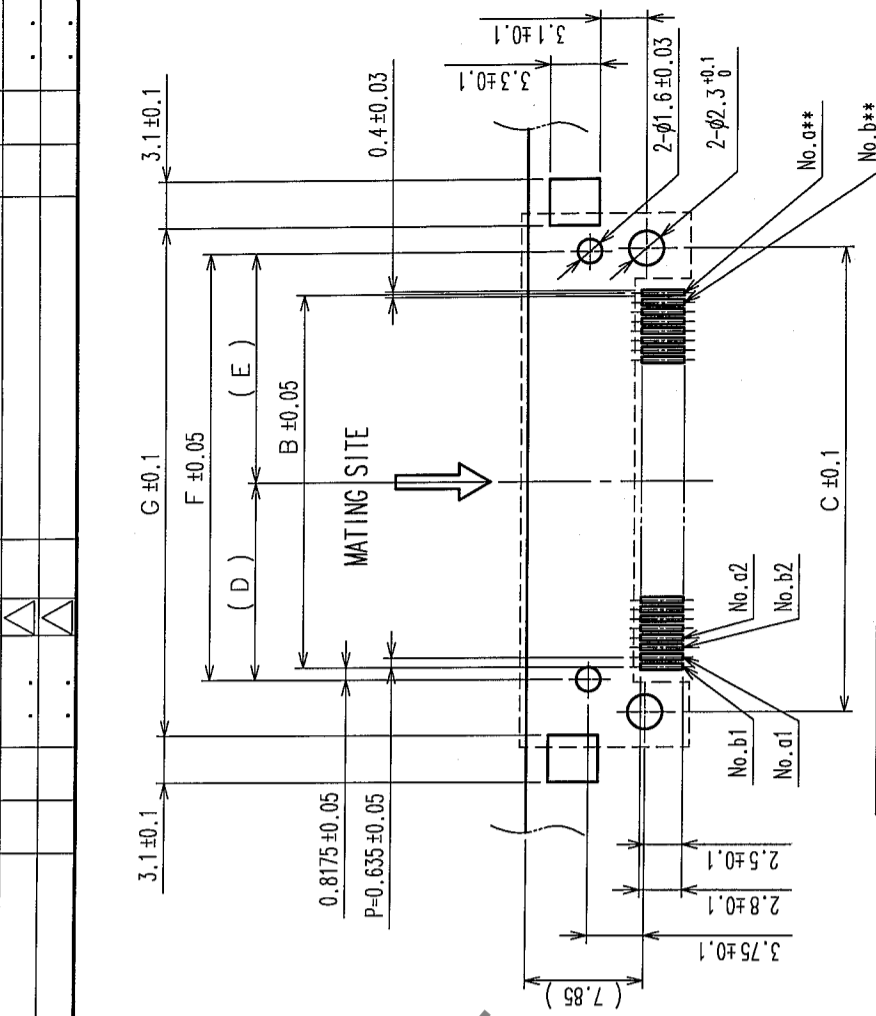
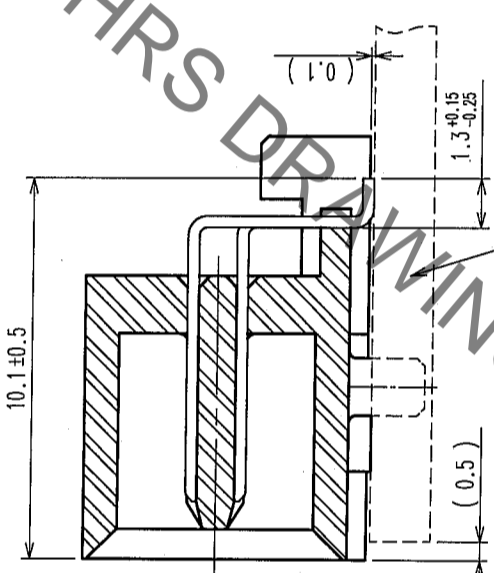


COUNT	DESCRIPTION OF REVISIONS	BY	CHKD	DATE	COUNT	DESCRIPTION OF REVISIONS	BY	CHKD	DATE

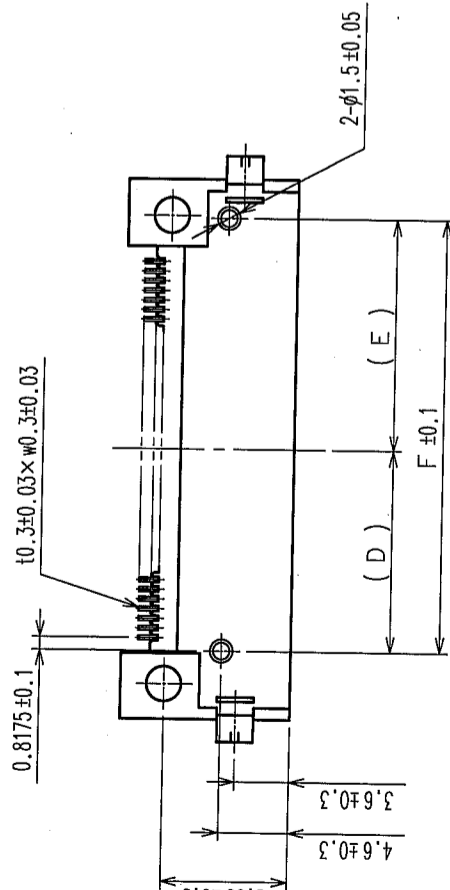
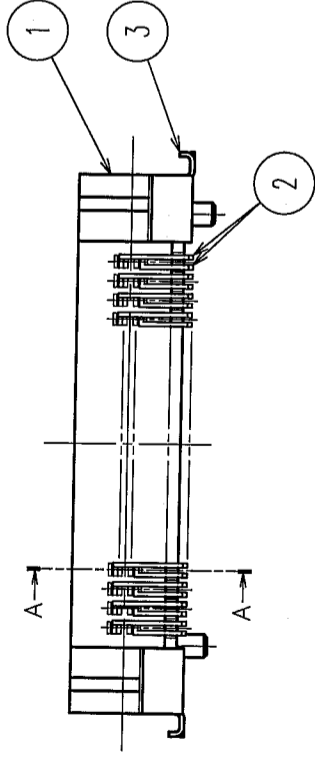
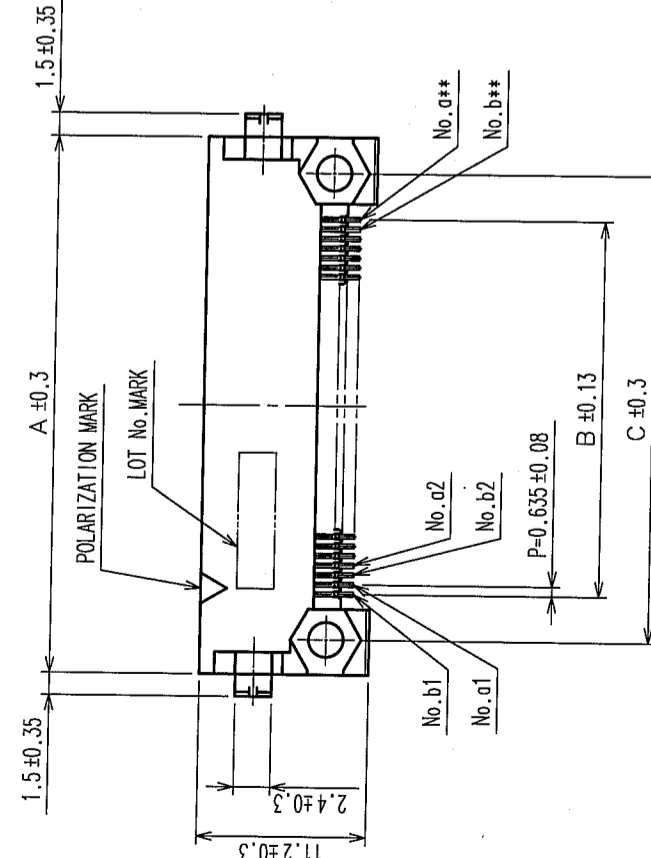
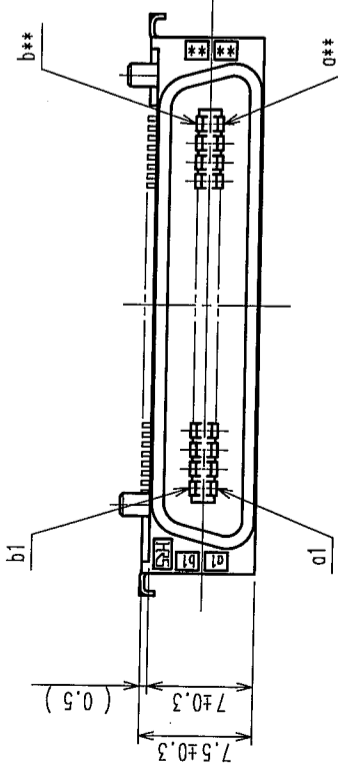
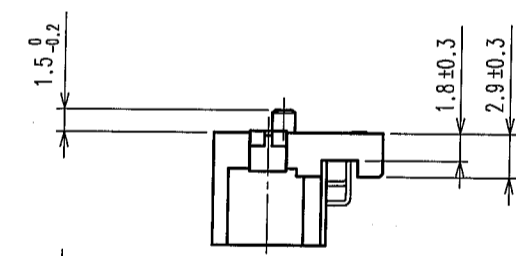


AA (5 : 1)



RECOMMENDED P.C.B. LAND PATTERN

MOUNT SIDE (THICKNESS OF APPLICABLE BOARD: t=1.6±0.1)



PART No.	CODE No.	A	B	C	D	E	F	G	**
FX2-20P-0.635SH(71)	CL572-2761-2-71	22.75	12.065	18.05	6.85	8.85	15.70	21.15	10
FX2-40P-0.635SH(71)	CL572-2763-8-71	35.45	24.765	30.75	13.20	15.20	28.40	33.85	20
FX2-52P-0.635SH(71)	CL572-2764-0-71	43.07	32.385	38.37	17.01	19.01	36.02	41.47	26
FX2-60P-0.635SH(71)	CL572-2765-3-71	48.15	37.465	43.45	19.55	21.55	41.10	46.55	30
FX2-80P-0.635SH(71)	CL572-2767-9-71	60.85	50.165	56.15	25.90	27.90	53.80	59.25	40
FX2-100P-0.635SH(71)	CL572-2768-1-71	73.55	62.865	68.85	32.25	34.25	66.50	71.95	50

NOTE 1. LEAD CO-PLANARITY SHALL BE 0.10 MAX.
 2. THE DIMENSIONS IN PARENTHESES ARE FOR REFERENCE.
 3. NUMBER OF CONTACTS.

TO	
PCK	

NO.	BRASS	TIN-PLATING	FINISH, REMARKS	NO.	MATERIAL	FINISH, REMARKS
3	BRASS	TIN-PLATING		2	BRASS	
1	POLYPHENYLENE SULFIDE	LIGHT BROWN (UL94V-0)				

CODE NO. (OLD)	DRAWN	DESIGNED	CHECKED	APPROVED	RELEASED
	T. YANAGISAWA	J. Noda	K. Ogawa	H. Okawa	
	'05.08.05	'05.8.6	'05.08.06	'05.08.06	

DRAWING NO.	PART NO.	CONTACT AREA: GOLD 0.2μm min.	LEAD AREA: TIN-PLATING 2μm min.	UNDER PLATING: NICKLE 1μm min.
EDC3-152588-21	FX2--*P-0.635SH(71)			

SCALE	UNITS	CODE NO.
FREE	mm	CL572