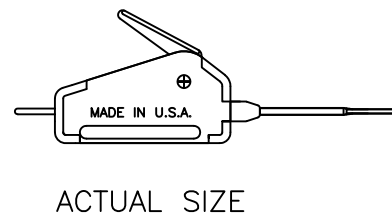
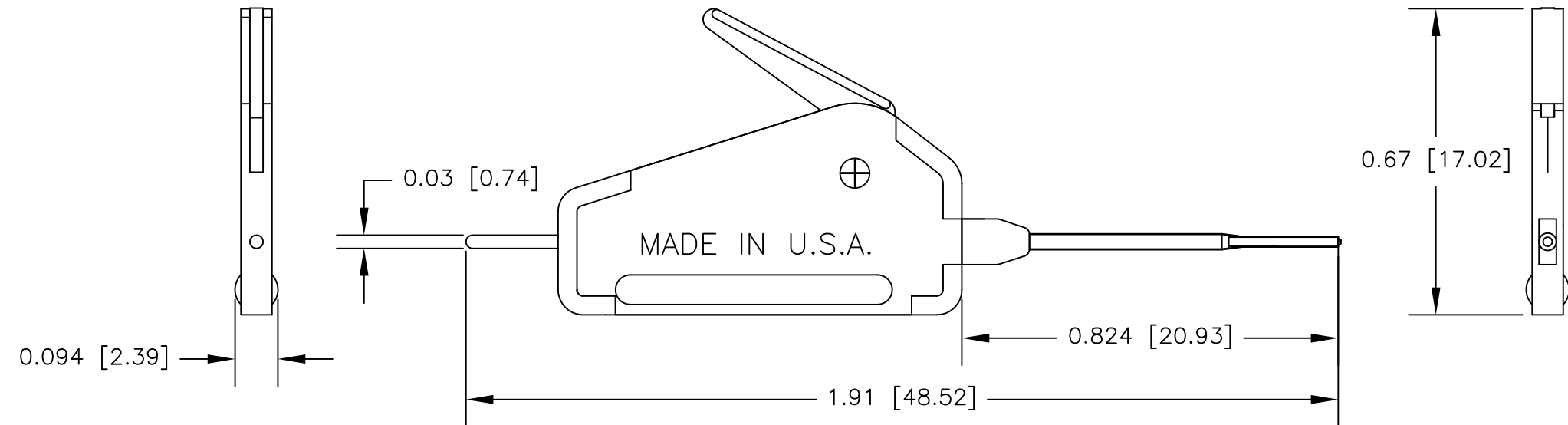
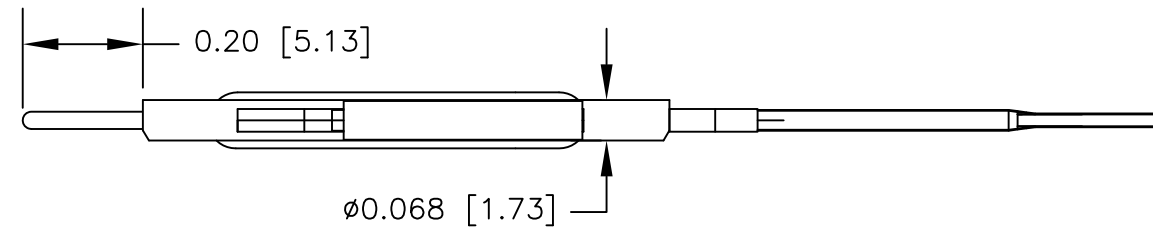
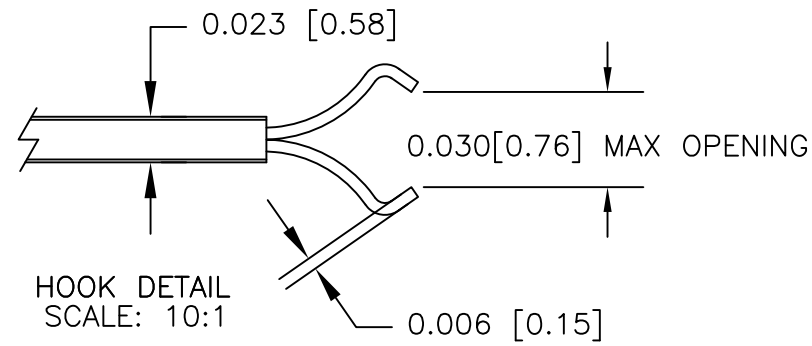


NOTES: UNLESS OTHERWISE SPECIFIED

- CONSTRUCTION:
 HOUSING: MOLDED NYLON, AVAILABLE IN TEN COLORS
 SPRING & TUBE: PASSIVATED SS
 CONTACT: MUSIC WIRE
 PIN: GOLD PLATED COPPER ALLOY
 HS: CLEAR POLYESTER
- PERFORMANCE:
 MAXIMUM CURRENT: 500 mA
 MAXIMUM VOLTAGE: < 33 VAC < 70VDC
 MAXIMUM TEMPERATURE: 200°F (93°C)
- FEATURES:
 THIN CLIP BODY WIDTH ALLOWS MANY PQFP CLIPS TO BE MOUNTED SIDE BY SIDE AND SIMULTANEOUSLY TESTED. USED WITH PQFP PACKAGES TO 0.5MM LEAD PITCH.

LTR	REVISIONS		DATE	APPROVED
	DESCRIPTION			



		UNLESS OTHERWISE SPECIFIED DIMENSIONS ARE IN INCHES TOLERANCES ARE: FRACTIONS DECIMALS ANGLES ± .XX ± ± .XXX ±	CONTRACT NO.		E-Z-HOOK DIVISION OF TEKTEST INC. ARCADIA, CA 91006 U.S.A.
			APPROVALS	DATE	
		MATERIAL SEE NOTE.	DRAWN R.L.	6/15	DESCRIPTION MICRO DOUBLE HOOK
		FINISH SEE NOTE.	APPROVED BY		SIZE CODE IDENT NO. DRAWING NO. REV.
NEXT ASSY	USED ON				B 08505 X2015
APPLICATION		DO NOT SCALE DRAWING			SCALE 3:1 SHEET 1 OF 1