

MODEL: UJC-VP-3-SMT-TR | **DESCRIPTION:** USB RECEPTACLE

FEATURES

- USB Type C receptacle
- mates with standard USB Type C plugs
- designed for power only applications
- vertical mount
- 6-pin
- reflow solder compatible
- tape & reel packaging



SPECIFICATIONS

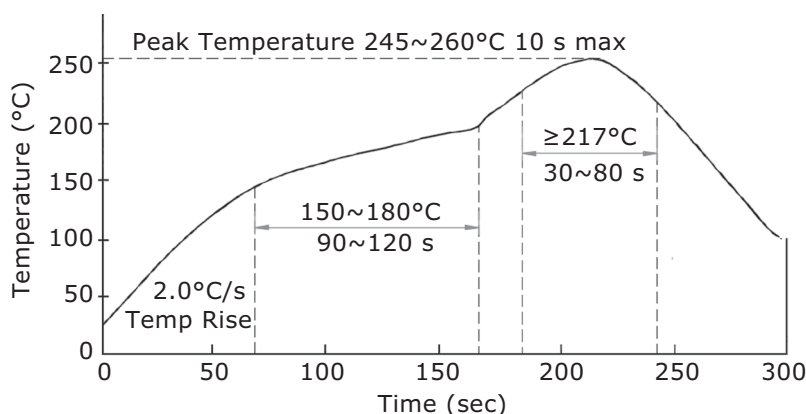
| parameter | conditions/description | min | typ | max | units |
|---------------------------------|------------------------------------------------------|-----|--------|-----------|--------|
| rated input voltage | | | | 20 | Vdc |
| rated input current | Vbus/GND pins (A9, A12, B9, B12) CC pins (A5, B5) | | | 3 1.25 | A A |
| contact resistance ¹ | | | | 40 | mΩ |
| insulation resistance | at 100 Vdc for 1 minute between adjacent contacts | 100 | | | MΩ |
| voltage withstand | for 1 minute between adjacent contacts | | | 100 | Vac |
| insertion force | at a rate of 12.5 mm/min | 5 | | 20 | N |
| withdrawal force | at a rate of 12.5 mm/min | 8 | | 20 | N |
| life | at a rate of 180 cycles/hour | | 10,000 | | cycles |
| operating temperature | | -25 | | 85 | °C |
| storage temperature | | -20 | | 60 | °C |
| flammability rating | UL94V-0 | | | | |
| RoHS | yes | | | | |

Note: 1. When measured at 20 mV / 100 mA max.

SOLDERABILITY

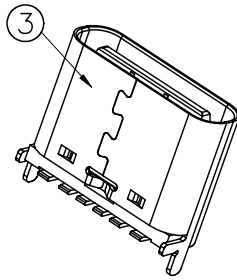
| parameter | conditions/description | min | typ | max | units |
|-------------------------------|---------------------------|-----|-----|-----|-------|
| reel storage | at relative humidity <60% | | | 30 | °C |
| reflow soldering ² | see reflow profile | | | 260 | °C |

Note: 2. It is recommended to reflow solder within 168 hours from opening vacuum packaging at a temperature <30°C & relative humidity <60%.

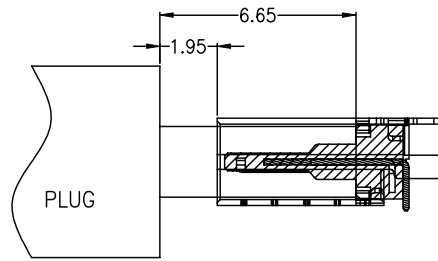
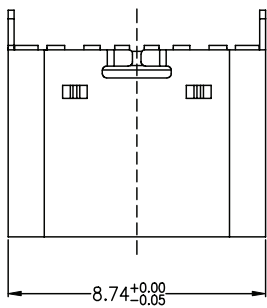


MECHANICAL DRAWING

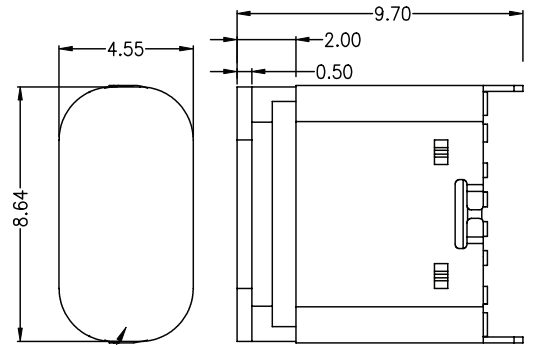
units: mm
 tolerance:
 X.±0.50 mm
 X.X ±0.30 mm
 X.XX ±0.20 mm
 X.XXX ±0.10 mm
 PCB: ±0.05 mm
 PCB thickness: 1-1.2 mm



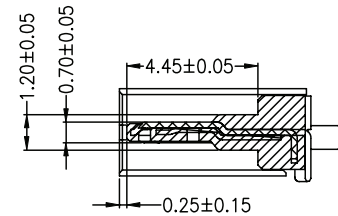
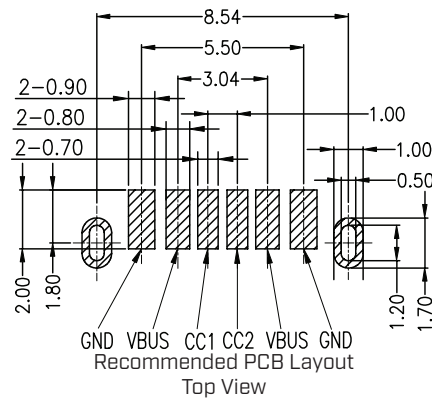
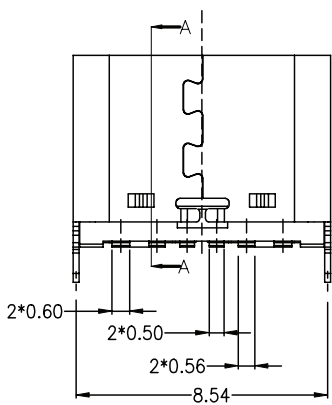
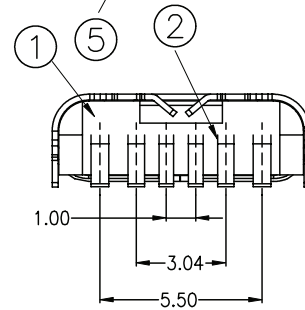
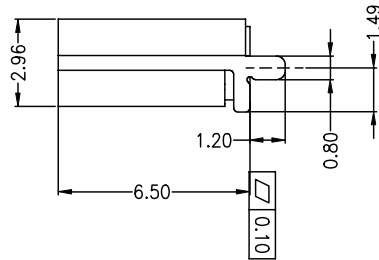
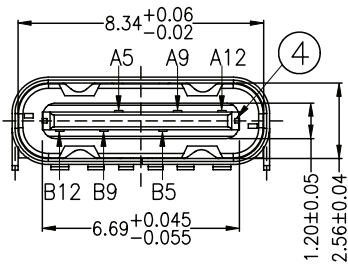
| | MATERIAL | PLATING |
|---|-----------------|-----------------------------------------------------------------------------------------|
| 1 | insulator | LCP [UL94V-0] black |
| 2 | contact | copper alloy gold over nickel |
| 3 | shell | stainless steel nickel |
| 4 | shielding plate | stainless steel contact area: gold flash over nickel solder area: matte tin over nickel |
| 5 | cover | LCP [UL94V-0] black |



Plug and Receptacle Mating View



Cap information



| PIN CONNECTIONS | | | |
|-----------------|-------------|-----|-------------|
| PIN | SIGNAL NAME | PIN | SIGNAL NAME |
| A5 | CC1 | B12 | GND |
| A9 | VBUS | B9 | VBUS |
| A12 | GND | B5 | CC2 |

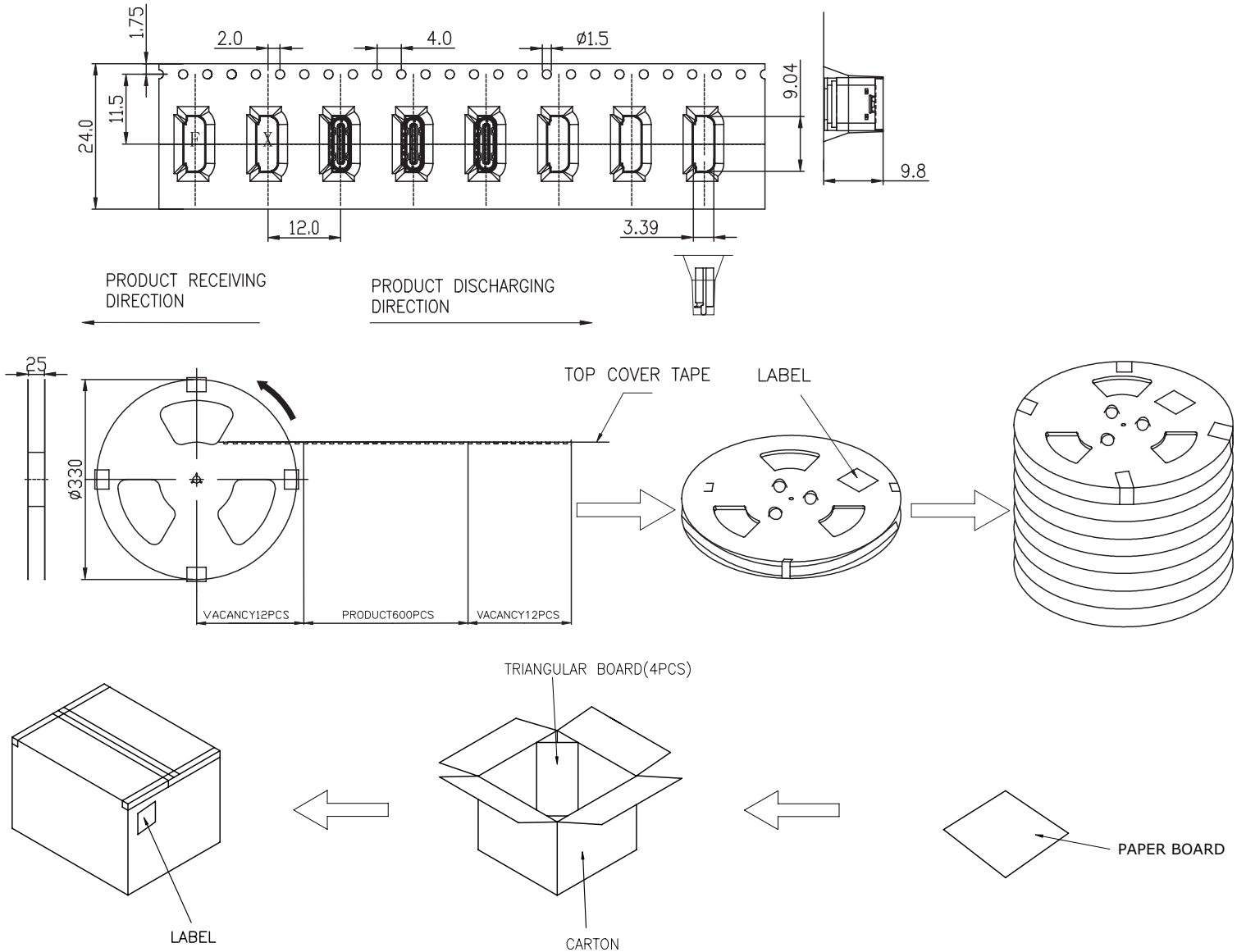
PACKAGING

units: mm

Reel Size: $\varnothing 330$ mm

Reel QTY: 600 pcs per reel

Carton QTY: 6,000 pcs per carton



REVISION HISTORY

| rev. | description | date |
|------|------------------------------|------------|
| 1.0 | initial release | 05/11/2021 |
| 1.01 | logo, datasheet style update | 08/05/2022 |

The revision history provided is for informational purposes only and is believed to be accurate.



CUI Devices offers a one (1) year limited warranty. Complete warranty information is listed on our website.

CUI Devices reserves the right to make changes to the product at any time without notice. Information provided by CUI Devices is believed to be accurate and reliable. However, no responsibility is assumed by CUI Devices for its use, nor for any infringements of patents or other rights of third parties which may result from its use.

CUI Devices products are not authorized or warranted for use as critical components in equipment that requires an extremely high level of reliability. A critical component is any component of a life support device or system whose failure to perform can be reasonably expected to cause the failure of the life support device or system, or to affect its safety or effectiveness.

cuidevices.com