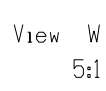
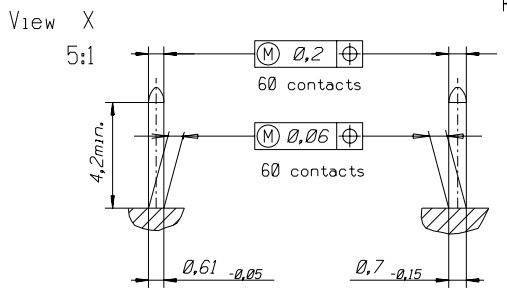
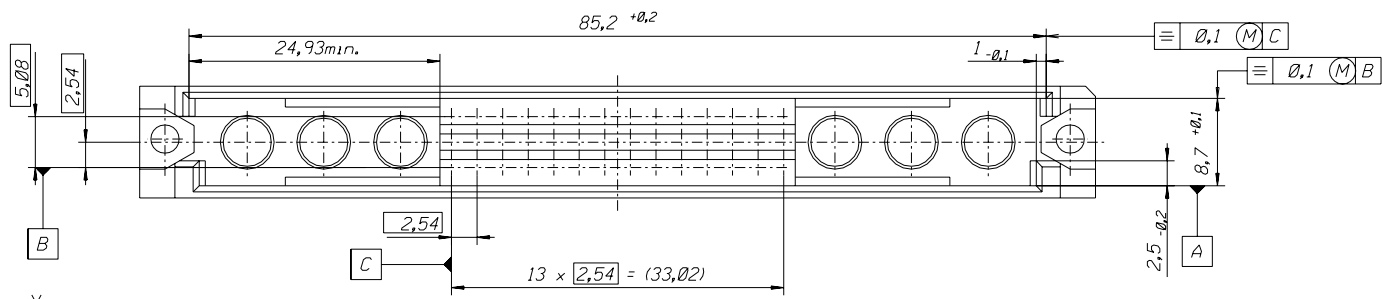
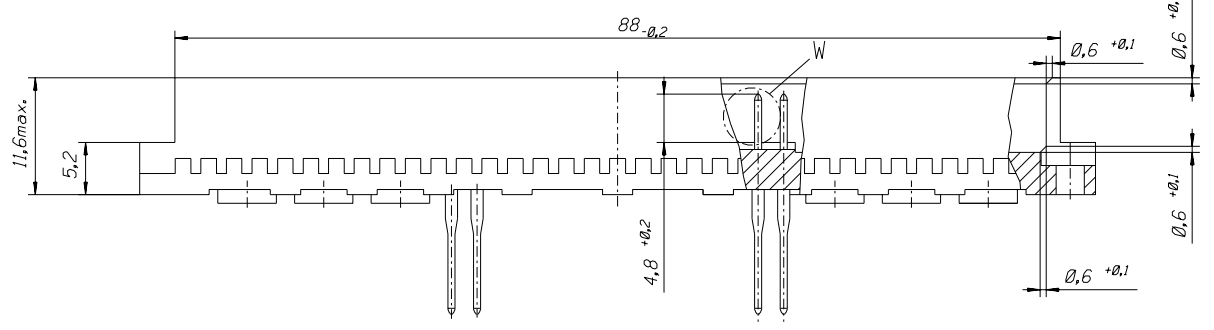
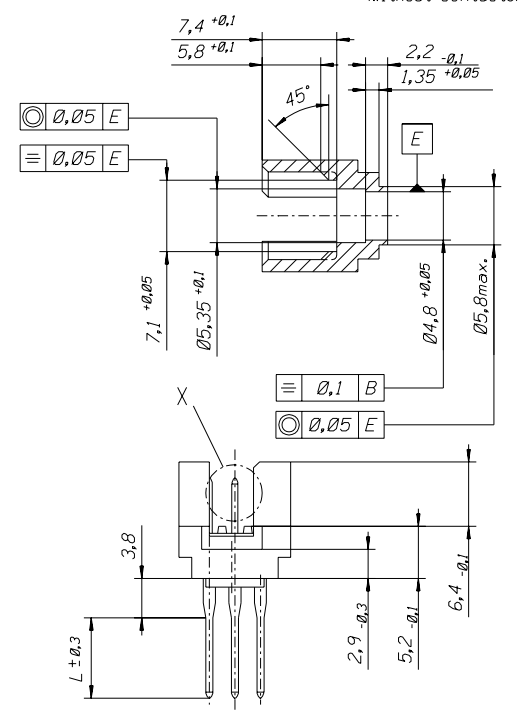
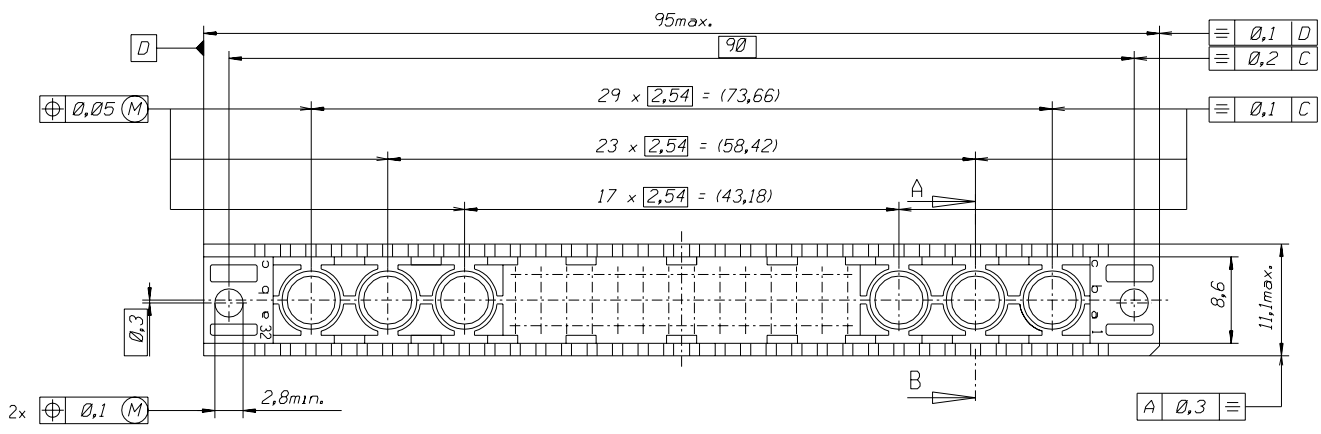
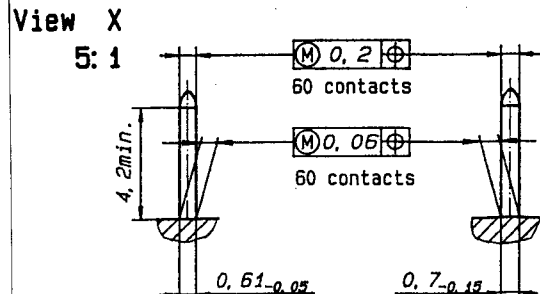
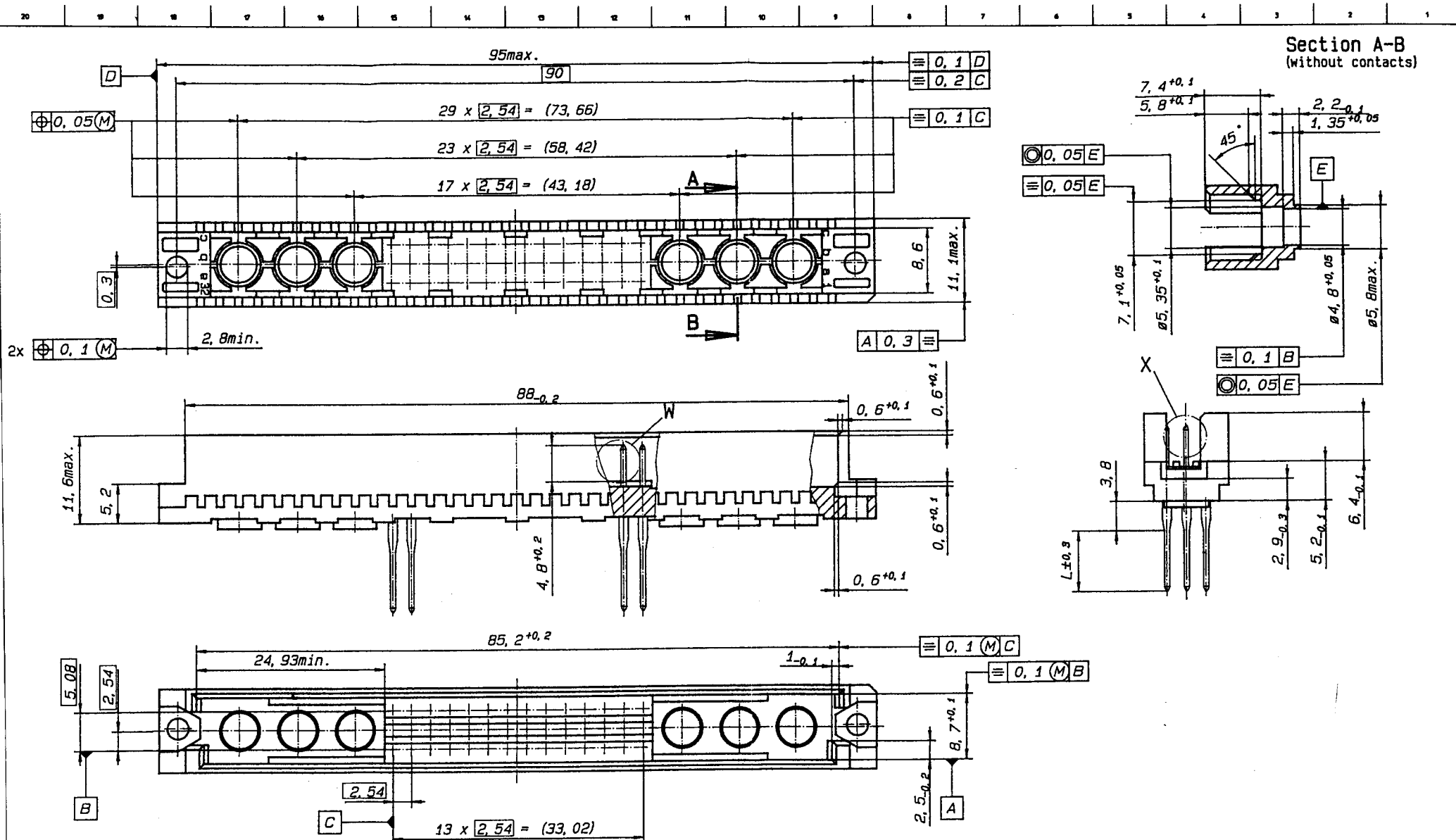


PART NO.  
DWG. NO.

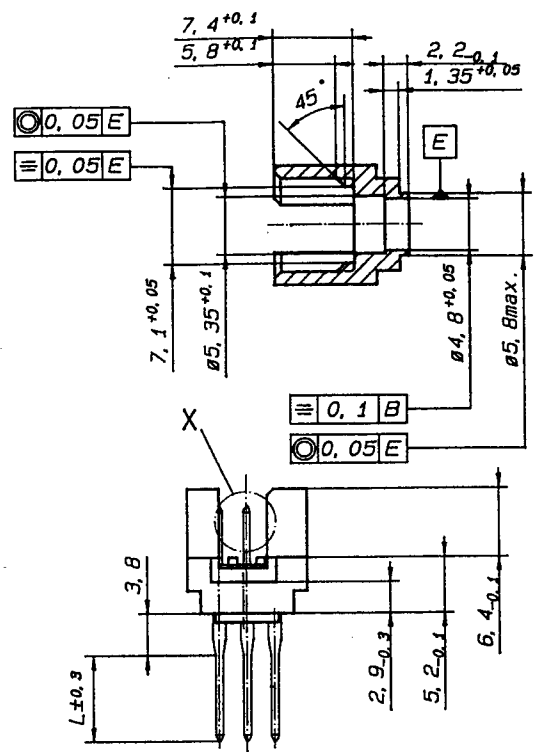
Section A-B  
(without contacts)



FIRST ANGLE PROJECTION		REVISE ONLY ON CAD SYSTEM		SH.	REV.
UNLESS OTHERWISE SPECIFIED TOLERANCES: ANGULAR $\pm 2'$		DRWG BY	SIGN	CAD/CAM PROJECT NAME	
INCH		Ca		60393241	
METRIC		CHK'D BY	SIGN	THIS DRAWING CONTAINS INFORMATION THAT IS PROPRIETARY TO MOLEX INC. & SHOULD NOT BE USED WITHOUT WRITTEN PERMISSION	
3 PLACE $\pm$ . $\pm$		KN		dgn	
2 PLACE $\pm$ . $\pm$		APP'D BY	SIGN	TITLE	
1 PLACE $\pm$ . $\pm$				42 pos. Male connector DIN 41612 style M (C-Pin) inverted / Dimensions	
DRAFT WHERE APPLICABLE MUST REMAIN WITHIN DIMENSIONS		SCALE		SHEET NO. DATE	
DESIGN DIMENSION <input type="checkbox"/> MM <input type="checkbox"/> IN.		2:1		1 OF 3 93/05/04	
EQUIVALENT DIMENSION <input type="checkbox"/> MM <input type="checkbox"/> IN.		PART NO.		DWG NO.	
IF TWO DIMENSIONS ARE SHOWN THE UPPER IS THE DESIGN DIMENSION, LOWER IS SECONDARY		see sh. no. 2 of 3		603-6093-24	
		SIZE		B	



**Section A-B**  
(without contacts)



**RoHS COMPLIANT**

WE RELEASE  
REFERENCE  
USE ONLY

ECC NO: 12006-0679 DRAWN BY: SHANKAR 2006/06/06 CHECKED BY: SUDHIR 2006/06/06 APPROVED BY: SUDHIR 2006/06/06	QUALITY SYMBOLS	GENERAL TOLERANCES (UNLESS SPECIFIED)	DIMENSION STYLE	SCALE	DESIGN UNITS	THIRD ANGLE PROJECTION
	▼ -0 ▽ -0	mm INCH	MM ONLY	NTS	METRIC	<input checked="" type="checkbox"/> THIRD ANGLE <input type="checkbox"/> PROJECTION
MATERIAL NO. _____ DOCUMENT NO. _____	DRAFT WHERE APPLICABLE MUST REMAIN WITHIN DIMENSIONS		SEE SHEET 2		SD-85017-004	
	SIZE 1 THIS DRAWING CONTAINS INFORMATION THAT IS PROPRIETARY TO MOLEX INCORPORATED AND SHOULD NOT BE USED WITHOUT WRITTEN PERMISSION		SIZE 1 THIS DRAWING CONTAINS INFORMATION THAT IS PROPRIETARY TO MOLEX INCORPORATED AND SHOULD NOT BE USED WITHOUT WRITTEN PERMISSION		SHEET NO. 1 OF 3	

**ASSY DIN 41612 STYLE M  
INVERTED, 42 POS MALE  
C-PIN, CONNECTOR**

**MOLEX INCORPORATED**

42P-6093-042V-9	85017-0402	yes	2	----- 2	1, 2, 3...14	a+b
42P-6093-0731-9	85017-0165	no	2	----- 2	1, 2, 3...14	a+b+c
42P-6093-0731-8	85017-0373	no	2	Wire wrap 9, 4	1, 2, 3...14	a+b+c
42P-6093-072V-9	85017-0074	yes	2	----- 2	1, 2, 3...14	a+b+c
42P-6093-072V-8	85017-0062	yes	2	Wire wrap 9, 4	1, 2, 3...14	a+b+c
42P-6093-072V-7	85017-0050	yes	2	Wire wrap 13, 3	1, 2, 3...14	a+b+c
42P-6093-072V-6	85017-0048	yes	2	Wire wrap 16, 4	1, 2, 3...14	a+b+c
42P-6093-0722-9	85017-0000	no	1	----- 2	1, 2, 3...14	a+b+c
42P-6093-071V-9	85017-0359	yes	1	----- 2	1, 2, 3...14	a+b+c
42P-6093-0431-9	85017-0256	no	2	----- 2	1, 2, 3...14	a+b
Engineering number	Ordering code	Molex std.	Perform.level hard gold acc.MIL-G45204	Termination / L	Contact sequence / row	



RoHS COMPLIANT

EC NO: 2006-0679 DRAWN BY: SHANKAR CHECKED BY: SSUDHIR APPROVED BY: SSUDHIR DATE: 2006/06/06 DATE: 2006/06/06 DATE: 2006/06/06	QUALITY SYMBOLS ▽=0 ▽-0	GENERAL TOLERANCES (UNLESS SPECIFIED) mm INCH		DIMENSION STYLE MM ONLY		SCALE NTS	DESIGN UNITS METRIC	THIRD ANGLE PROJECTION
		4 PLACES ± 3 PLACES ± 2 PLACES ± 1 PLACE ±	ANGULAR ±	DRAWN BY: SHANKAR DATE: 2006/06/06 CHECKED BY: SSUDHIR DATE: 2006/06/06 APPROVED BY: SSUDHIR DATE: 2006/06/06	TITLE ASSY DIN 41612 STYLE M INVERTED, 42 POS MALE C-PIN CONNECTOR			MATERIAL NO. SEE CHART
DRAFT WHERE APPLICABLE MUST REMAIN WITHIN DIMENSIONS		THIS DRAWING CONTAINS INFORMATION THAT IS PROPRIETARY TO MOLEX INCORPORATED AND SHOULD NOT BE USED WITHOUT WRITTEN PERMISSION						

- 1. General : Technical Data .....  
42pos. Male connector acc.DIN 41612 style M inverted  
(C-Pin)
- 2. Material :
- 2.1 Moulding material : Thermoplastic Polyester GV30 grey RAL 7032
- 2.1.1 Moulding material  
burning properties acc. to UL94 V0
- 2.1.2 Resistance against  
solvents : good
- 2.2 Pin contact : CuSn
- 2.2.1 Contact plating : Performance level I or II (Test acc.DIN 41612 part.5)
- 3. Printing : Part.No., date of manufacturing



RoHS COMPLIANT

EC NO: 2006-0679 DRW: SHANKAR 2006/06/06 CHKD: SSUDHIR 2006/06/06 APPR: SSUDHIR 2006/06/06	QUALITY SYMBOLS ▽-0 ▽-0	GENERAL TOLERANCES (UNLESS SPECIFIED)		DIMENSION STYLE	SCALE	DESIGN UNITS	THIRD ANGLE PROJECTION
		mm	INCH	MM ONLY	NTS	METRIC	<input checked="" type="checkbox"/> THIRD ANGLE <input type="checkbox"/> FIRST ANGLE
		4 PLACES ±	±	DRAWN BY	DATE	<b>ASSY DIN 41612 STYLE M INVERTED, 42 POS MALE C-PIN CONNECTOR</b>  <b>MOLEX INCORPORATED</b>	
		3 PLACES ±	±	SHANKAR	2006/06/06		
		2 PLACES ±	±	CHECKED BY	DATE		
		1 PLACE ±	±	SSUDHIR	2006/06/06		
		ANGULAR ± °		APPROVED BY	DATE		
				SSUDHIR	2006/06/06		
DRAFT WHERE APPLICABLE MUST REMAIN WITHIN DIMENSIONS				SEE SHEET 2		SD-85017-004	
				THIS DRAWING CONTAINS INFORMATION THAT IS PROPRIETARY TO MOLEX INCORPORATED AND SHOULD NOT BE USED WITHOUT WRITTEN PERMISSION		SHEET NO. 3 OF 3	