

May.1.2023 Copyright 2023 HIROSE ELECTRIC CO., LTD. All Rights Reserved.
 In case of consideration for using Automotive equipment / device which demand high reliability, kindly contact our sales window correspondents.

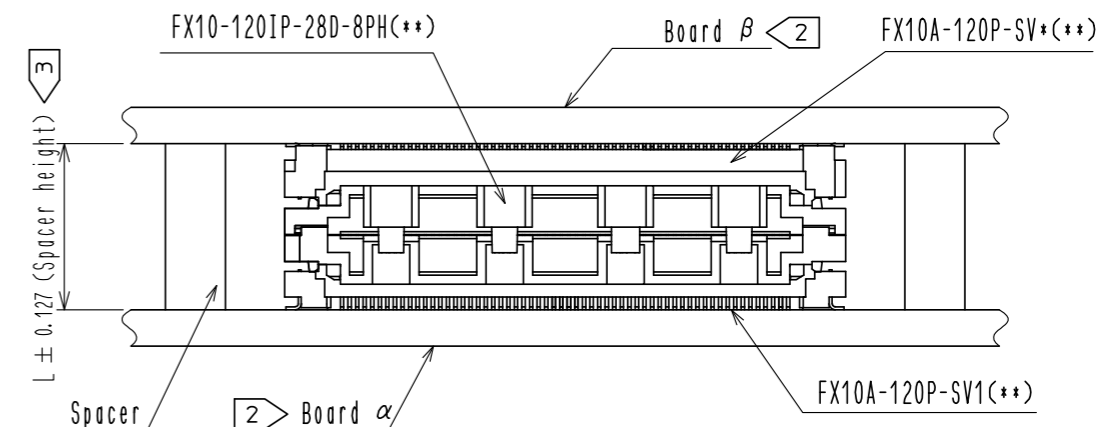
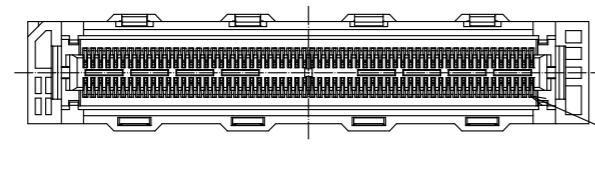
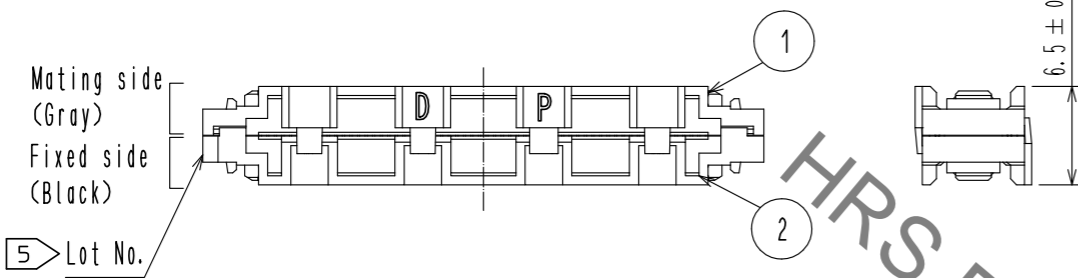
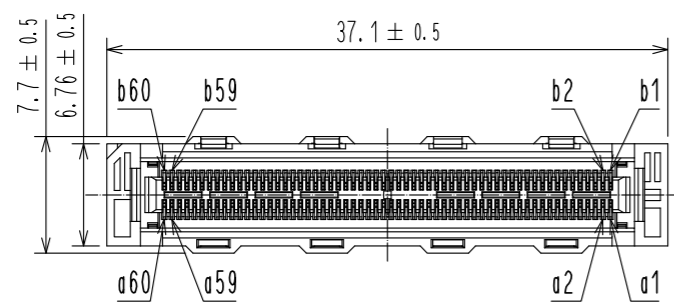


Fig.1 Recommended spacer height (Free)

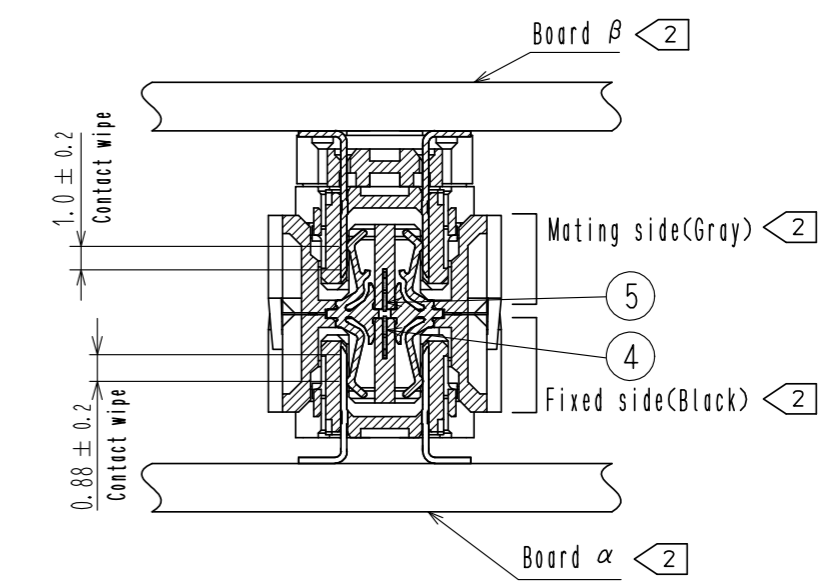


Fig.2 Mating cross section (Free)

Table.1 Stacking height and connector combinations <1>

Board distance (Stacking height)	Header connector of Board α	Interposer	Header connector of Board β	Recommended spacer height(L) <3>
11mm	FX10A-120P-SV1(**)	FX10-120IP-28D-8PH(03)	FX10A-120P-SV2(**)	11±0.127mm
12mm	FX10A-120P-SV1(**)		FX10A-120P-SV3(**)	12±0.127mm
13mm	FX10A-120P-SV1(**)		FX10A-120P-SV4(**)	13±0.127mm

Table.2 Pin configuration of Interposer <4>

Row A Pin No.	1	2	3	4	5	6	7	8	9	10	11	12	13	14	15	16	17	18	19	20	21	22	23	24	25	26	27	28	29	30	31	32	33	34	35	36	37	38	39	40	41	42	43	44	45	46	47	48	49	50	51	52	53	54	55	56	57	58	59	60						
Pin configuration	G1	S	G1	S	G1	S	G1	S	G1	S	G1	S	G1	S	G1	S	G1	S	G1	S	G1	S	G1	S	G1	S	G1	S	G1	SE	SE	G2	S	G2	S	G2	S	G2	S	G2	S	G2	S	G2	S	G2	S	G2	S	G2	S	G2	S	G2	S	G2	S	G2	S	G2	S	G2	S	G2	S	G2
Row B Pin No.	1	2	3	4	5	6	7	8	9	10	11	12	13	14	15	16	17	18	19	20	21	22	23	24	25	26	27	28	29	30	31	32	33	34	35	36	37	38	39	40	41	42	43	44	45	46	47	48	49	50	51	52	53	54	55	56	57	58	59	60						
Pin configuration	G1	S	G1	S	G1	S	G1	S	G1	S	G1	S	G1	S	G1	S	G1	S	G1	S	G1	S	G1	S	G1	S	G1	S	G1	SE	SE	G2	S	G2	S	G2	S	G2	S	G2	S	G2	S	G2	S	G2	S	G2	S	G2	S	G2	S	G2	S	G2	S	G2	S	G2	S	G2				

S: Signal for Differential SE: Signal for Single-ended G1: Common ground 1 G2: Common ground 2

- <1> The header connectors are decided by board distance (stacking height). Connector combination is shown in Table 1.
- <2> Fixed side (Black side) of interposer should be mated with header mounted on board α. Mating side (Gray side) should be mated with header mounted on board β.
- <3> Spacers are required to support the PWB's and protect the SMT solder joints. Recommended spacer height is shown in Table 1.
- <4> Pin configuration is shown in Table 2. This product consists of 28 Differential pairs, 4 Single-ended lines and 60 ground lines.
- <5> Lot No. shall be marked on the indicated position.
- <6> 50pcs of this product are packed in soft tray. See Fig.3 for details.

3	Copper Alloy	Ni1.5μm+Au0.76μm	6	PS	(Tray)		
2	LCP(Black)	UL94V-0	5	Copper Alloy	Ni1μm		
1	LCP(Gray)	UL94V-0	4	Copper Alloy	Ni1μm		
NO.	MATERIAL	FINISH	REMARKS	NO.	MATERIAL	FINISH	REMARKS
UNITS mm HRS SCALE 2:1 COUNT 1 DESCRIPTION OF REVISIONS DESIGNED CHECKED DATE							
APPROVED: TM. MATSUO			17.07.19		DRAWING NO. EDC-361674-03-00		
CHECKED: MK. EZAKI			17.07.19		PART NO. FX10-120IP-28D-8PH(03)		
DESIGNED: AS. MATSUZAWA			17.07.19		CODE NO. CL608-0014-5-03		
DRAWN: XINGYU CHENG			17.07.19		1/2		

May.1.2023 Copyright 2023 HIROSE ELECTRIC CO., LTD. All Rights Reserved.
 In case of consideration for using Automotive equipment / device which demand high reliability, kindly contact our sales window correspondents.

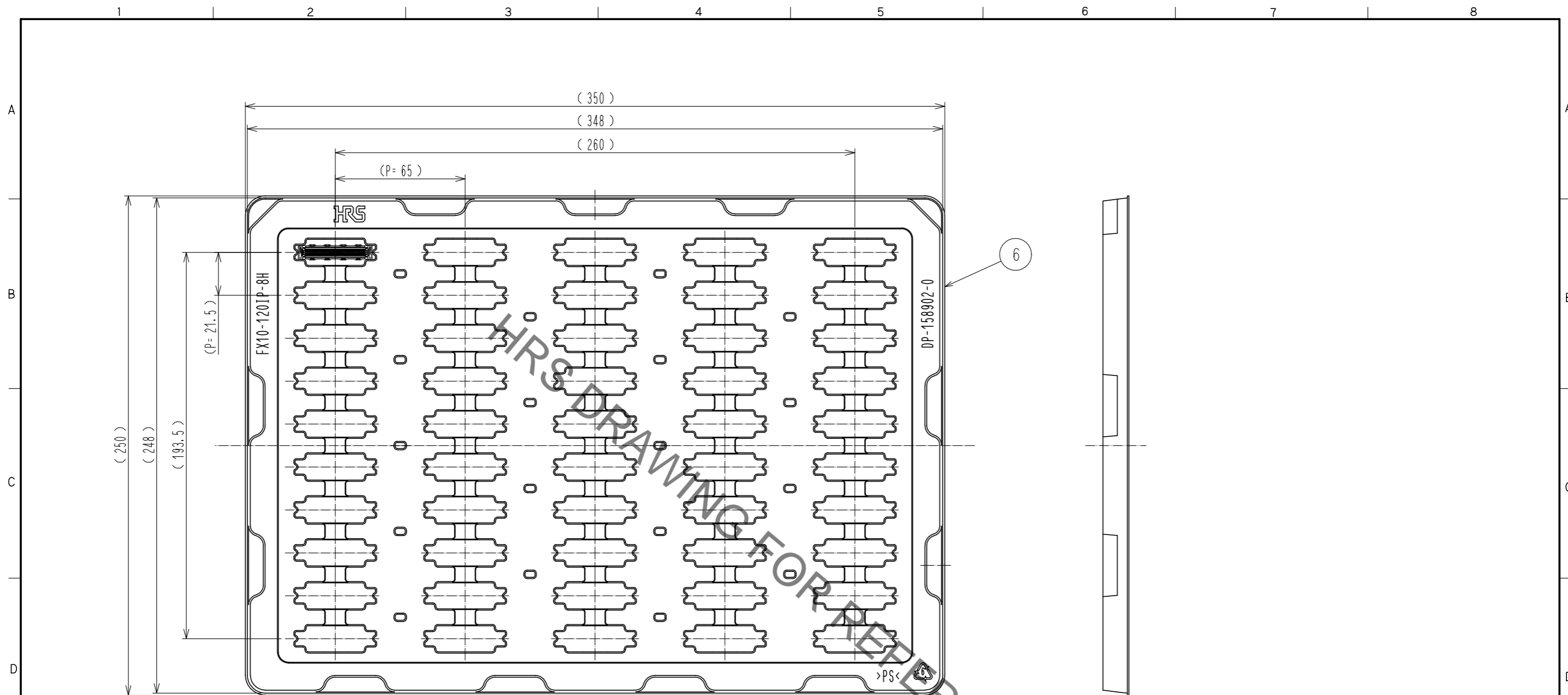


Fig.3 Drawing for packing (1:2)

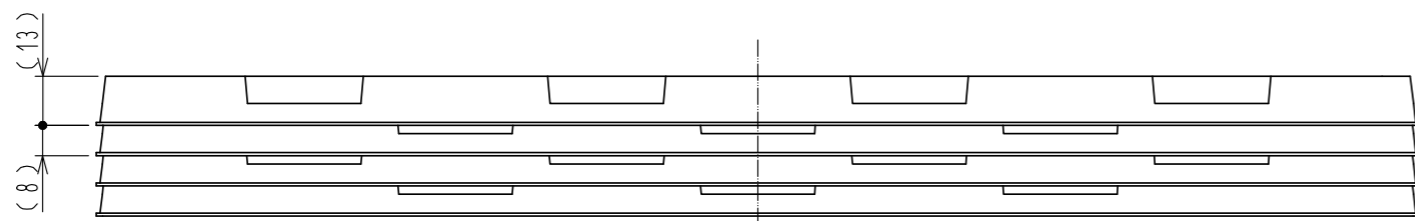


Fig.4 Stacked tray drawing (1:2)

HRS	DRAWING NO.	EDC-361674-03-00
	PART NO.	FX10-120IP-28D-8PH(03)
	CODE NO.	CL608-0014-5-03 2/2