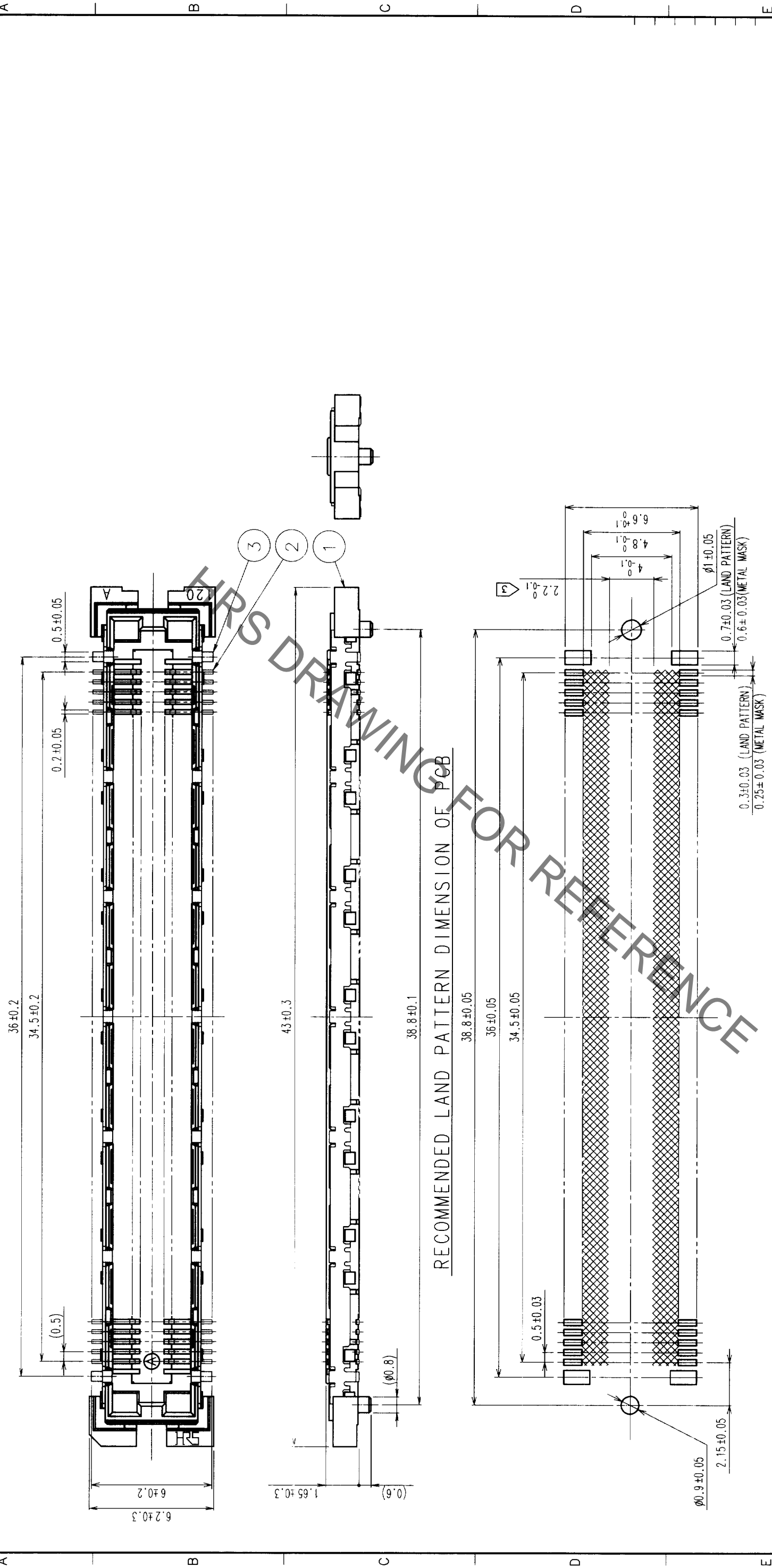


COUNT	DESCRIPTION OF REVISIONS	BY	CHKD	DATE	COUNT	DESCRIPTION OF REVISIONS	BY	CHKD	DATE
1					1				
2					2				
3					3				



RECOMMENDED LAND PATTERN DIMENSION OF PCB

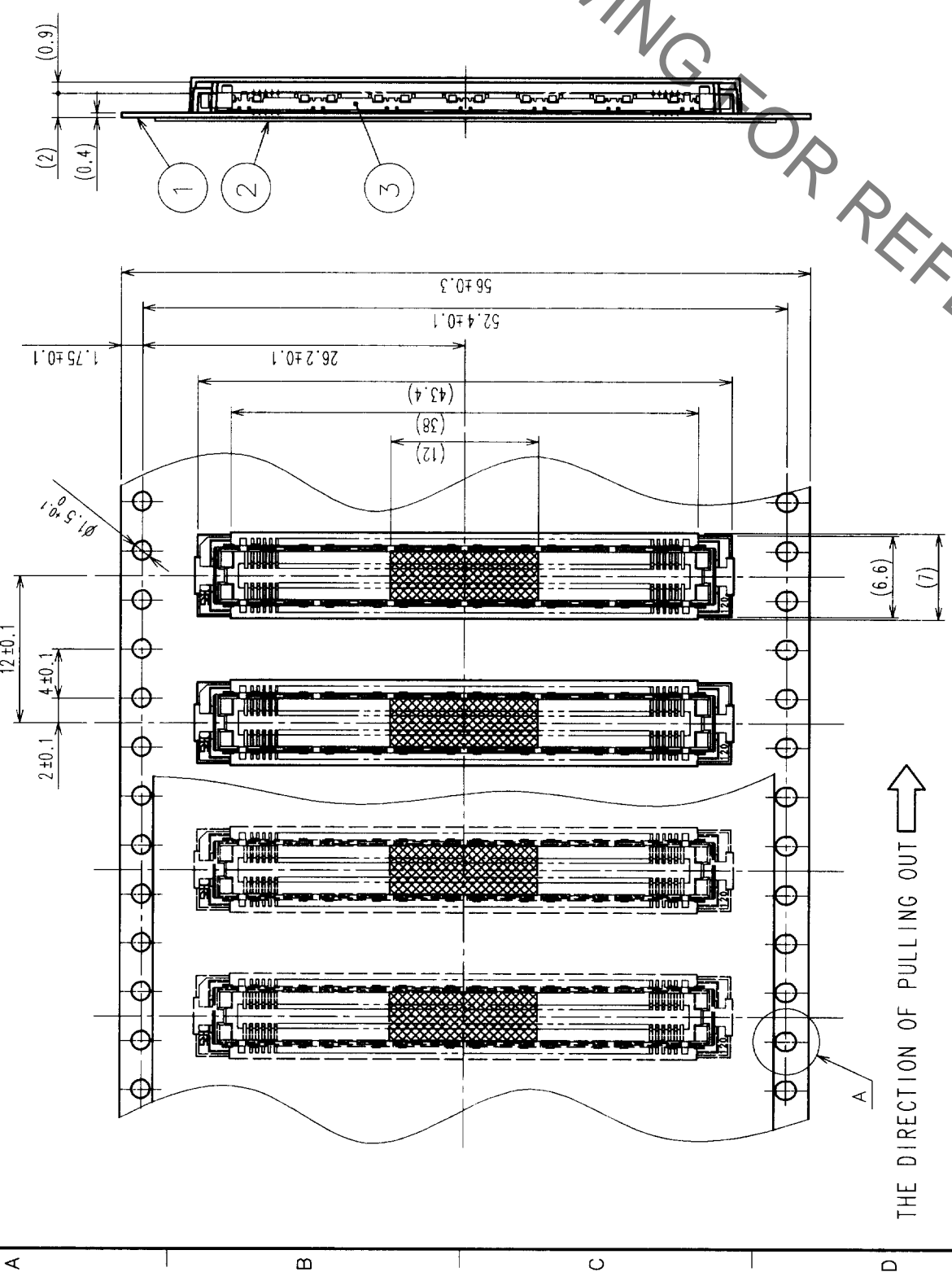
NO.	PHOSPHOR BRONZE	FINISH, REMARKS	DESIGNED	CHECKED	APPROVED	REMARKS
2	PHOSPHOR BRONZE	CONTACT AREA: GOLD (0.1μm) OVER NICKEL				
1	LCP	LEAD: GOLD FLASH OVER NICKEL				
3	PHOSPHOR BRONZE	TIN PLATED				

DRAWING NO.	EDC3-152119-02	PART NO.	FX11LA-140S-SV (22)
SCALE	5 : 1	CODE NO.	CL573-0145-4-22
UNITS	mm		

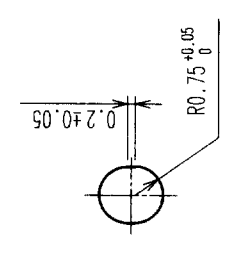
- NOTES
- SMT LEAD-COPLANARITY: 0.1 MAX.
  - THIS PRODUCT HAS NO POLARITY TO PATTERN FOR MOUNTING.
  - MAKE SURE WIDTH OF PATTERN IS WITHIN THAT OF LAND, OR LEAD MAY TOUCH PATTERN. (THIS APPLIES TO HATCHED AREA.)
  - TO BE EMBOSSED CARRIER TAPED AS SPECIFIED IN SHEET 2.

TO	
PCK	

COUNT	DESCRIPTION OF REVISIONS	BY	CHKD	DATE	COUNT	DESCRIPTION OF REVISIONS	BY	CHKD	DATE
△					△				
△					△				

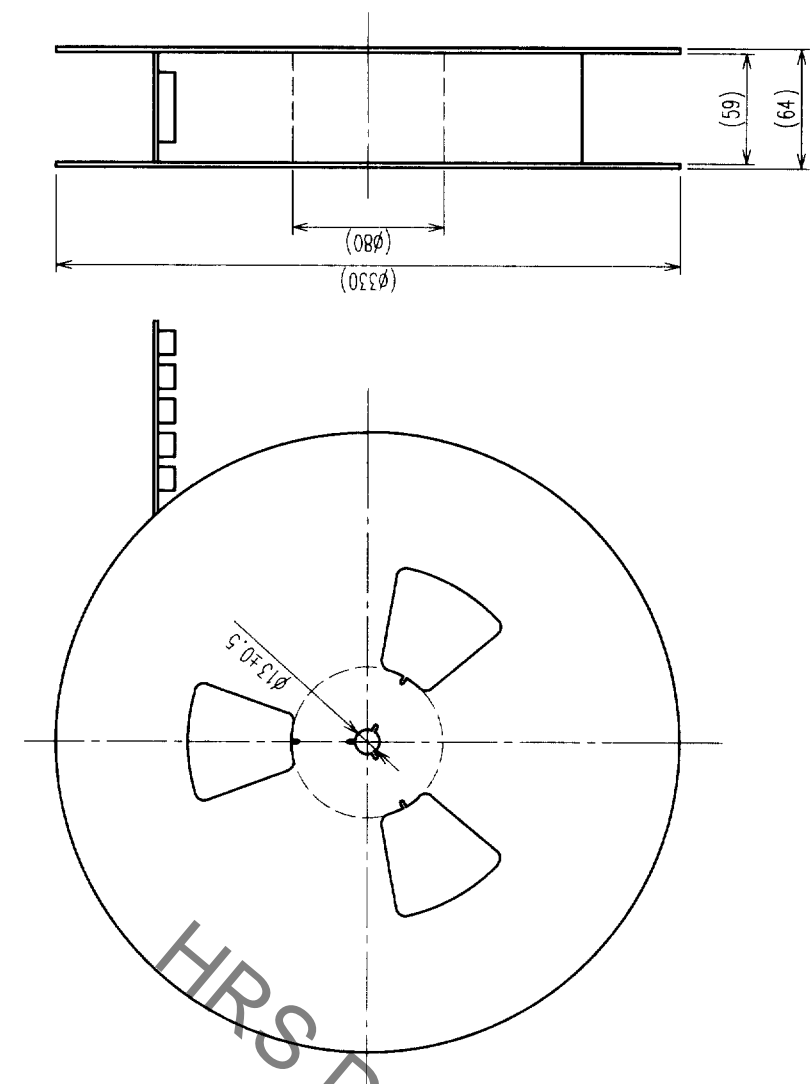


A (5:1)



DETAIL FOR TAPE PICKUP (5:1)

REELED DIMENSION (Free)



- NOTES 1 REEL:1000 CONNECTORS.
- 2 MINIMUM 10 COMPARTMENTS FROM BOTH REEL ENDS REMAIN EMPTY.
- 3 THIS PRODUCT HAS NO POLARITY TO TAPE AND REEL PACKAGING.

2	PET	TOP COVER TAPE	4	POLYIMIDE	(TAP FOR VACUUM PICKUP)
1	PS	EMBOSSED CARRIER TAPE	3	(CONNECTOR)	
NO.	MATERIAL	FINISH, REMARKS	NO.	MATERIAL	FINISH, REMARKS
CODE NO. (OLD) CL		DRAWN <i>Mitsubawa Mitsubawa M. Sakai</i> 19.10.27		CHECKED <i>J. Yoshimura</i> 19.10.28	APPROVED <i>J. Yoshimura</i> 19.10.28
DRAWING FOR PACKING		DESIGNED <i>Mitsubawa Mitsubawa M. Sakai</i> 19.10.27		RELEASED	
DRAWING NO. EDC3-152119-02		PART NO. FX11LA-140S-SV(22)			
SCALE 2 : 1		CODE NO. CL573-0145-4-22			
UNITS mm		HIROSE ELECTRIC CO., LTD			

TO	
PCK	