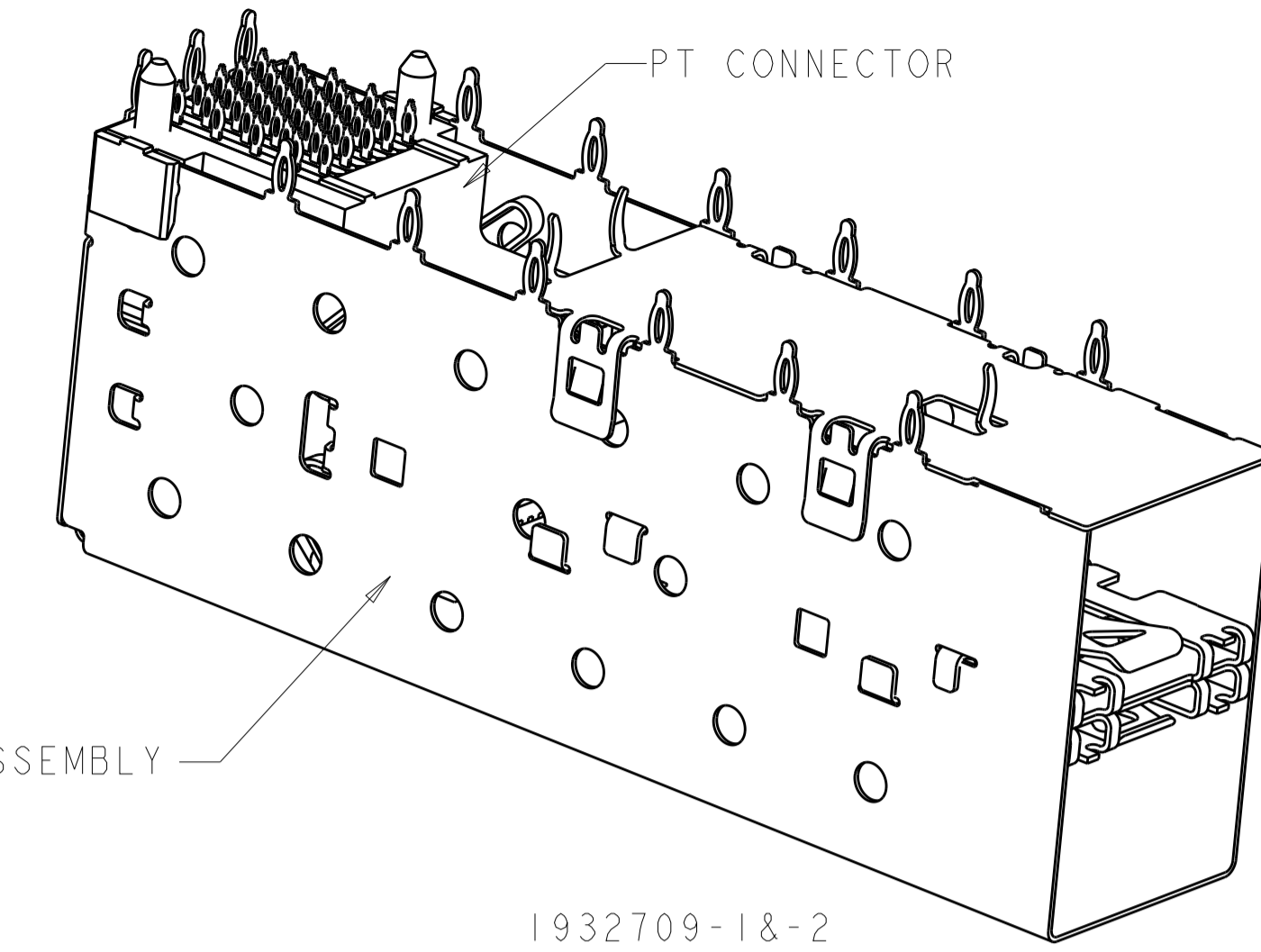


| LOC | DIST | REV | DATE | BY | CHK | APPV |
|-----|------|-----|------|----|-----|------|
| ES  | 00   |     |      |    |     |      |

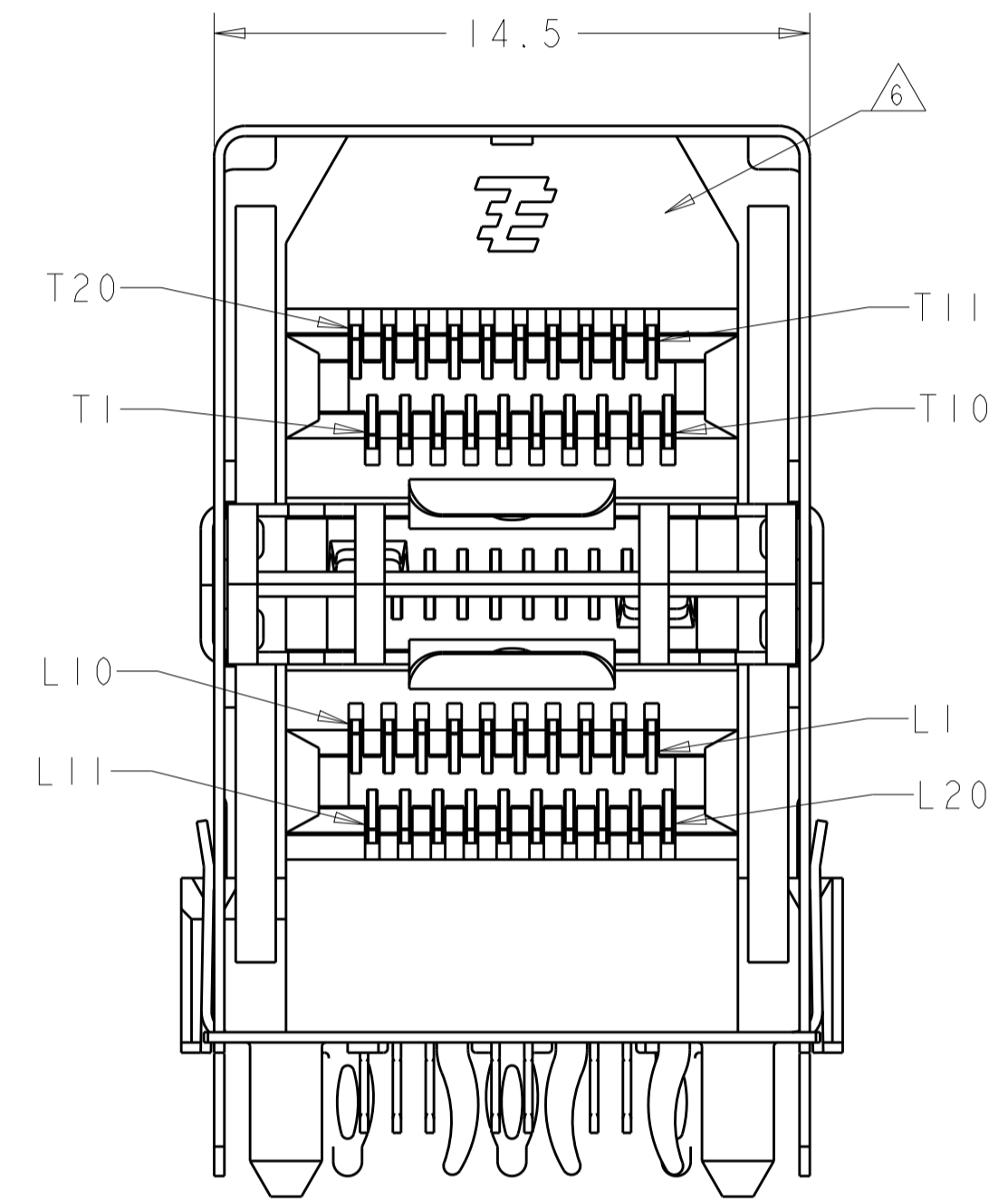
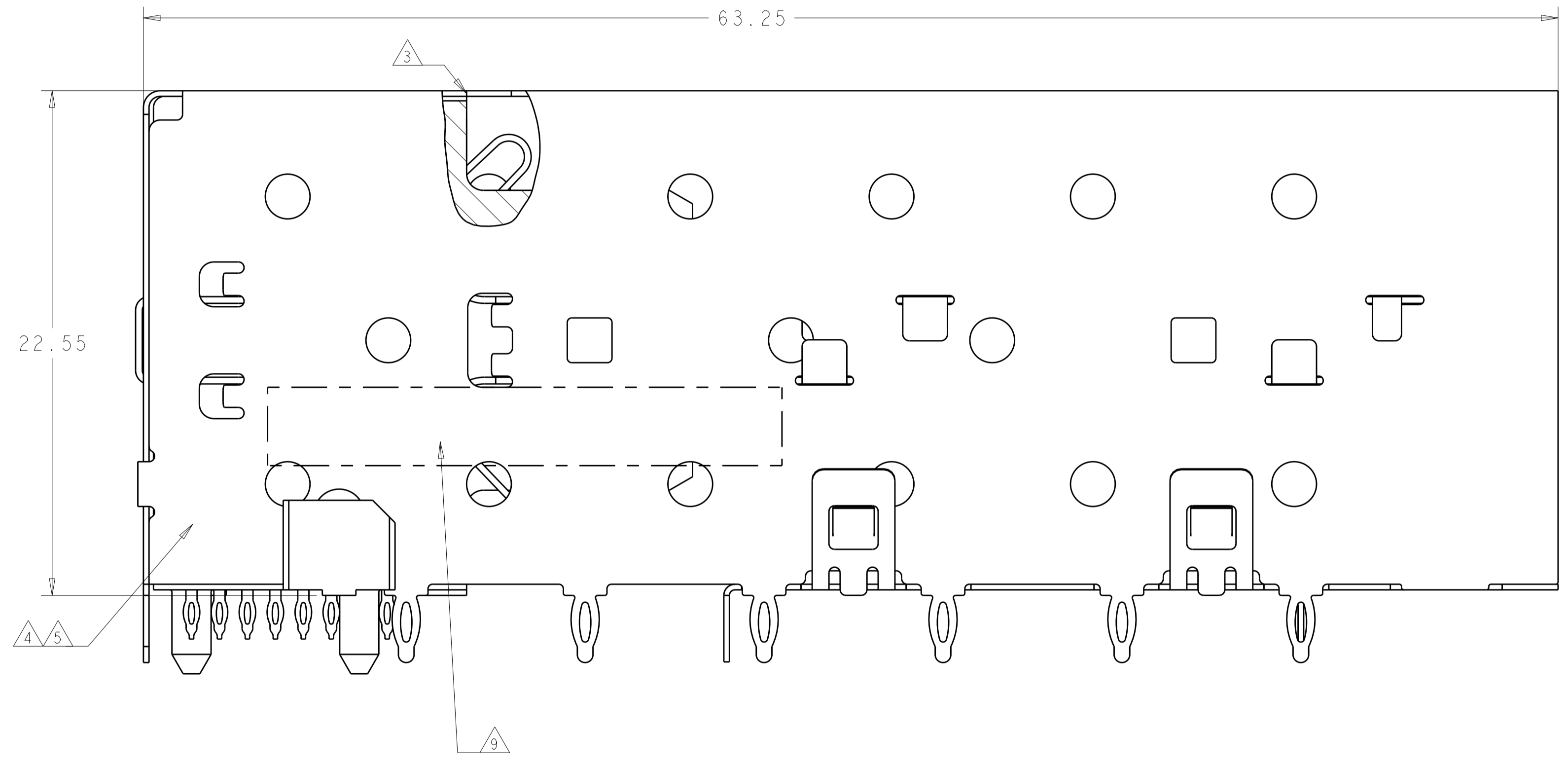
  

| REVISIONS |           |    |     |      |                           |      |
|-----------|-----------|----|-----|------|---------------------------|------|
| REV       | DATE      | BY | CHK | APPV | DESCRIPTION               | DATE |
| A         | 27FEB2012 | JY | AC  |      | INITIAL RELEASE           |      |
| B         | 20FEB2014 | JW | SH  |      | REVISED PER ECO-14-000886 |      |
| B1        | 11JUL2014 | JW | SH  |      | REVISED PER ECO-14-010419 |      |
| C         | 25SEP2015 | JW | SH  |      | REVISED PER ECO-15-013594 |      |

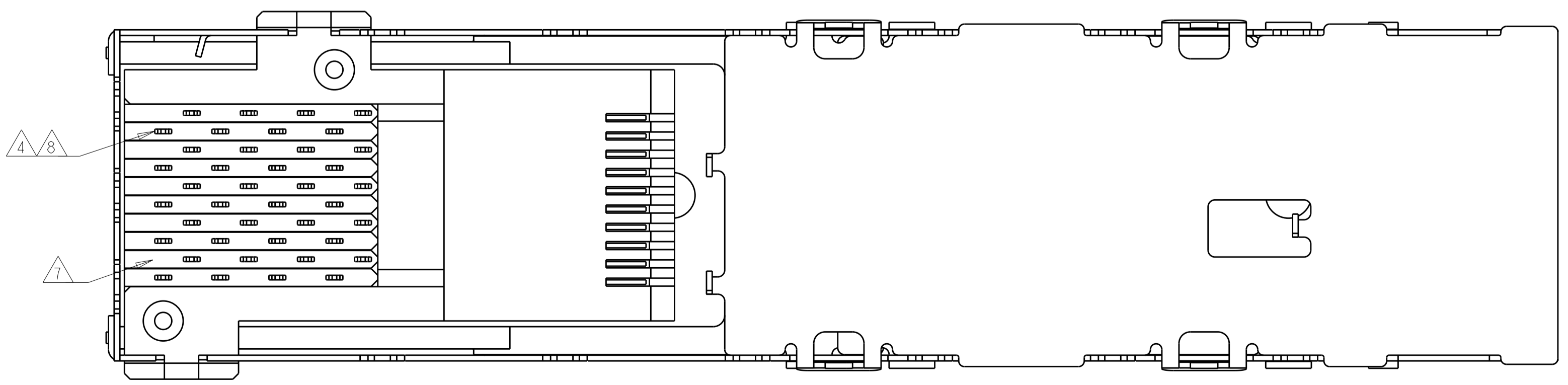


2X1 CAGE ASSEMBLY

1932709-18-2  
SCALE 3:1



- ① DATUM AND BASIC DIMENSION TO BE DETERMINED BY CUSTOMER.
- ② INTERPRETATION OF DATUM REFERENCE FRAME IN ACCORDANCE WITH SECT 4.4.1.1 OF ASME Y14.5M-1994.
- ③ TOP OF PT CONNECTOR TO BE 0-0.15 FROM INSIDE SURFACE OF CAGE.
- ④ COPPER ALLOY.
- ⑤ 1.25umMIN TIN PER ASTM B 545 OVER NICKEL FLASH PER QQ-N-290. NON-PLATED EDGES PERMISSIBLE.
- ⑥ LCP, HIGH TEMPERATURE, UL 94V-0 RATED, BLACK.
- ⑦ POLYESTER, UL 94V-0 RATED, BLACK.
- ⑧ CONTACT MATING AREA: SURFACE TREATMENT OVER 0.76um MIN GOLD PER ASTM B 488 OVER 1.27um MIN NICKEL PER QQ-N-290. NEEDLE EYE: 1.25um MIN TIN PER ASTM B 545 OVER 1.27um MIN NICKEL PER QQ-N-290. REMAINDER OF CONTACT: 0.76um MIN NICKEL PER QQ-N-290.
- ⑨ DATE CODE AND PART NUMBER IN APPROXIMATE LOCATION SHOWN
- ⑩ NICKEL SILVER ALLOY(NO PLATING)



**SUPERSEDED BY:**  
1932709-2

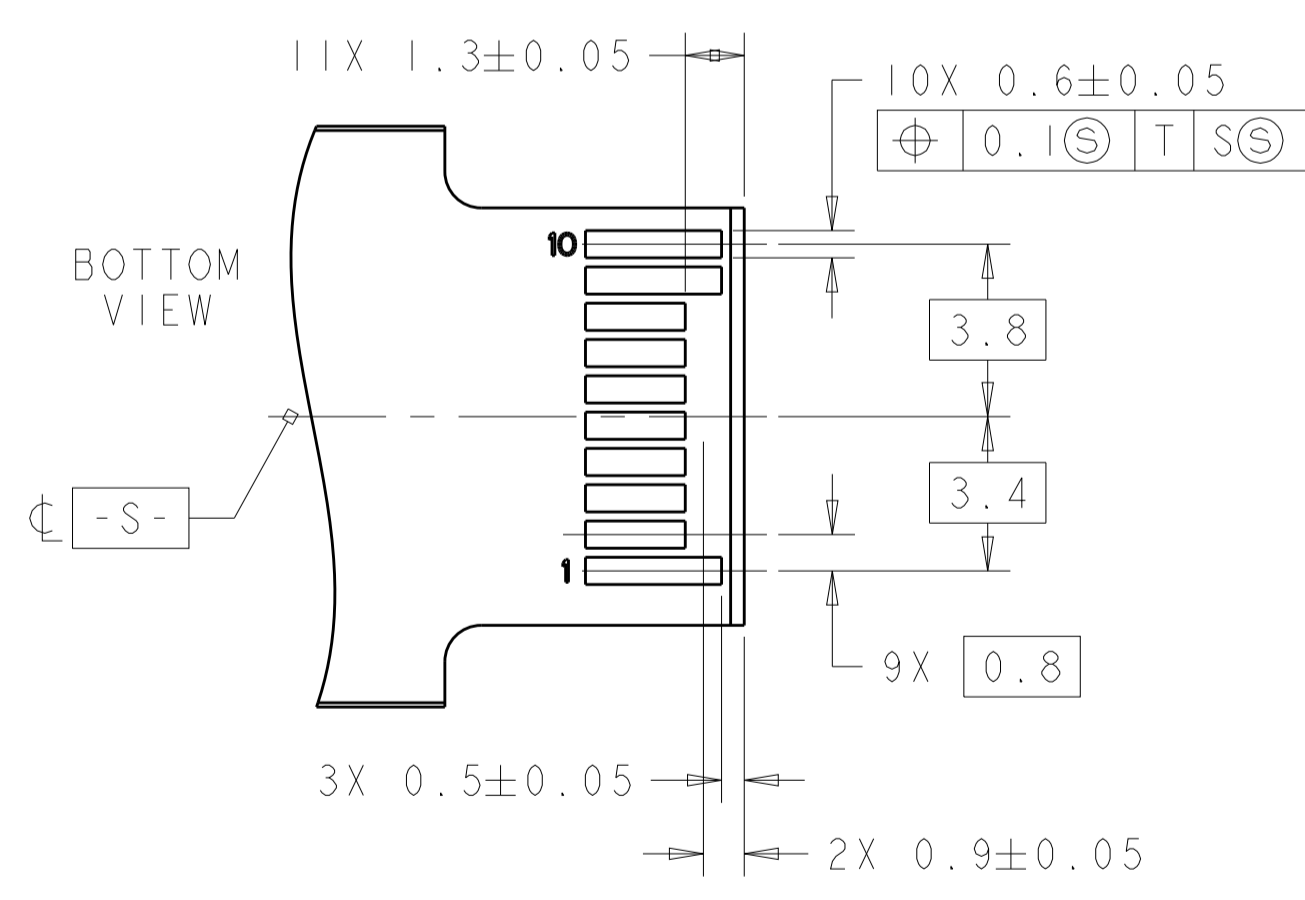
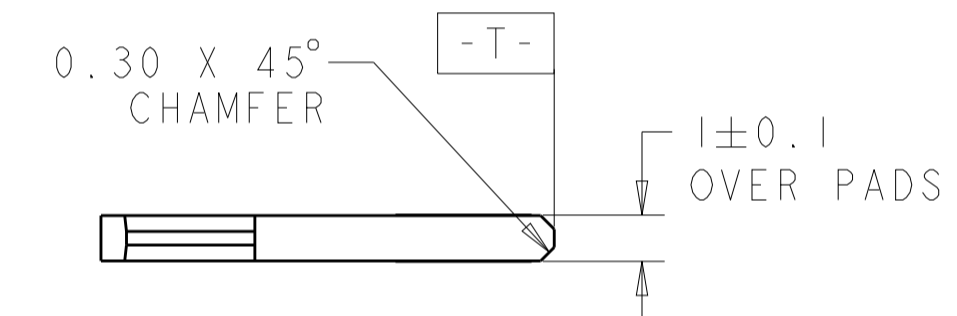
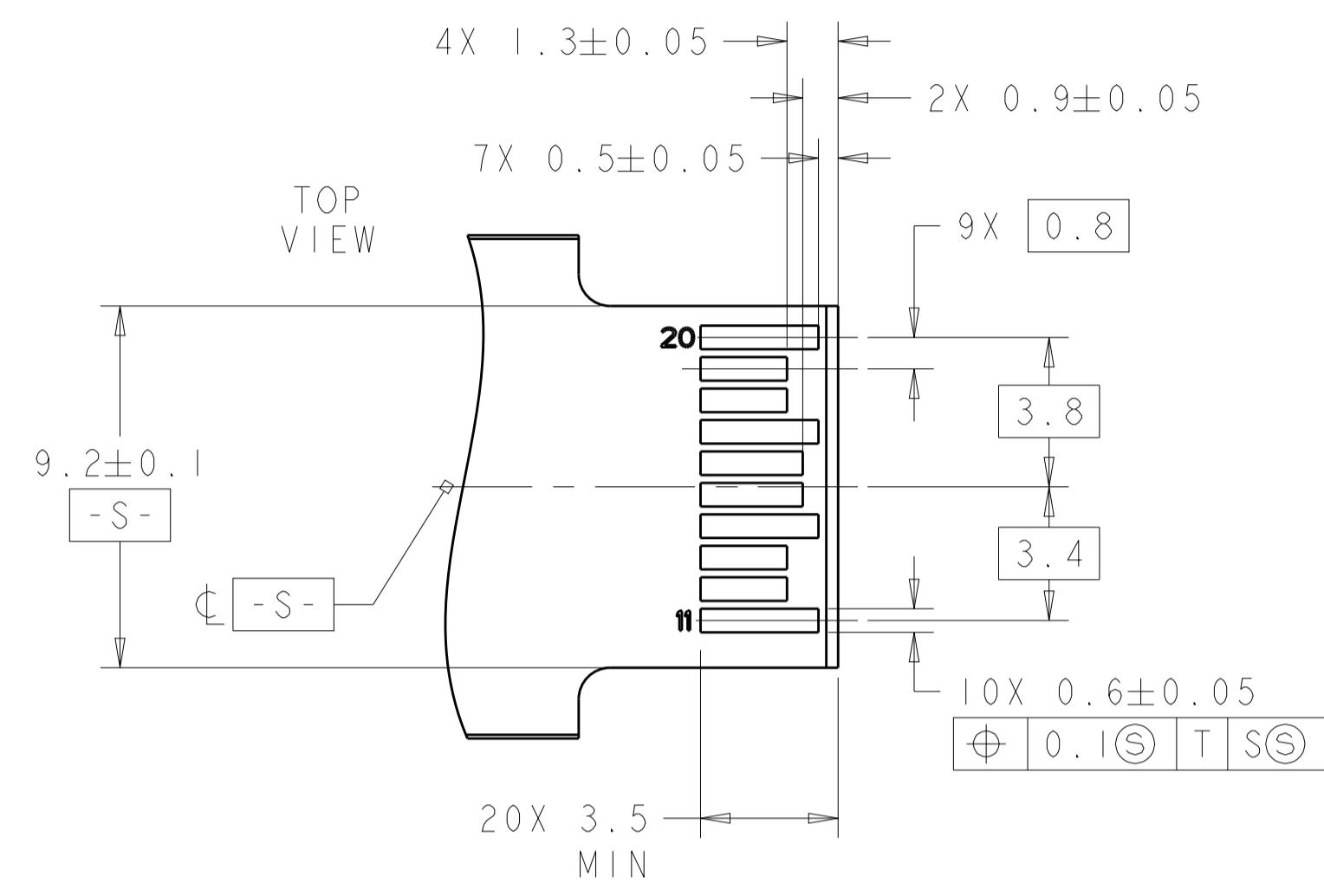
|                  |                    |             |               |             |
|------------------|--------------------|-------------|---------------|-------------|
| CONNECTOR FINISH | CONNECTOR MATERIAL | CAGE FINISH | CAGE MATERIAL | PART NUMBER |
| NO               | NO                 | NO          | NO            | 1932709-2   |

|  |            |                              |                  |
|--|------------|------------------------------|------------------|
| THIS DRAWING IS A CONTROLLED DOCUMENT. |            | DWN Jason Yang 15SEP2010     |                  |
| DIMENSIONS:                            |            | CHK Wang Manliang 15SEP2010  |                  |
| mm                                     | 0 PLC ±    | APPV Wang Manliang 15SEP2010 |                  |
|  | 2 PLC ±0.1 | PRODUCT SPEC                 |                  |
|  | 3 PLC ±    | 108-2161                     |                  |
|  | 4 PLC ±    | APPLICATION SPEC             |                  |
|  | ANGLES ±   | 114-13103                    |                  |
| MATERIAL                               | FINISH     | WEIGHT                       | Customer Drawing |

|           |           |   |               |
|-----------|-----------|---|---------------|
| NAME      |           | CAGE AND PT CONNECTOR ASSEMBLY, 2x1, PRESS FIT, LOW PROFILE, W/O EMI SPRINGS, SFP |               |
| SIZE      | CAGE CODE | DRAWING NO  | RESTRICTED TO |
| A1        | 00779     | C=1932709   |               |
| SCALE 1:1 |           | SHEET 1   | OF 3          |
|           |           | REV   | C             |



| LOC |     | DIST        |      | REVISIONS |      |  |  |
|-----|-----|-------------|------|-----------|------|--|--|
| P   | LTN | DESCRIPTION | DATE | DWN       | APVD |  |  |
| -   | -   | SEE SHEET 1 | -    | -         | -    |  |  |
|     |     |             |      |           |      |  |  |
|     |     |             |      |           |      |  |  |



RECOMMENDED LAYOUT FOR  
 MATING TRANSCEIVER PCB  
 SCALE 6:1

|  |  |                             |  |
|--|--|-----------------------------|--|
| THIS DRAWING IS A CONTROLLED DOCUMENT.                             |  | DWN Jason Yang 15SEP2010    | TE Connectivity  |
| DIMENSIONS: mm   |  | CHK Wang Manqian 15SEP2010  |  |
| TOLERANCES UNLESS OTHERWISE SPECIFIED:                             |  | APVD Wang Manqian 15SEP2010 | NAME CAGE AND PT CONNECTOR ASSEMBLY, 2x1, PRESS FIT, LOW PROFILE, W/O EMI SPRINGS, SFP |
| 0 PLC ±<br>1 PLC ±0.1<br>2 PLC ±<br>3 PLC ±<br>4 PLC ±<br>ANGLES ± |  | PRODUCT SPEC 108-2161       |  |
| MATERIAL FINISH  |  | APPLICATION SPEC 114-13103  | SIZE CAGE CODE DRAWING NO RESTRICTED TO  |
|  |  | WEIGHT                      | A100779C=1932709   |
|  |  | Customer Drawing            | SCALE 8:1 SHEET 3 OF 3 REV C   |