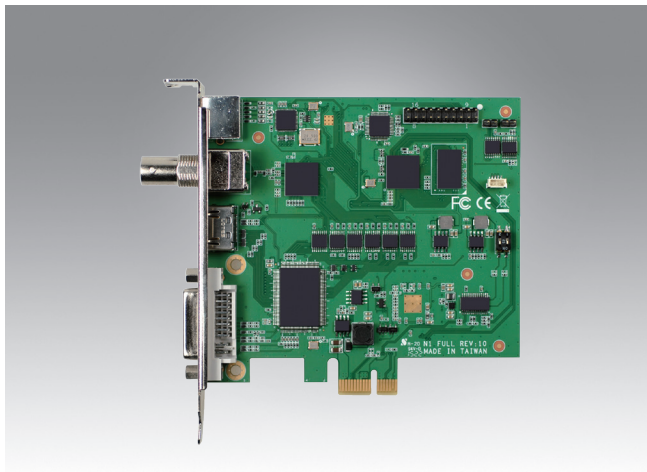


DVP-7011HE

1-ch Full HD H.264/MPEG4 PCIe Video Capture Card with SDK



Features

- 1-channel HD-SDI/HDMI/DVI-D/DVI-A/YpPr video input with H.264/MPEG4 software compression
- 60/50 fps (NTSC/PAL) at up to 1920 x 1080p resolution for recording and display
- PCIe x 1 host interface
- Supports Watchdog function
- Windows/Linux OS supported



Introduction

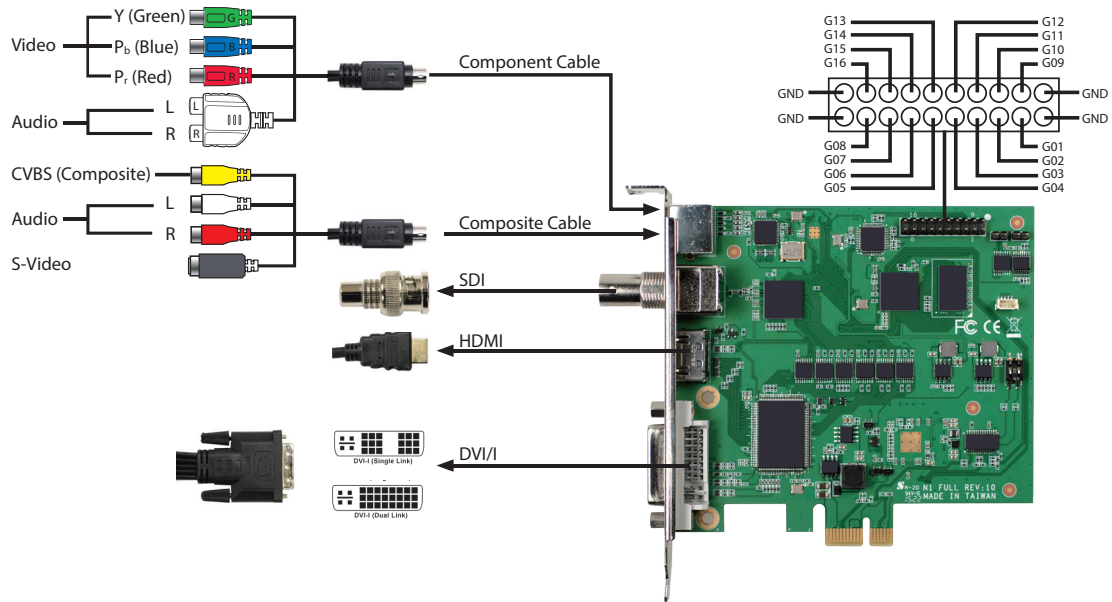
DVP-7011HE is a PCIe-bus, software compression video capture card with 1 channel of either HD-SDI, HDMI, DVI-D, DVI-A, or YpPr video and 1 audio input. DVP-7011HE supports H.264/MPEG4 compression format at up to Full HD 1080p for each channel. With an easy-to-use software development kit (SDK) and flexibility to stack multiple cards, DVP-7011HE is an ideal solution for various video capture applications or video surveillance.

Specifications

Video	Video Input	1 x SDI/HDMI/DVI-D/DVI-A/YpPr
	Compression	S/W H.264 / MPEG4
	Max. Display Rate	60/50 fps (NTSC/PAL) @ 1920 x 1080p
	Max. Recording Rate	60/50 fps (NTSC/PAL) @ 1920 x 1080p
Audio	Audio Input	1 x SDI, 1 x HDMI, 2 x RCA
	Format	Stereo, 16-bit, 32 ~ 48 kHz
System Requirements	CPU (Display)	Intel® Core™ 2 Duo E2200 2.2 GHz
	CPU (Recording)*	Intel® Core™ 2 Quad Q9400 2.6GHz
	Memory	2 GB
	VGA	1024 x 768, DirectX 9.0c
	Operating System	Windows XP/XPe/Vista/7; Linux 2.6.14 or higher; 32/64 bit
Physical Characteristics	Host Interface	PCIe x 1
	Operating Temperature	-20 ~ 70 °C (-4 ~ 158 °F)
	Storing Temperature	-40 ~ 85 °C (-40 ~ 185 °F)
	Dimension (L x H)	107 x 101 mm (4.2" x 3.9")
	Safety	CE/FCC

*For high quality full HD video recording at max. recording rate, Intel Sandy Bridge processor or above and Win7 OS are recommended

Connection Diagram



Ordering Information

Part Number	Description
DVP-7011HE	1-ch Full HD H.264/MPEG4 PCIe Video Capture Card with SDK

Packing List

Item	Amount
DVP-7011HE Capture Card	1 (piece)
Audio (RCA) / Video (YPbPr) cable	1 (piece)