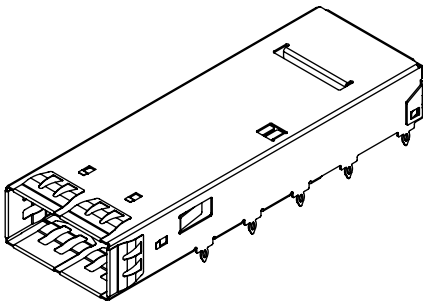
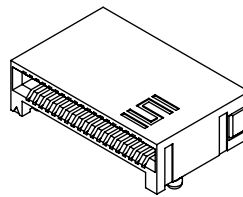


DO NOT SCALE FROM THIS PRINT

DESIGNED & DIMENSIONED IN MILLIMETERS [INCHES]



QSFP8-038-01-L-D-RA1



QSFP8-038-01-L-D-RA1

QSFPK-PF-XX

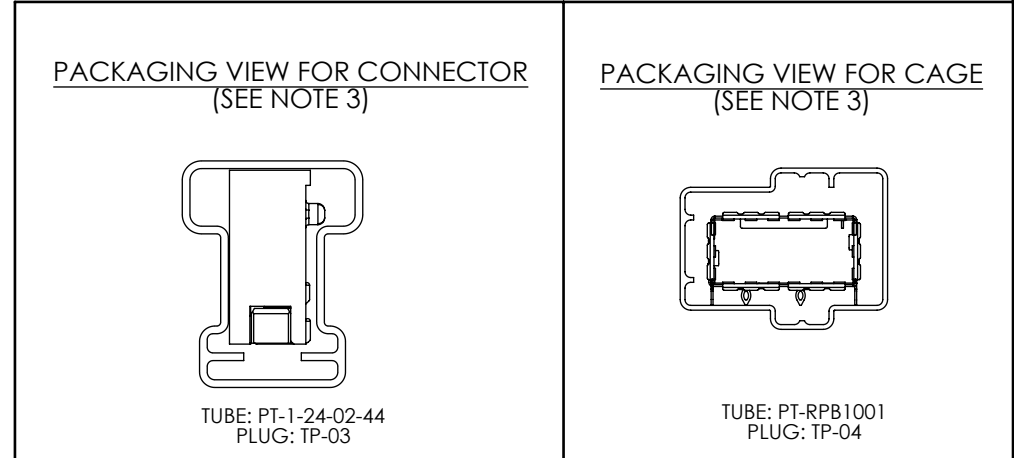
PRESS FIT

OPTION

- 01: WITHOUT HEAT SINK (USE QSFP8-038-01-L-D-RA1 ONE EACH)
- 02: WITH HEAT SINK ASSEMBLED (SEE NOTE 4) (USE QSFP8-038-01-L-D-RA1, HS-100-01 & SH58-01 ONE EACH)
- 03: WITH HEAT SINK IN A KIT (USE QSFP8-038-01-L-D-RA1, HS-100-01, & SH58-01 ONE EACH)

FIG 1 (QSFPK-PF-01 SHOWN)

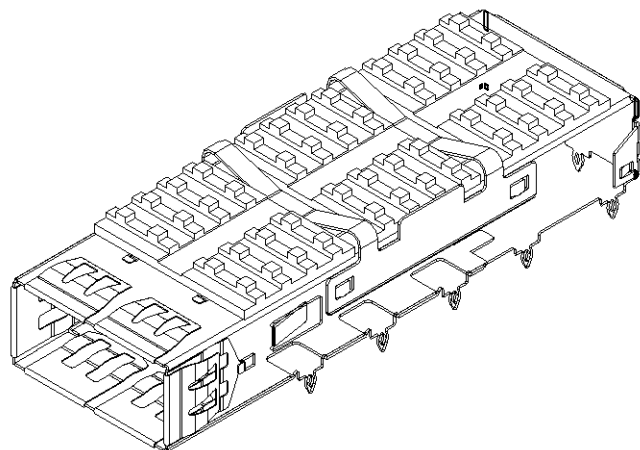
TABLE 1		
STYLE	PART NUMBER	QUANTITY
QSFPK-PF-01	QSFP8-038-01-L-D-RA1	1.000
	PT-1-24-02-44	0.033
	TP-03	0.066
	PT-RPB1001	0.110
	TP-04	0.220
	TP-07	0.090
QSFPK-PF-02	QSFP8-038-01-L-D-RA1	1.000
	PT-1-24-02-44	0.033
	TP-03	0.066
	PT-RPB1001	0.110
	TP-04	0.220
	TP-07	0.090
QSFPK-PF-03	QSFP8-038-01-L-D-RA1	1.000
	HS-100-01	1.000
	SH58-01	1.000
	PT-1-24-02-44	0.033
	TP-03	0.232
	PT-RPB1001	0.110
	TP-04	0.220
	PT-1-24-14-29	0.083
	PT-1-24-01-34	0.045
TP-07	0.090	



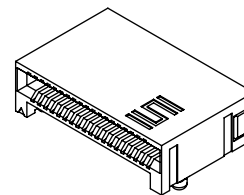
UNLESS OTHERWISE SPECIFIED, DIMENSIONS ARE IN MILLIMETERS. TOLERANCES ARE: DECIMALS ANGLES X.X: ±0.3 [.01] 2° X.XX: ±0.13 [.005] X.XXX: ±0.051 [.0020]	PROPRIETARY NOTE THIS DOCUMENT CONTAINS INFORMATION CONFIDENTIAL AND PROPRIETARY TO SAMTEC, INC. AND SHALL NOT BE REPRODUCED OR TRANSFERRED TO OTHER DOCUMENTS OR DISCLOSED TO OTHERS OR USED FOR ANY PURPOSE OTHER THAN THAT WHICH IT WAS OBTAINED WITHOUT THE EXPRESSED WRITTEN CONSENT OF SAMTEC, INC.	<p>520 PARK EAST BLVD, NEW ALBANY, IN 47150 PHONE: 812-944-6733 FAX: 812-948-5047 e-Mail: info@SAMTEC.com code 53322</p>
--	--	--

MATERIAL: DO NOT SCALE DRAWING SHEET SCALE: 1:5:1 INSULATOR: LCP CONTACT: PHOS BRONZE SHIELD: PHOS BRONZE & SUS 304 HEAT SINK: ALUMINUM-ALLOY	DESCRIPTION: QSFP ASM DWG. NO. QSFPK-PF-XX	BY: ROY LUO 7/5/2010 SHEET 1 OF 3
---	---	-----------------------------------

- NOTES:
- ⊙ REPRESENTS A CRITICAL DIMENSION.
 - MINIMUM PUSHOUT FORCE: 1.1N [0.25 LB].
 - PARTS TO BE PACKAGED IN TUBE.
 - HEAT SINK MUST BE REMOVED PRIOR TO TERMINATION TO PRINTED CIRCUIT BOARD.
 - SEE QSFPK-PF APPLICATION FOR ADDITIONAL TERMINATION INSTRUCTIONS.



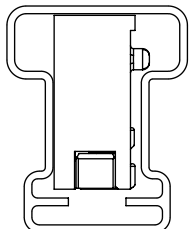
QSFP8-038-01-L-D-RA1



QSFP8-038-01-L-D-RA1

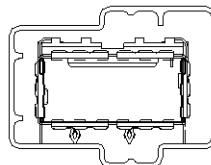
FIG 2
(QSFPK-PF-02 SHOWN)
(SAME AS FIG. 1, EXCEPT AS SHOWN)

PACKAGING VIEW FOR CONNECTOR
(SEE NOTE 3)



TUBE: PT-1-24-02-44
PLUG: TP-03

PACKAGING VIEW FOR CAGE
(SEE NOTE 3)



TUBE: PT-RPB1001
PLUG: TP-04

PROPRIETARY NOTE

THIS DOCUMENT CONTAINS INFORMATION CONFIDENTIAL AND PROPRIETARY TO SAMTEC, INC. AND SHALL NOT BE REPRODUCED OR TRANSFERRED TO OTHER DOCUMENTS OR DISCLOSED TO OTHERS OR USED FOR ANY PURPOSE OTHER THAN THAT WHICH IT WAS OBTAINED WITHOUT THE EXPRESSED WRITTEN CONSENT OF SAMTEC, INC.

DO NOT SCALE DRAWING

SHEET SCALE: 1.5:1



520 PARK EAST BLVD, NEW ALBANY, IN 47150
PHONE: 812-944-6733 FAX: 812-948-5047
e-Mail info@SAMTEC.com code 55322

DESCRIPTION:

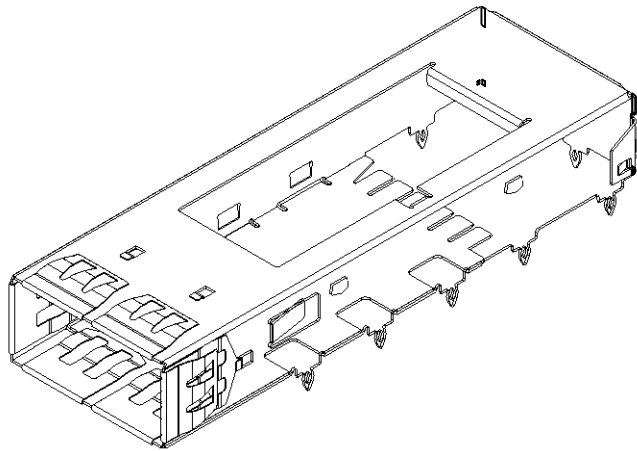
QSFP ASM

DWG. NO.

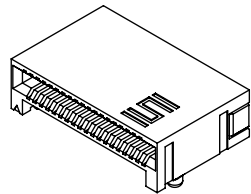
QSFPK-PF-XX

BY: ROY LUO 7/5/2010

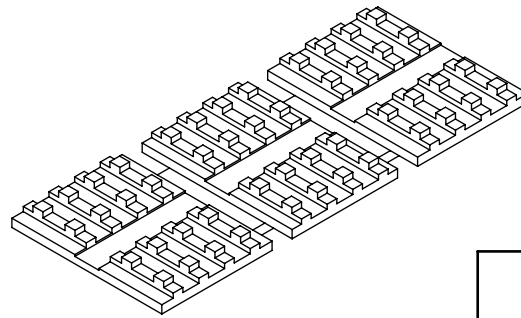
SHEET 2 OF 3



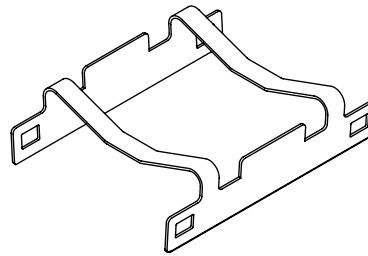
QSFP8-038-01-L-D-RA1



QSFP8-038-01-L-D-RA1



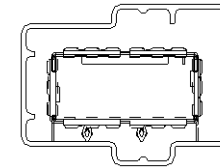
HS-100-01



SH58-01

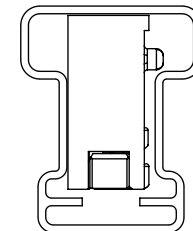
FIG 3
(QSFPK-PF-03 SHOWN)
(SAME AS FIG. 1, EXCEPT AS SHOWN)

PACKAGING VIEW FOR CAGE
(SEE NOTE 3)



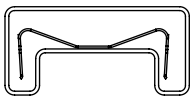
TUBE: PT-RPB1001
PLUG: TP-04

PACKAGING VIEW FOR CONNECTOR
(SEE NOTE 3)



TUBE: PT-1-24-02-44
PLUG: TP-03

PACKAGING VIEW FOR SHIELD
(SEE NOTE 3)



TUBE: PT-1-24-01-34
PLUG: TP-07

PACKAGING VIEW FOR HEAT SINK
(SEE NOTE 3)



TUBE: PT-1-24-14-29
PLUG: TP-03

PROPRIETARY NOTE
THIS DOCUMENT CONTAINS INFORMATION CONFIDENTIAL AND PROPRIETARY TO SAMTEC, INC. AND SHALL NOT BE REPRODUCED OR TRANSFERRED TO OTHER DOCUMENTS OR DISCLOSED TO OTHERS OR USED FOR ANY PURPOSE OTHER THAN THAT WHICH IT WAS OBTAINED WITHOUT THE EXPRESSED WRITTEN CONSENT OF SAMTEC, INC.

DO NOT SCALE DRAWING

SHEET SCALE: 1.5:1



520 PARK EAST BLVD, NEW ALBANY, IN 47150
PHONE: 812-944-6733 FAX: 812-948-5047
e-Mail: info@SAMTEC.com code 55322

DESCRIPTION:	QSFP ASM
DWG. NO.	QSFPK-PF-XX
BY: ROY LUO	7/5/2010
SHEET 3 OF 3	