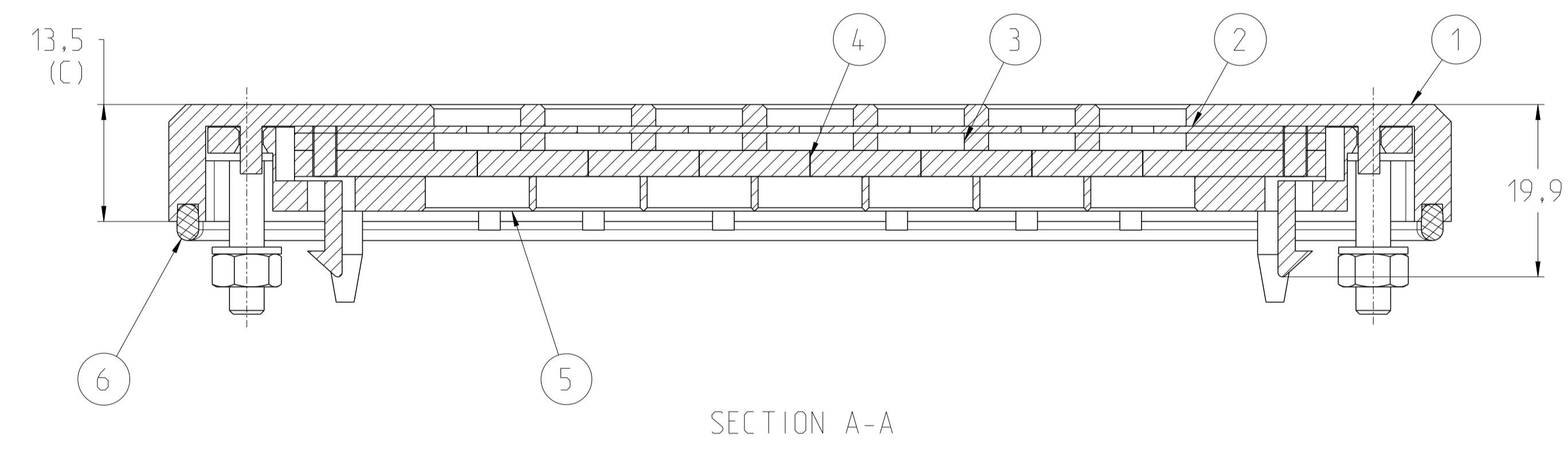
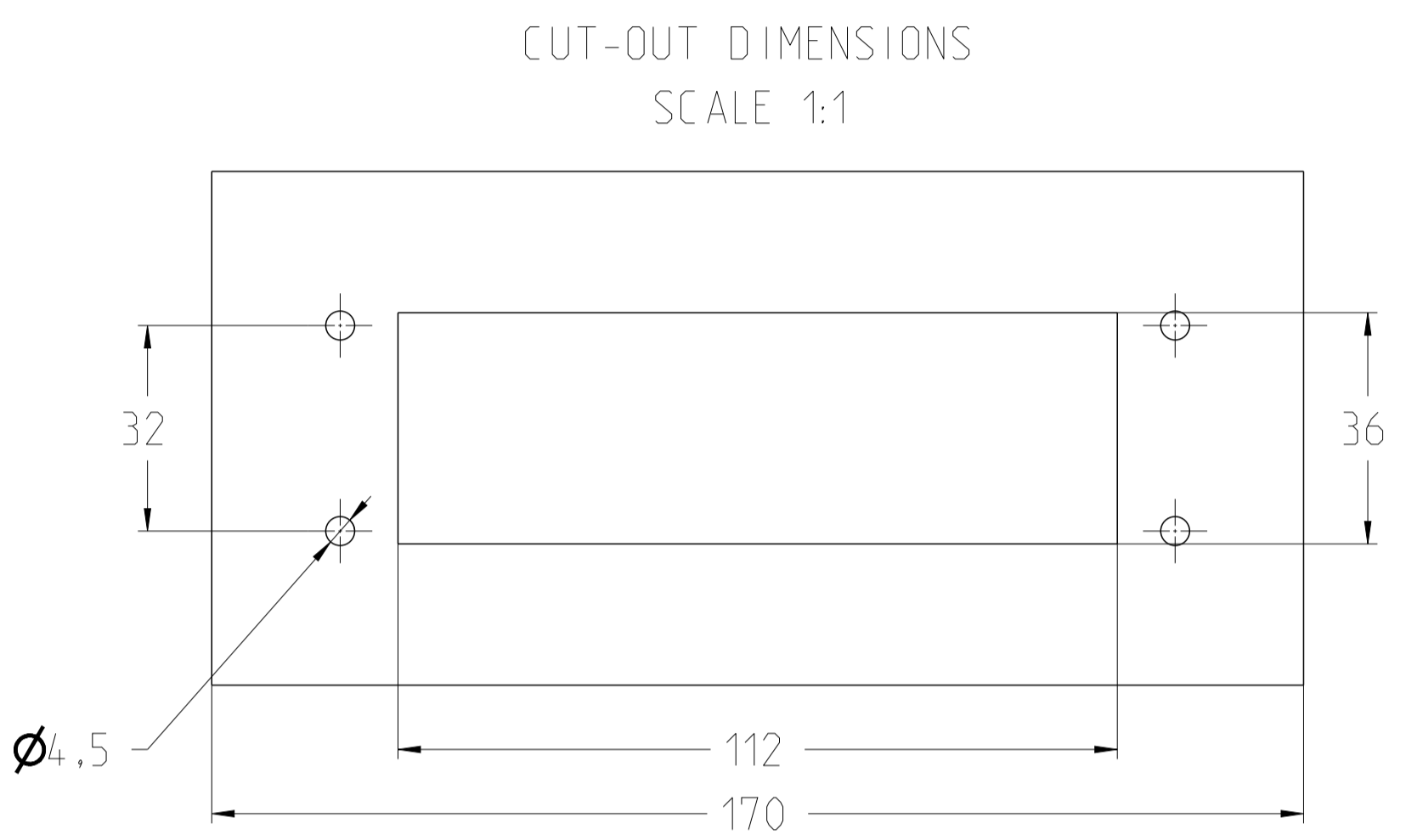
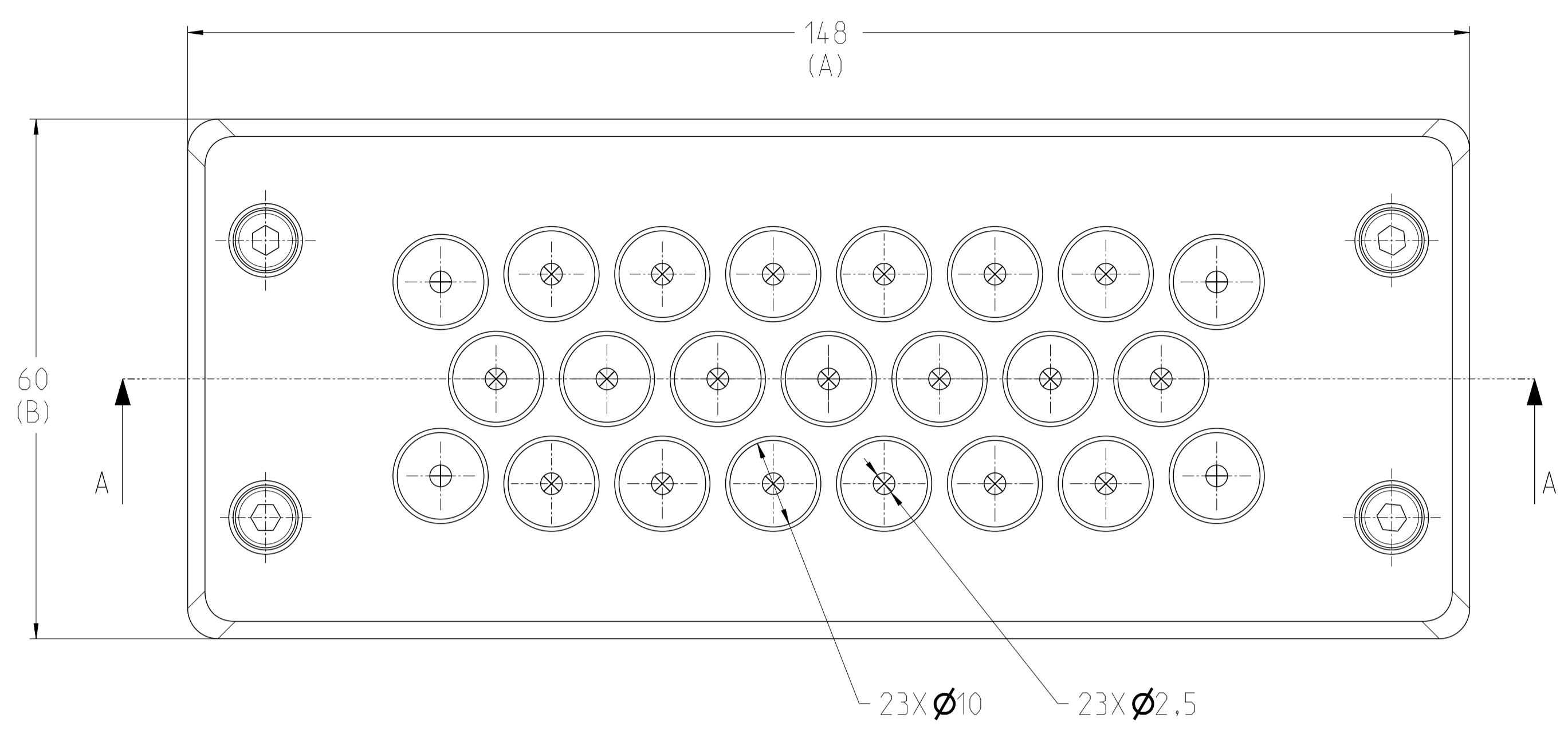
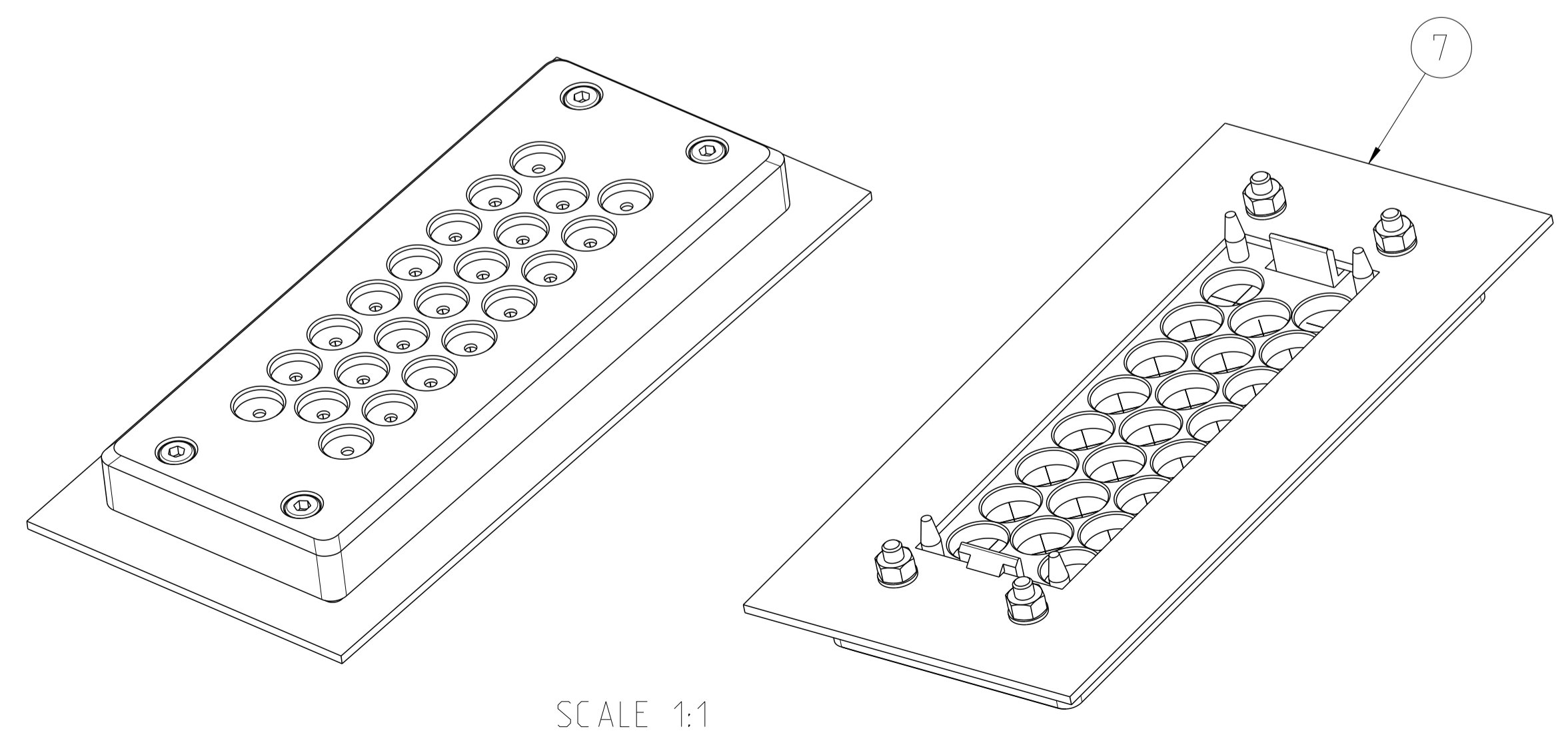


REVISIONS				
P	LTN	DESCRIPTION	DATE	APVD
A		INITIAL REVISION	15FEB2022	KR RM



TE CONNECTIVITY OBTURATED CABLE ENTRY PLATE PROPERTIES BRM 23 WAYS	
PROPERTY	SPECIFICATION
CLAMPING RANGE	$\phi$ 4mm to $\phi$ 8.5mm
CABLE ENTRIES	23ways/Single hole per way
NON USED WAYS	Automatically Obturated
ENCLOSURE WALL THICKNESS	(1 mm to 1.5 mm)
ENTRY PLATE FIXATION	Snap - Fit or 4 pcs M4x20mm screws

TCPN	TE Product Type (Entretec)	RAL NUMBER	COLOR	Width A	Height B	Depth C
1SNG603009R0000	EP-BRM-SZ23-LGR-A	7035	L.Grey	148	60	13.5
1SNG603010R0000	EP-BRM-SZ23-BL-A	9005	Black	148	60	13.5



SCALE 1:1

7	1	ENCLOSURE	-	GENERIC	-
6	1	FRAME SEALING	-	POLYURETHANE OR SILICONE	-
5	1	BACK FRAME	-	PA 6 +(GF)	-
4	1	SEAL GEL	-	POLYURETHANE	-
3	1	RUBBER SPACER	-	CR RUBBER	-
2	1	SEALING MEMBRAN	-	BUTYL (IIR) RUBBER	-
1	1	FRONT FRAME	-	PA 6 +(GF)	-
RPT	QTY	DOC TITLE	DRAWING NUMBER	MATERIAL	COMMENTS
THIS DRAWING IS A CONTROLLED DOCUMENT.		OWN: Rajan, Kasli	15FEB2022		
DIMENSIONS:		CHK: Rafeeq, Mohd	15FEB2022		
mm		APVD: Rafeeq, Mohd	15FEB2022		
TOLERANCES UNLESS OTHERWISE SPECIFIED:					
0 PLC	±				
1 PLC	±				
2 PLC	±				
3 PLC	±				
4 PLC	±				
ANGLES	±				
FINISH					
MATERIAL REF. TABLE	-	WEIGHT	-		
CUSTOMER DRAWING		DRAWING NO		RESTRICTED TO	
		A   00779		©=1SNP061314-0100	
		SCALE 5:1		SHEET 1 OF 1 REV A	