

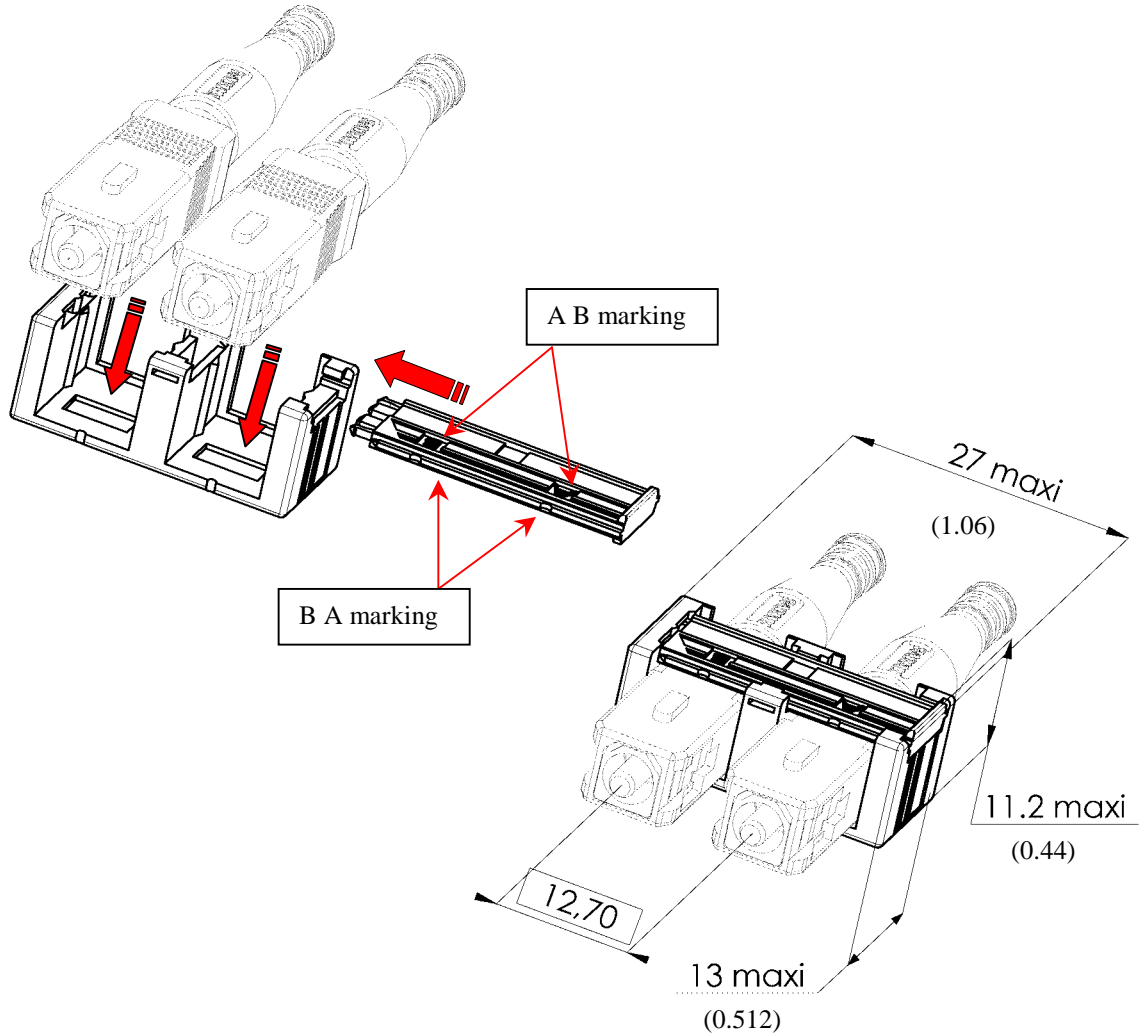
Title : SC DUPLEX BRACE BLUE COLOR  
 QUANTITY: 100

Series  
 F 718

Issue  
 31 03 99

Page  
 1/1

Dimension : mm (inch)  
 1 inch = 25.4 mm



GENERAL

**USE:** Clipsable cover, reversible (allowing the marking A – B or B – A )

**MECHANICAL:** Impact test (according to Bellcore GR 326 core) 10 times  
 Endurance of the cover : 10 times

**MATERIAL:** Plastic  
 Fireproofing V0 (UL 94)  
 Blue color

**MARKING:** “R” RADIALL

<b>CREATION</b>				<b>RADIALL</b> 101, rue P. Hoffmann 93116 ROSNY/BOIS FRANCE Tel : (33) 0149353535 Fax : (33) 0148546363
N° EPF 97 51				
PEN/EP : CAT				
Name CAUSSE				
Date 31 03 99				
Appr.	Issue	Revisions	Name Appr.	