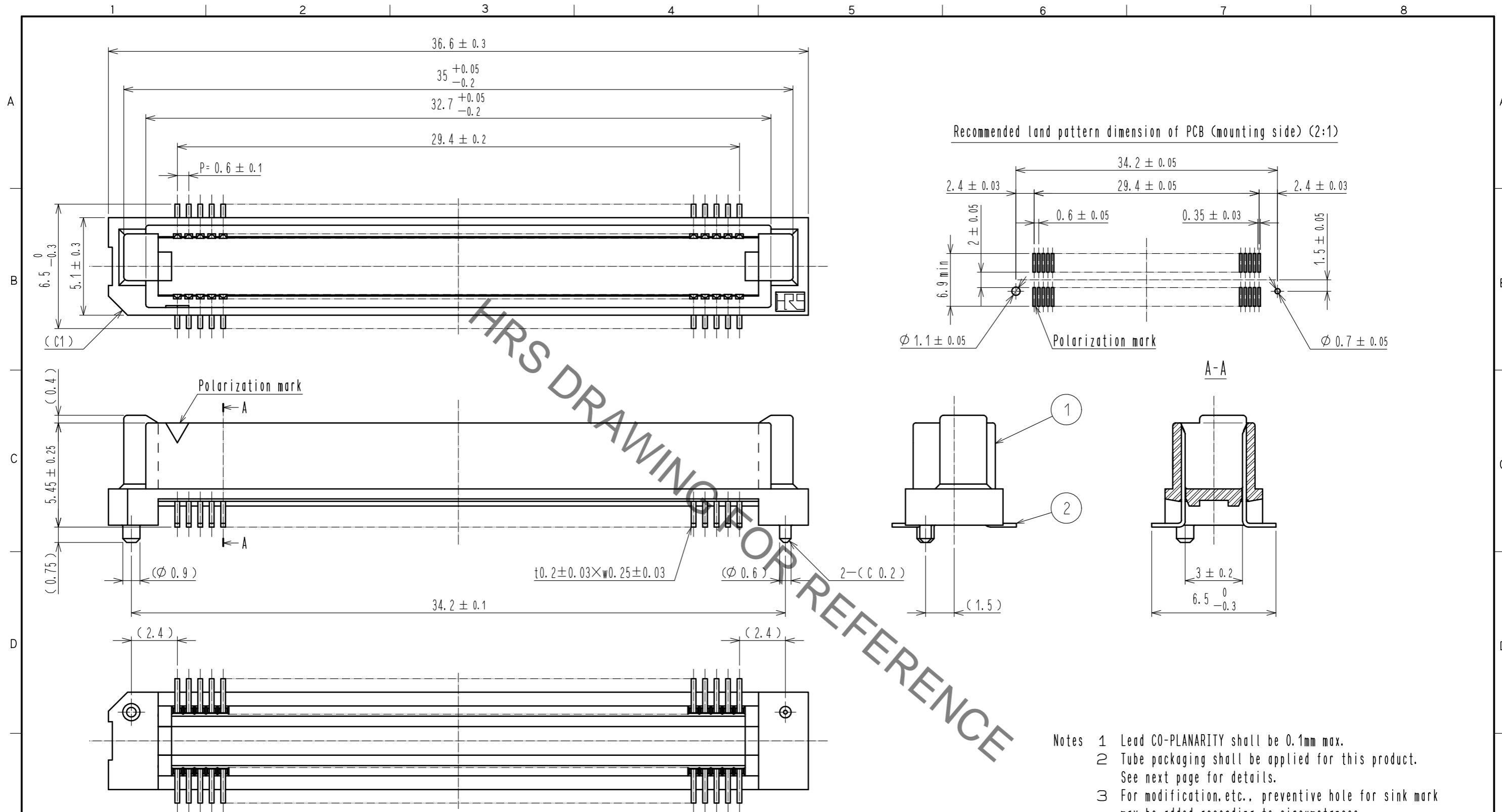


Apr.1.2023 Copyright 2023 HIROSE ELECTRIC CO., LTD. All Rights Reserved.  
In case of consideration for using Automotive equipment / device which demand high reliability, kindly contact our sales window correspondents.



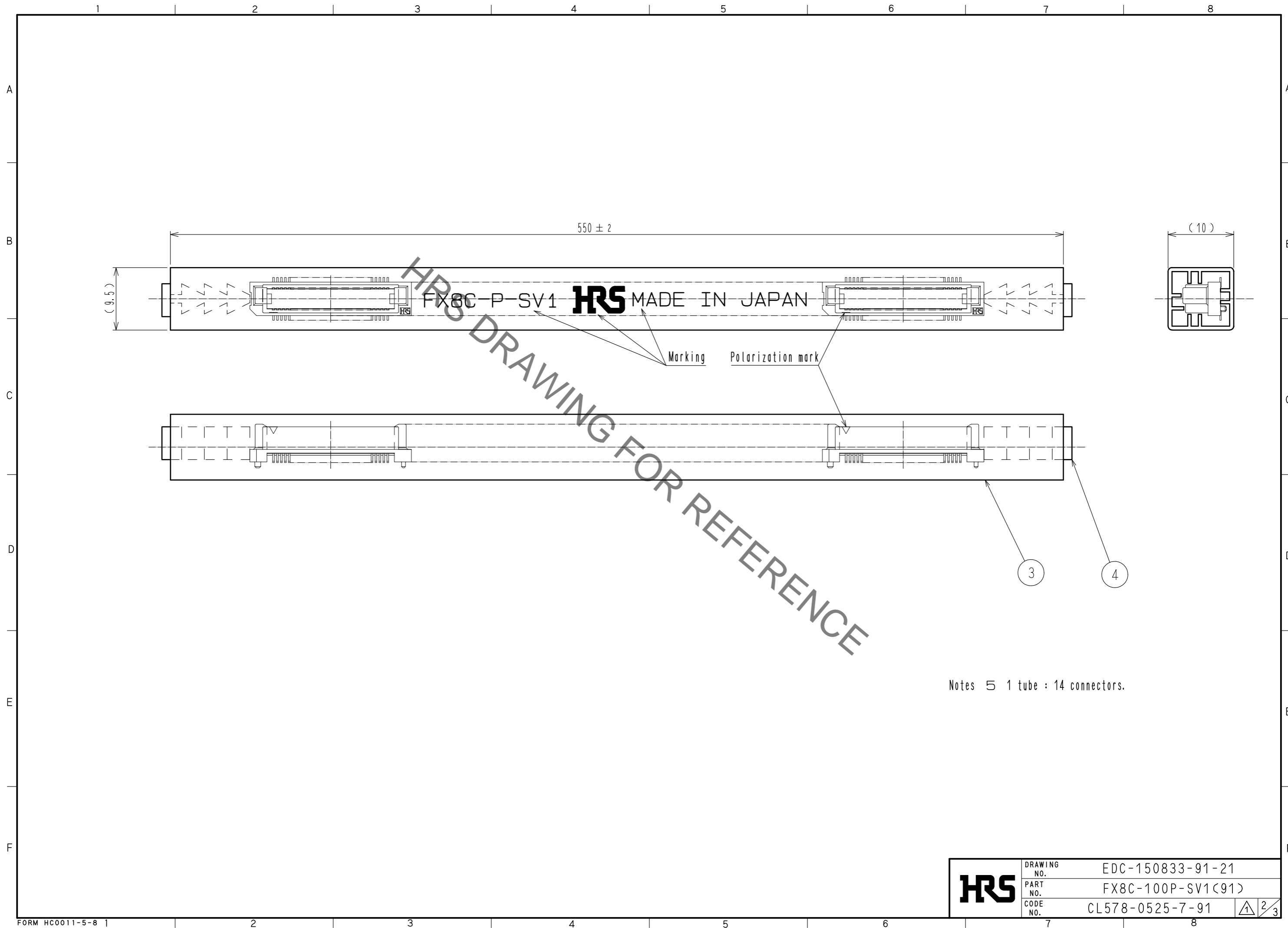
HRS DRAWING TOP REFERENCE

- Notes
- 1 Lead CO-PLANARITY shall be 0.1mm max.
  - 2 Tube packaging shall be applied for this product. See next page for details.
  - 3 For modification, etc., preventive hole for sink mark may be added according to circumstances.
  - 4 The dimensions in parentheses are for reference.

2	PHOSPHOR BRONZE	Contact area : Gold 0.1 $\mu$ m min. Lead area : Tin-plating 1 $\mu$ m min. Under plating : Nickel 1 $\mu$ m min.	4	POLYVINYL CHLORIDE	(Stopper)		
1	PPS	Light brown (UL94V-0)	3	POLYVINYL CHLORIDE	(Tube)		
NO.	MATERIAL	FINISH . REMARKS	NO.	MATERIAL	FINISH . REMARKS		
UNITS mm		SCALE 5 : 1	COUNT 1	DESCRIPTION OF REVISIONS DIS-F-00006414	DESIGNED KS. NAKAJIMA	CHECKED HT. YAMAGUCHI	DATE 20200803
<b>HRS</b> HIROSE ELECTRIC CO., LTD.		APPROVED : HS. OKAWA 20051216	DRAWING NO. EDC-150833-91-21				
		CHECKED : HS. OZAWA 20051216	PART NO. FX8C-100P-SV1(91)				
		DESIGNED : KY. NAKAMURA 20051216	CODE NO. CL578-0525-7-91				
		DRAWN : SY. KAMIGA 20051108					

Added precaution

Apr.1.2023 Copyright 2023 HIROSE ELECTRIC CO., LTD. All Rights Reserved.  
In case of consideration for using Automotive equipment / device which demand high reliability, kindly contact our sales window correspondents.



Notes 5 1 tube : 14 connectors.

<b>HRS</b>	DRAWING NO.	EDC-150833-91-21
	PART NO.	FX8C-100P-SV1(91)
	CODE NO.	CL578-0525-7-91

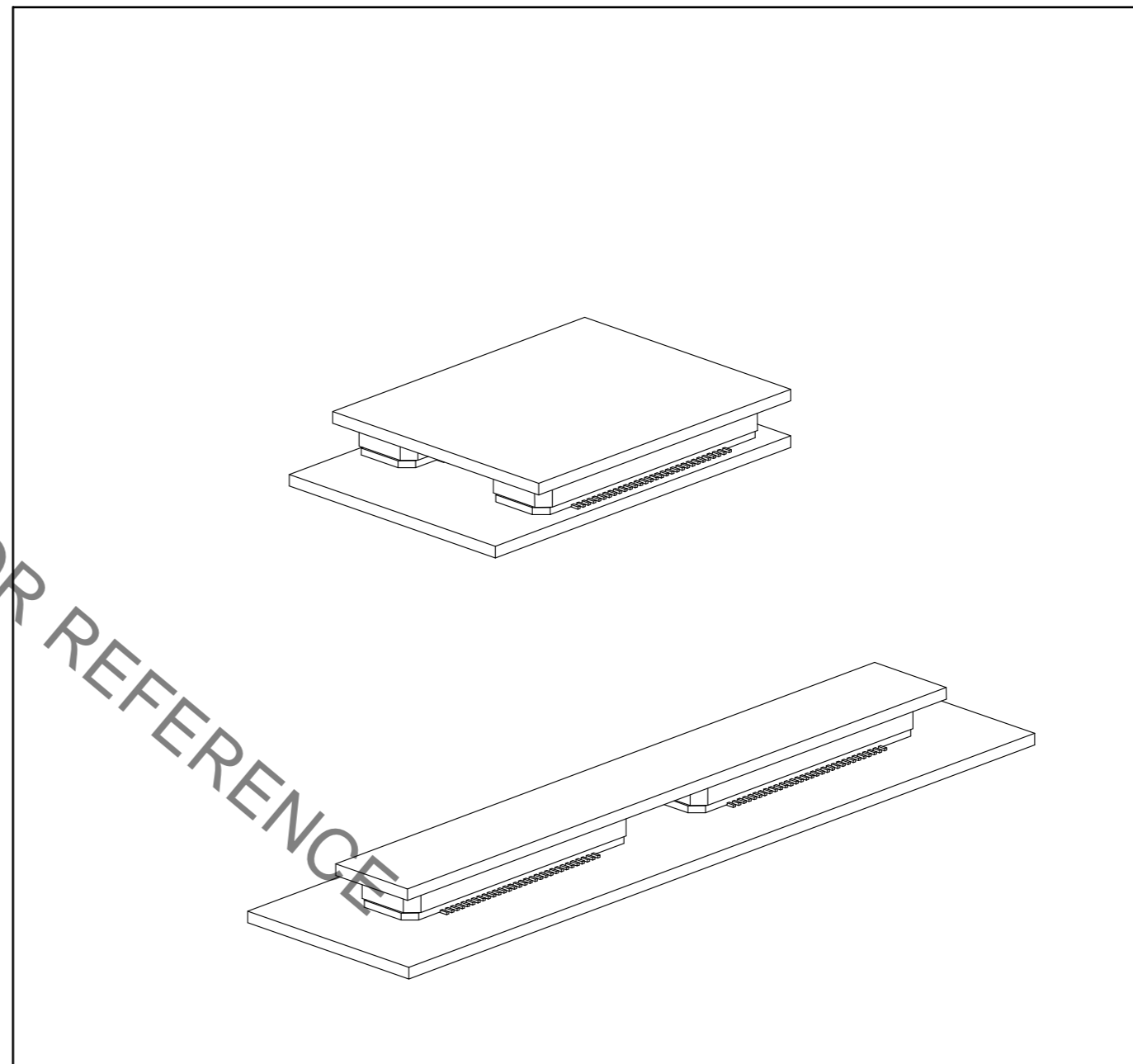
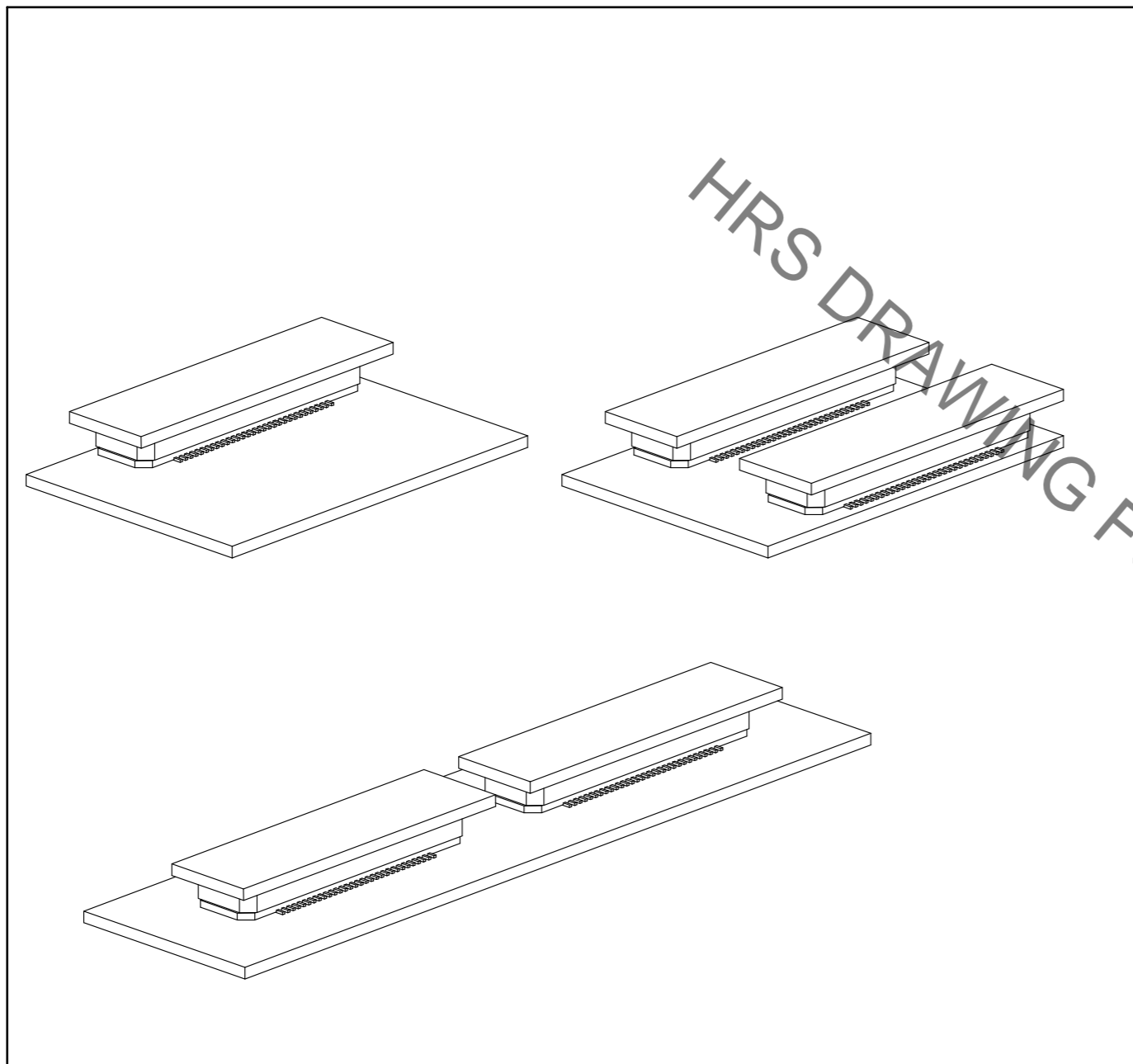
Apr.1.2023 Copyright 2023 HIROSE ELECTRIC CO., LTD. All Rights Reserved.  
In case of consideration for using Automotive equipment / device which demand high reliability, kindly contact our sales window correspondents.

【 Precaution 】

When a board with multiple connectors mounted is mated, the connector may be damaged or deformed.  
Please divide one side of the board so only one connector is mated per board.

OK

NG



HRS DRAWING FOR REFERENCE

<b>HRS</b>	DRAWING NO.	EDC-150833-91-21
	PART NO.	FX8C-100P-SV1(91)
	CODE NO.	CL578-0525-7-91
		3/3