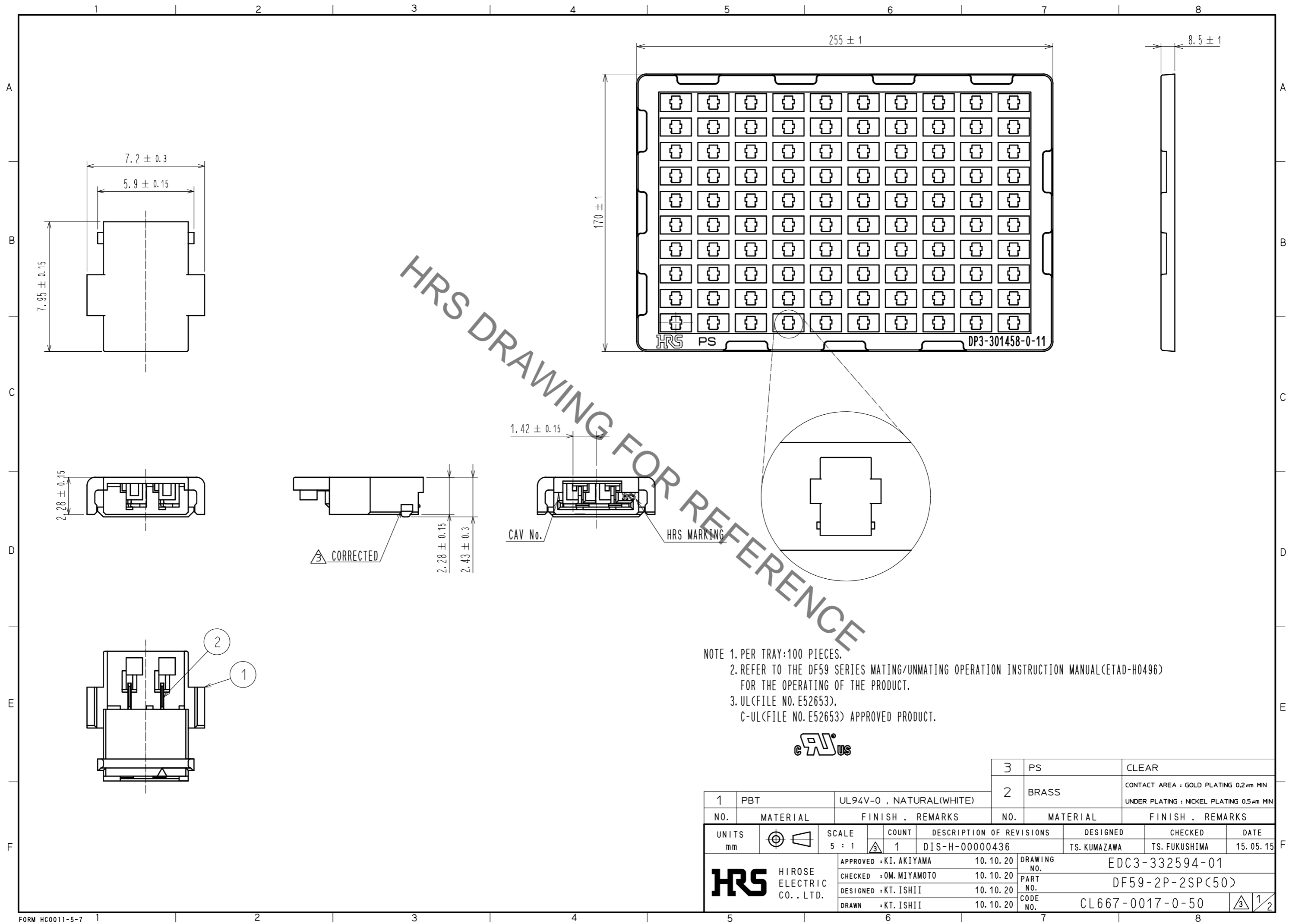


May.1.2023 Copyright 2023 HIROSE ELECTRIC CO., LTD. All Rights Reserved.  
In case of consideration for using Automotive equipment / device which demand high reliability, kindly contact our sales window correspondents.



- NOTE 1. PER TRAY:100 PIECES.  
 2. REFER TO THE DF59 SERIES MATING/UNMATING OPERATION INSTRUCTION MANUAL(ETAD-H0496) FOR THE OPERATING OF THE PRODUCT.  
 3. UL(FILE NO. E52653).  
 C-UL(FILE NO. E52653) APPROVED PRODUCT.



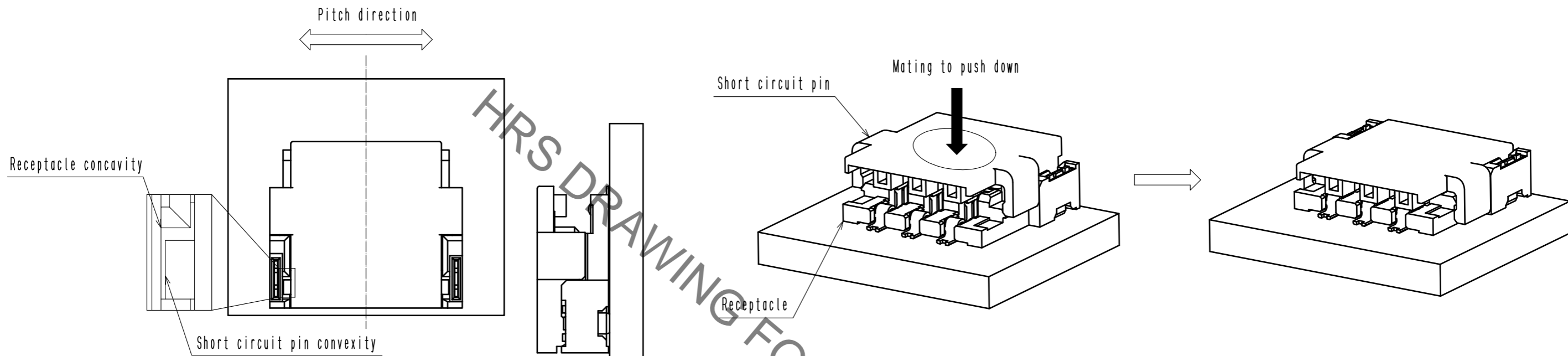
1	PBT	UL94V-0 , NATURAL(WHITE)	3	PS	CLEAR		
			2	BRASS	CONTACT AREA : GOLD PLATING 0.2μm MIN UNDER PLATING : NICKEL PLATING 0.5μm MIN		
NO.	MATERIAL	FINISH . REMARKS	NO.	MATERIAL	FINISH . REMARKS		
UNITS mm		SCALE 5 : 1	COUNT 1	DESCRIPTION OF REVISIONS DIS-H-00000436	DESIGNED TS. KUMAZAWA	CHECKED TS. FUKUSHIMA	DATE 15.05.15
<b>HRS</b> HIROSE ELECTRIC CO., LTD.		APPROVED : KI. AKIYAMA 10.10.20	DRAWING NO. EDC3-332594-01				
		CHECKED : OM. MIYAMOTO 10.10.20	PART NO. DF59-2P-2SP(50)				
		DESIGNED : KT. ISHII 10.10.20	CODE NO. CL667-0017-0-50				
		DRAWN : KT. ISHII 10.10.20					

# Operation Procedures for Crimp Socket

## 【 Mating 】

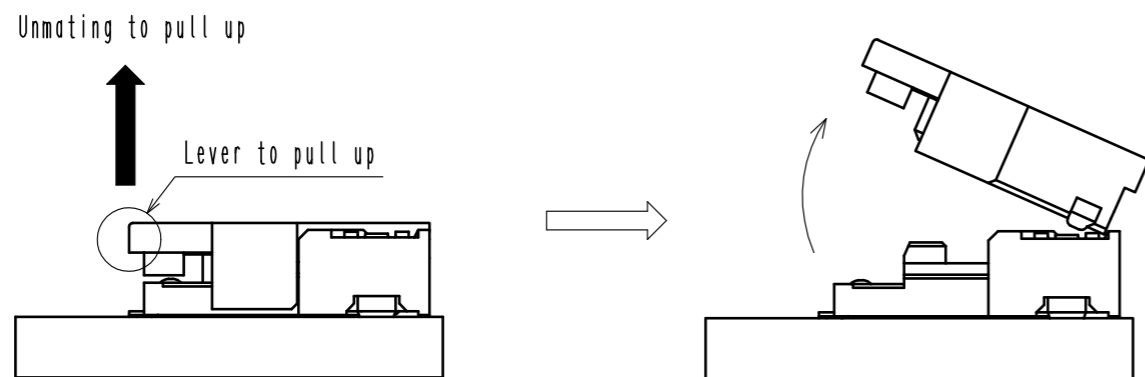
1. By positioning the convexity of the short circuit pin sides to the receptacle concavity, align the centers of the short circuit pin and the receptacle in pitch direction.

2. Press down at the center surface of short circuit pin.  
 Note>Press down until the short circuit pin touches to the receptacle.



## 【 Unmating 】

1. Hook the lever with finger and lift up to the upper direction for unlock.



HRS DRAWING FOR REFERENCE

<b>HRS</b>	図番:	EDC3-332594-01	3/2
	製品名:	DF59-2P-2SP(50)	
	製品コード:	CL667-0017-0-50	

May.1.2023 Copyright 2023 HIROSE ELECTRIC CO., LTD. All Rights Reserved. In case of consideration for using Automotive equipment / device which demand high reliability, kindly contact our sales window correspondents.