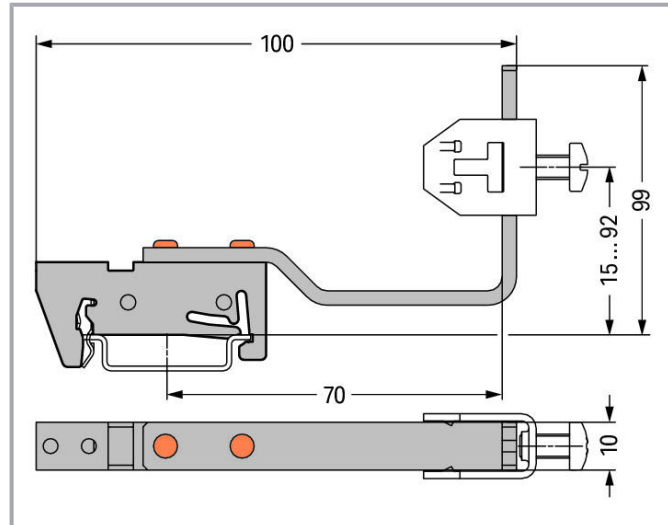


## Data sheet | Item number: 790-352/790-398

Busbar carrier; for busbars Cu 10 mm x 3 mm; flexible; for DIN 35 rail; gray

[www.wago.com/790-352/790-398](http://www.wago.com/790-352/790-398)



### Data

#### Technical data

Main product function

Shield termination

#### Material data

Color	gray
Weight	66.8 g
Material	Coated steel Stainless steel Cu

#### Commercial data

PU (SPU)	12 (6) Stück
----------	--------------

Subject to changes. Please also observe the further product documentation!

WAGO Kontakttechnik GmbH & Co. KG  
Hansastr. 27  
32423 Minden  
Phone: +49571 887-0 | Fax: +49571 887-169  
Email: [info.de@wago.com](mailto:info.de@wago.com) | Web: [www.wago.com](http://www.wago.com)



Do you have any questions about our products?  
We are always happy to take your call at +49 (571) 887-44222.



Packaging type	box
Country of origin	DE
GTIN	4055143363051
Customs tariff number	39269097900

## Optional accessories

### N-busbar

Mounting accessories		
	<b>Item no.: 210-133</b> Busbar; tin-plated; 1000 mm long; Cu 10 mm x 3 mm; white	<a href="http://www.wago.com/210-133">www.wago.com/210-133</a>
	<b>Item no.: 790-134</b> Busbar; tin-plated; 50 mm long; Cu 10 mm x 3 mm	<a href="http://www.wago.com/790-134">www.wago.com/790-134</a>

## Downloads

### Documentation

#### Bid Text

790-352/790-398 doc - Datei	Aug 31, 2017	doc 24.1 kB	Download
790-352/790-398 X81 - Datei	Feb 19, 2019	xml 2.8 kB	Download

## CAD/CAE-Data

### CAE data

ZUKEN Portal 790-352/790-398	URL	Download
------------------------------	-----	----------

### CAD data

2D/3D Models 790-352/790-398	URL	Download
------------------------------	-----	----------

## Environmental Product Compliance

### Compliance Search

Environmental Product Compliance 790-352/790-398 Busbar carrier; for busbars Cu 10 mm x 3 mm; flexible; for DIN 35 rail; gray	URL	Download
--	-----	----------

Subject to changes. Please also observe the further product documentation!

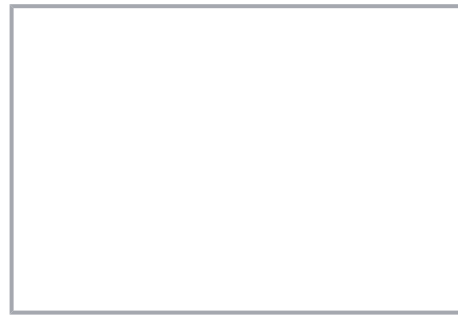
## Installation Notes



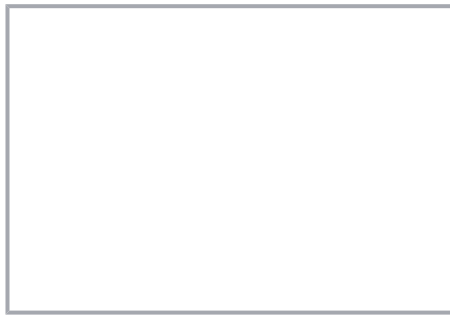
Horizontal mounting position of the busbar



Vertical mounting position of the busbar



The height of the busbar can be adjusted.



Secure the busbar by tightening the screws at the required position.

Subject to changes. Please also observe the further product documentation!