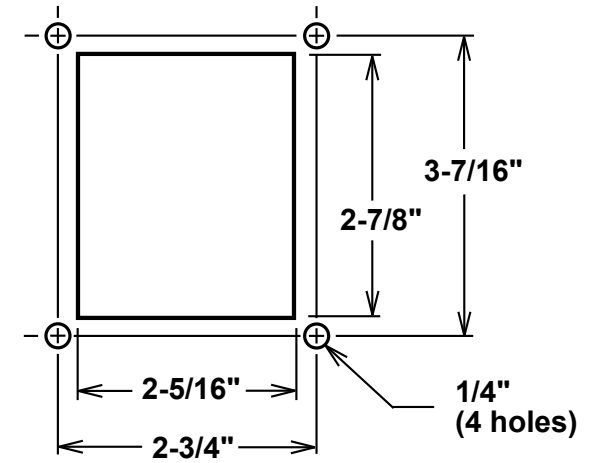
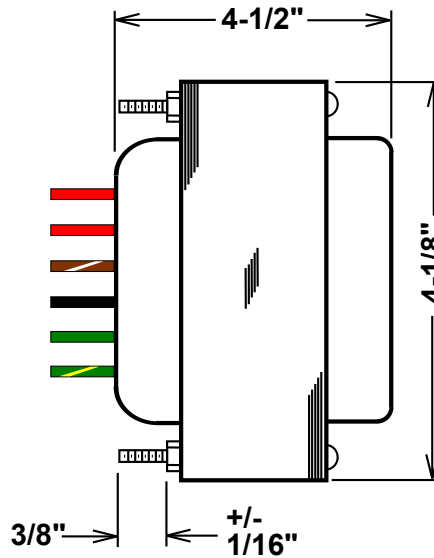
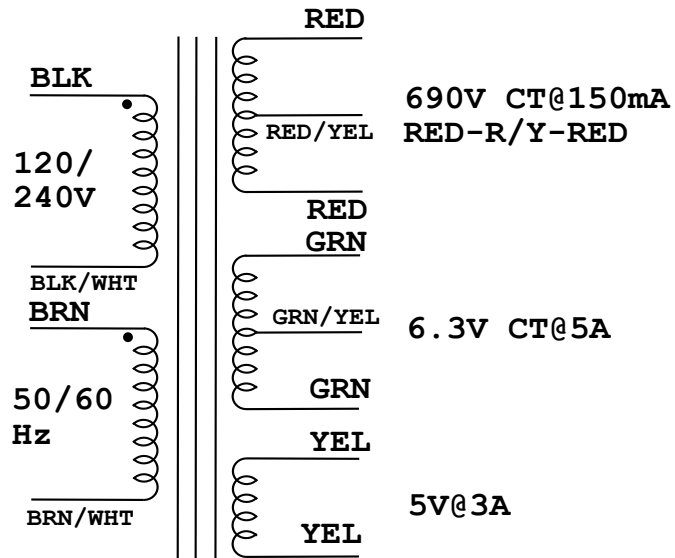


leads are 12" long



recommended cutout:


### Electrical Specifications



**120V:** INPUT TO BLK AND BLK/WHT (CONNECT BLK TO BRN AND BLK/WHT TO BRN/WHT)

**240V:** INPUT TO BLK AND BRN/WHT (CONNECT BLK/WHT TO BRN)

unless otherwise stated, all physical dimensions are in inches

part number:	<b>TR-PW-05</b>	version:	<b>2.0</b>
desc:	<b>Power Transformer, 45/50W</b>		
application:	Power transformer, "laydown" mounting, for Marshall style JTM45/50 amps.		
date:	17 SEP 13		
drawn:	Robert Hull		
sheet:	pg 1 of 1		
		ANALOG IN   TUBEDEPOT.COM	