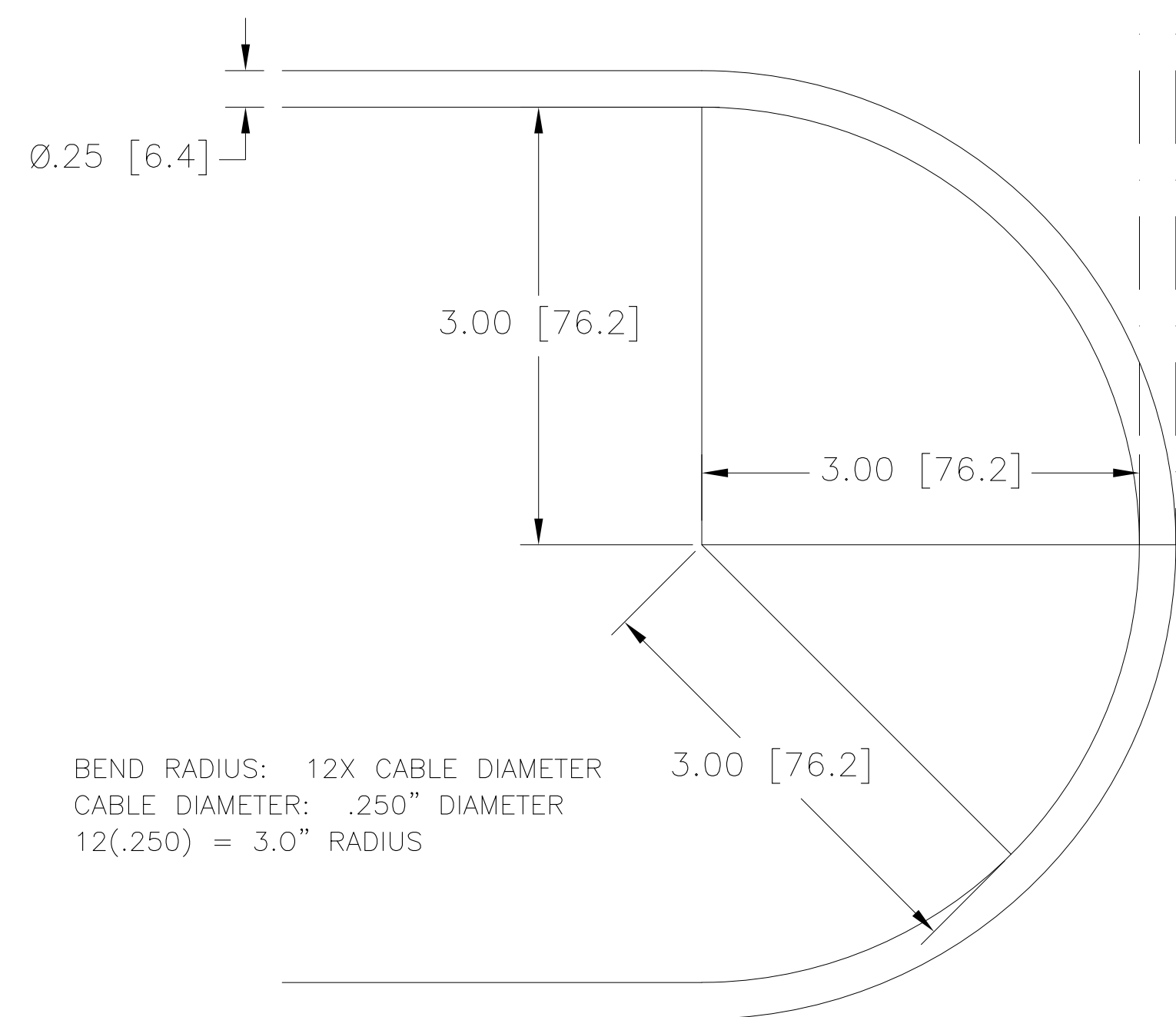
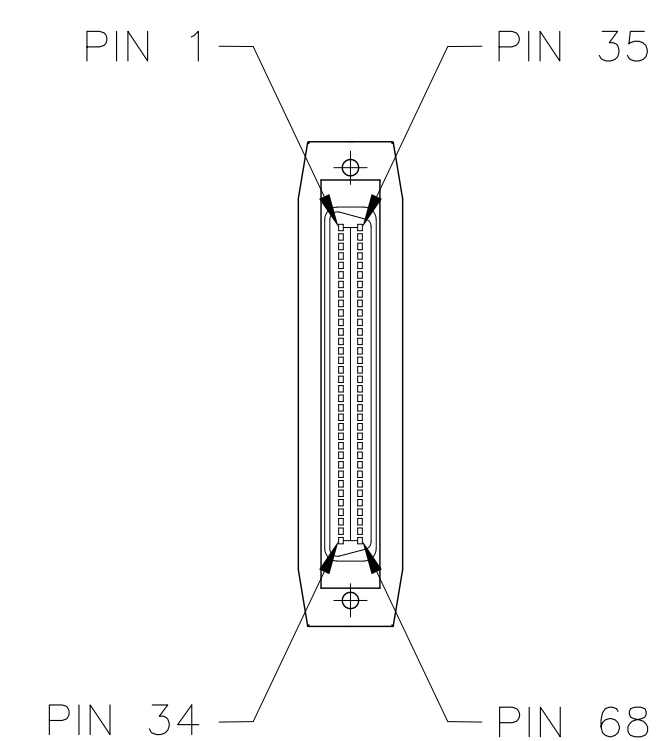
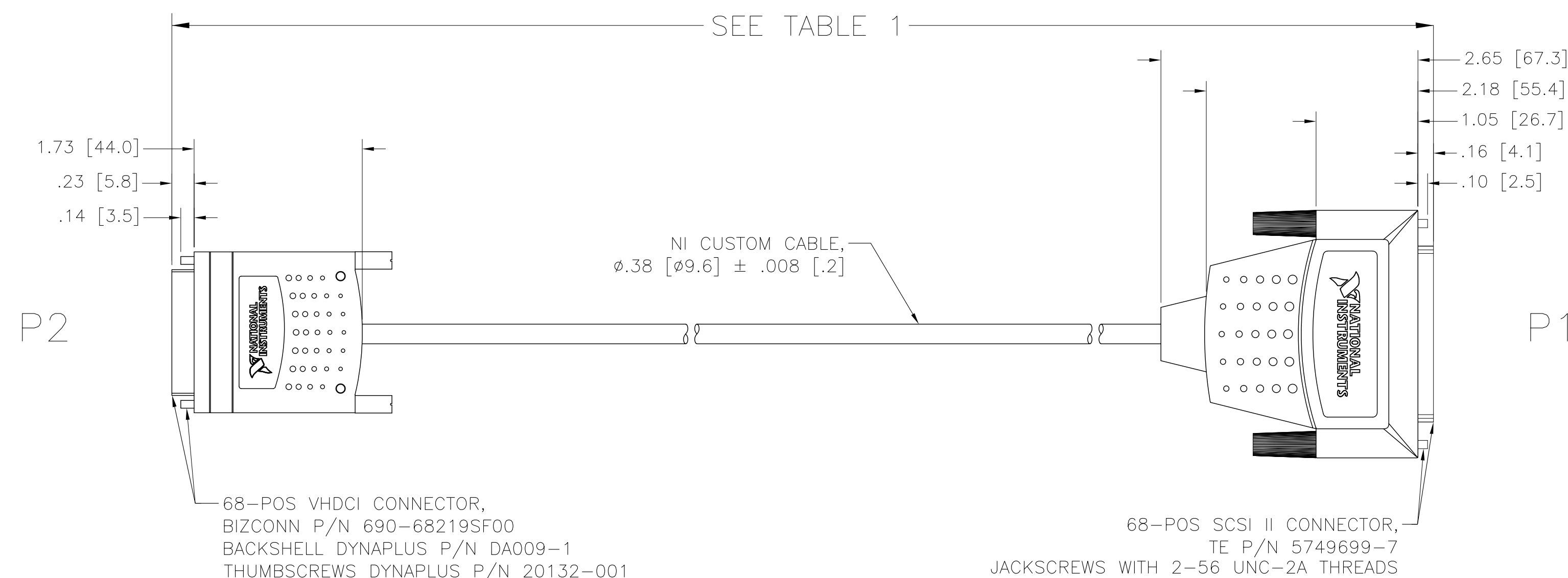
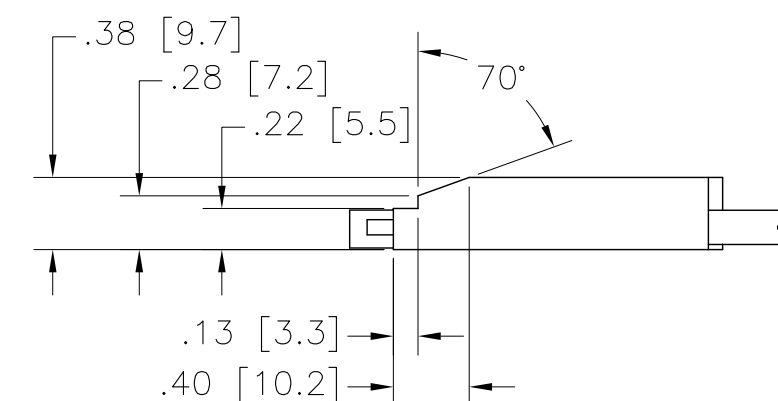
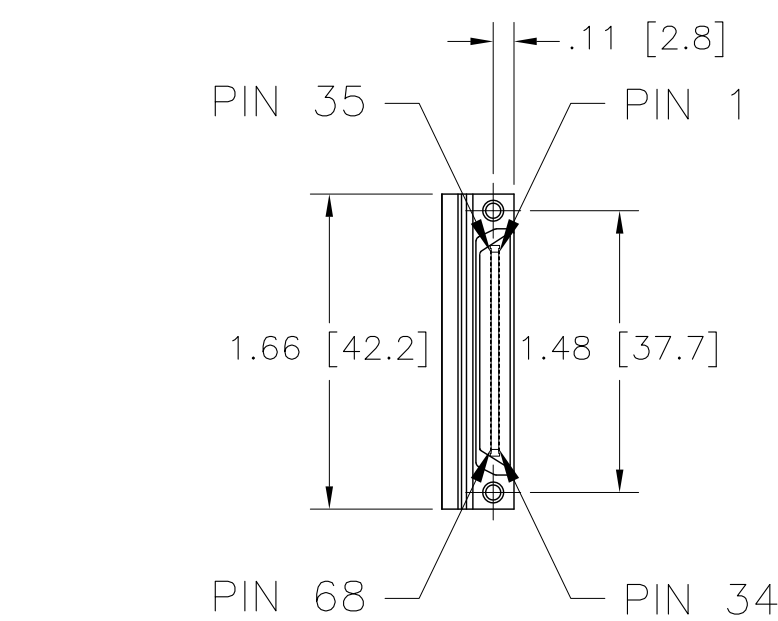


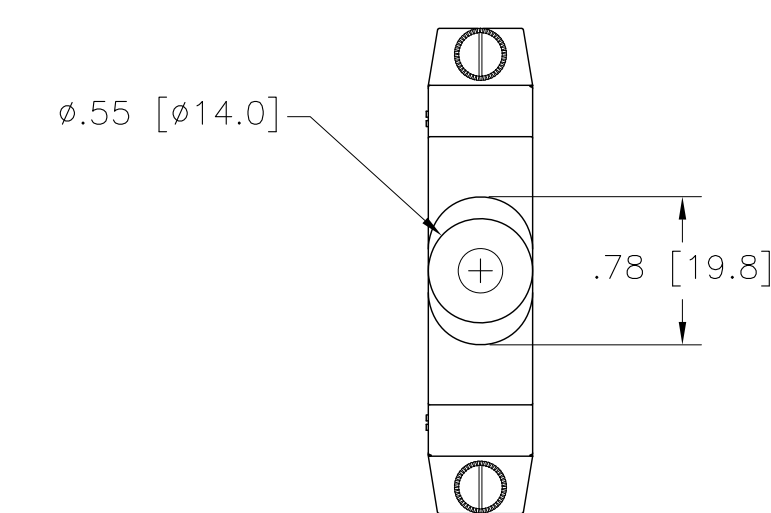
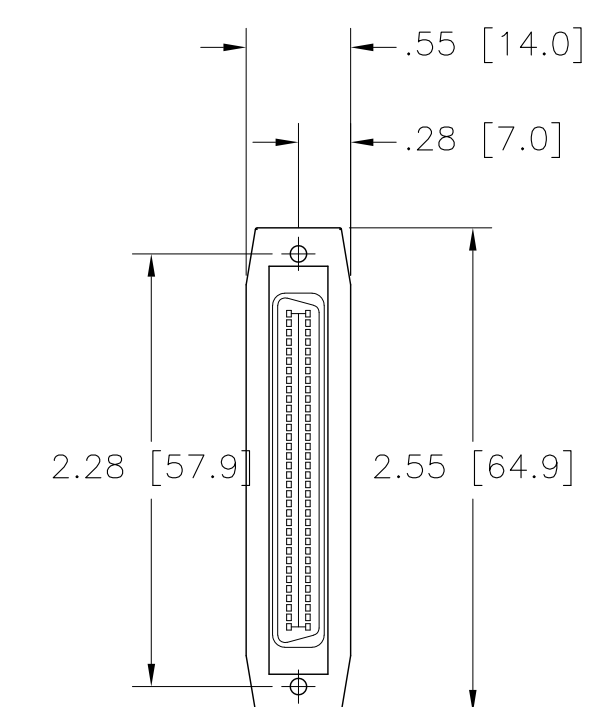
| CUSTOMER DRAWING COMPATIBILITY | | | |
|--------------------------------|------------------------------|------|----------|
| REV | DESCRIPTION | DATE | APPROVED |
| A | DRAWING COMPATIBLE, OBSOLETE | | |
| B | DRAWING COMPATIBLE, OBSOLETE | | |
| C | DRAWING COMPATIBLE, OBSOLETE | | |
| D | DRAWING COMPATIBLE, RELEASED | | |



BEND RADIUS EXAMPLE

| WIRE LIST | | | |
|-----------|----|--|----|
| PAIR | P1 | MAIN COLOR/RING COLOR MAIN COLOR/LINE COLOR | P2 |
| 1 | 1 | BLACK | 1 |
| | 35 | BLACK/WHITE | 35 |
| 2 | 2 | BROWN | 2 |
| | 36 | BROWN/WHITE | 36 |
| 3 | 3 | RED | 3 |
| | 37 | RED/WHITE | 37 |
| 4 | 4 | ORANGE | 4 |
| | 38 | ORANGE/WHITE | 38 |
| 5 | 5 | YELLOW | 5 |
| | 39 | YELLOW/WHITE | 39 |
| 6 | 6 | GREEN | 6 |
| | 40 | GREEN/WHITE | 40 |
| 7 | 7 | BLUE | 7 |
| | 41 | BLUE/WHITE | 41 |
| 8 | 8 | PURPLE | 8 |
| | 42 | PURPLE/WHITE | 42 |
| 9 | 9 | GRAY | 9 |
| | 43 | GRAY/BROWN | 43 |
| 10 | 10 | BROWN/BLACK | 10 |
| | 44 | BLACK/YELLOW | 44 |
| 11 | 11 | RED/BLACK | 11 |
| | 45 | RED/YELLOW | 45 |
| 12 | 12 | ORANGE/BLACK | 12 |
| | 46 | ORANGE/YELLOW | 46 |
| 13 | 13 | YELLOW/BLACK | 13 |
| | 47 | BROWN/YELLOW | 47 |
| 14 | 14 | GREEN/BLACK | 14 |
| | 48 | GREEN/YELLOW | 48 |
| 15 | 15 | BLUE/BLACK | 15 |
| | 49 | BLUE/YELLOW | 49 |
| 16 | 16 | PURPLE/BLACK | 16 |
| | 50 | PURPLE/YELLOW | 50 |
| 17 | 17 | GRAY/BLACK | 17 |
| | 51 | GRAY/YELLOW | 51 |

| WIRE LIST (CONT.) | | | |
|-------------------|-------|--|-------|
| PAIR | P1 | MAIN COLOR/RING COLOR MAIN COLOR/LINE COLOR | P2 |
| 18 | 18 | WHITE/BLACK | 18 |
| | 52 | WHITE/YELLOW | 52 |
| 19 | 19 | BLACK/RED | 19 |
| | 53 | BLACK/BLUE | 53 |
| 20 | 20 | BROWN/RED | 20 |
| | 54 | BROWN/BLUE | 54 |
| 21 | 21 | ORANGE/RED | 21 |
| | 55 | RED/BLUE | 55 |
| 22 | 22 | YELLOW/RED | 22 |
| | 56 | YELLOW/BLUE | 56 |
| 23 | 23 | GREEN/RED | 23 |
| | 57 | GREEN/BLUE | 57 |
| 24 | 24 | BLUE/RED | 24 |
| | 58 | ORANGE/BLUE | 58 |
| 25 | 25 | PURPLE/RED | 25 |
| | 59 | PURPLE/BLUE | 59 |
| 26 | 26 | GRAY/RED | 26 |
| | 60 | GRAY/BLUE | 60 |
| 27 | 27 | WHITE/RED | 27 |
| | 61 | WHITE/BLUE | 61 |
| 28 | 28 | BLACK/BROWN | 28 |
| | 62 | BLACK/GREEN | 62 |
| 29 | 29 | YELLOW/BROWN | 29 |
| | 63 | BROWN/GREEN | 63 |
| 30 | 30 | RED/BROWN | 30 |
| | 64 | RED/GREEN | 64 |
| 31 | 31 | ORANGE/BROWN | 31 |
| | 65 | ORANGE/GREEN | 65 |
| 32 | 32 | GREEN/BROWN | 32 |
| | 66 | YELLOW/GREEN | 66 |
| 33 | 33 | BLUE/BROWN | 33 |
| | 67 | BLUE/GREEN | 67 |
| 34 | 34 | PURPLE/BROWN | 34 |
| | 68 | PURPLE/GREEN | 68 |
| SHIELD | SHELL | OUTER SHIELD | SHELL |



| TABLE 1 | |
|---------|--------------|
| LENGTH | TOLERANCE |
| <2M | +5 CM/-0 CM |
| 2 TO 5M | +10 CM/-0 CM |
| >5M | +15 CM/-0 CM |

CONDUCTOR SPECIFICATIONS

CONDUCTOR: 30AWG 7/38 TIN PLATED COPPER, .012 INCH DIAMETER
INSULATION: .0065 INCHES OF POLYPROPYLENE, .025 INCH DIAMETER
BEND RADIUS: 12X CABLE DIAMETER (SEE EXAMPLE) PER SPECIFICATIONS
2014 NEC SECTION 300.34 CONDUCTOR BEND RADIUS
2014 NEC SECTION 300.24 BENDING RADIUS

1. REFER TO PRODUCT MANUAL ON NI.COM FOR MORE DETAILS.
NOTES: UNLESS OTHERWISE SPECIFIED.

CUSTOMER DRAWING

| | | |
|---|-------------------|-------------|
| UNLESS OTHERWISE SPECIFIED DIMENSIONS ARE IN INCHES AND [MILLIMETERS] | | |
| | AUSTIN, TEXAS | |
| DO NOT SCALE DRAWING THIRD ANGLE PROJECTION | TITLE SHC68-68 | |
| | SIZE | DRAWING NO. |
| | D 7U296 | 10/04/16 |
| SCALE: 1/1 | SHEET 1 OF 1 | |