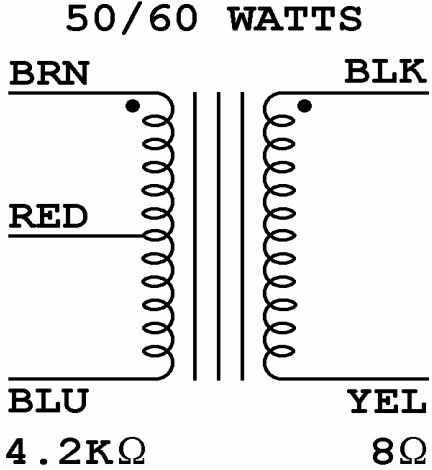
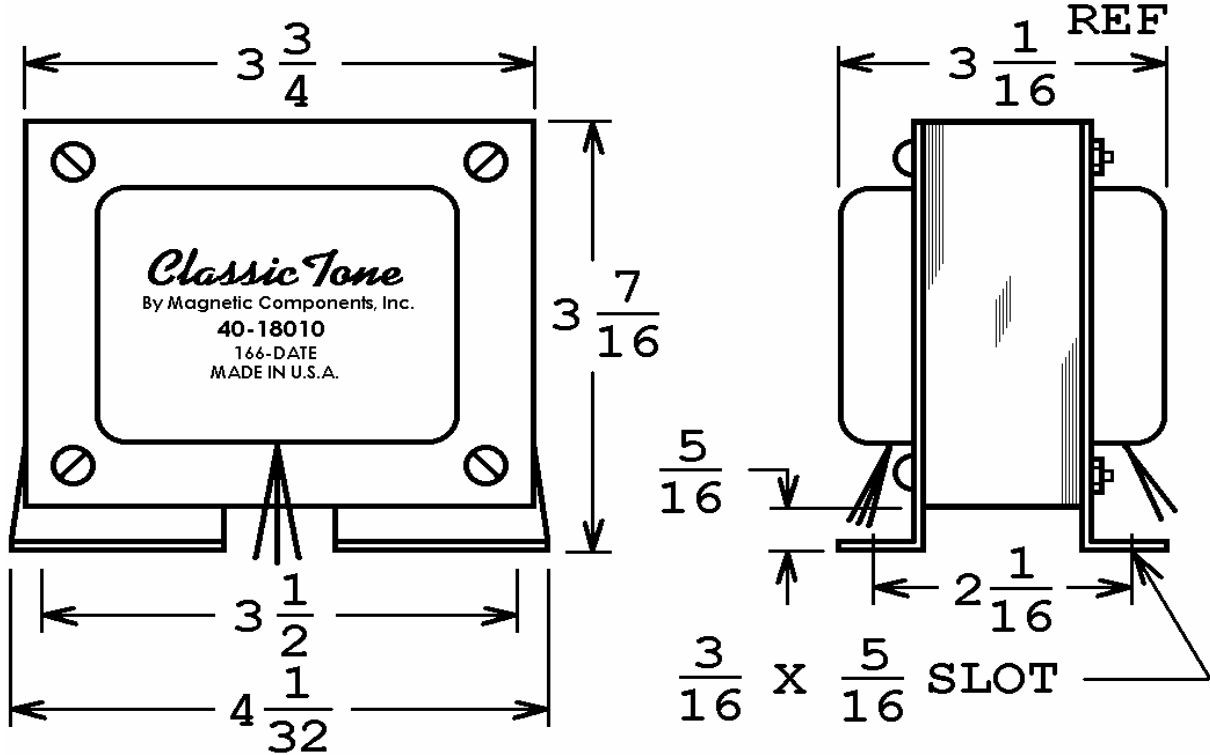


40-18010

This drawing is the property of Magnetic Components, Inc. and shall not be reproduced, in whole or in part, without the written permission of Magnetic Components, Inc.

LTR		DESCRIPTION	DATE	APPROVED
A		WAS 60W	09/13/11	M. Sacketti



UNLESS OTHERWISE SPECIFIED ALL DIMENSIONS IN INCHES DO NOT SCALE DRAWING FRACTIONS +/- .X = +/- .XX = +/- .XXX = +/- ANGLES = +/-	SIGNATURES		DATE	MAGNETIC COMPONENTS, INC.	DIV :	
	DRAWN : <i>M. Sacketti</i>		26 AUG 09	TITLE	LOC : SCHILLER PK	
	CHECK :			50/60W OUTPUT		
	APPR : <i>M. Sacketti</i>		26 AUG 09	CAGE	SIZE	PART No.
			SCALE	A	40-18010	A
				SHEET :		