

6

5

4

3

2

1

E

E

D

D

C

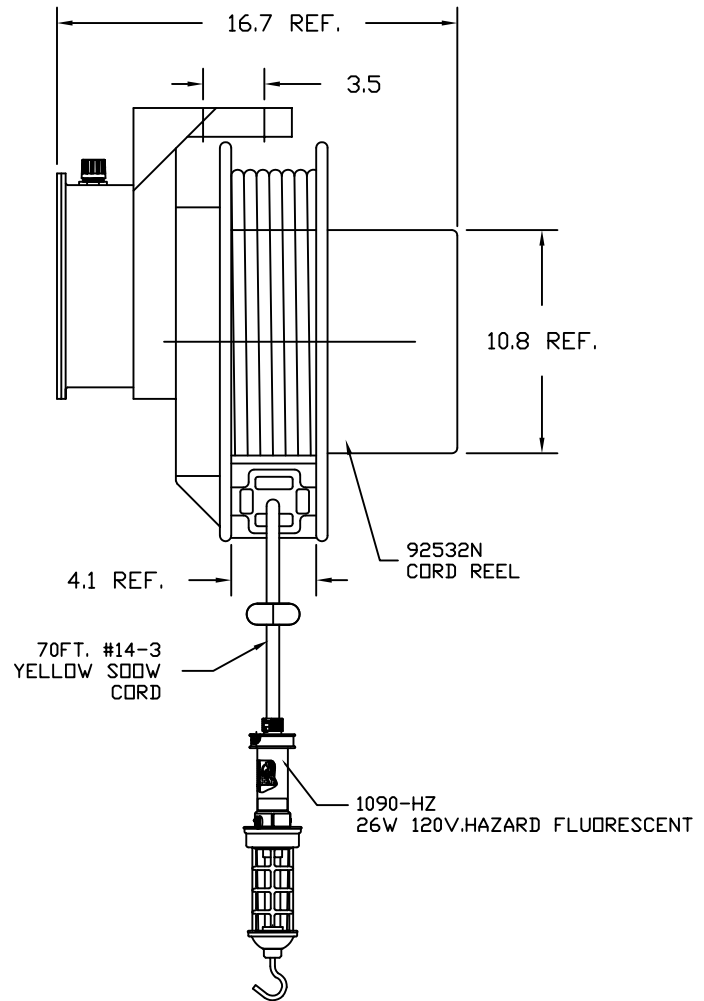
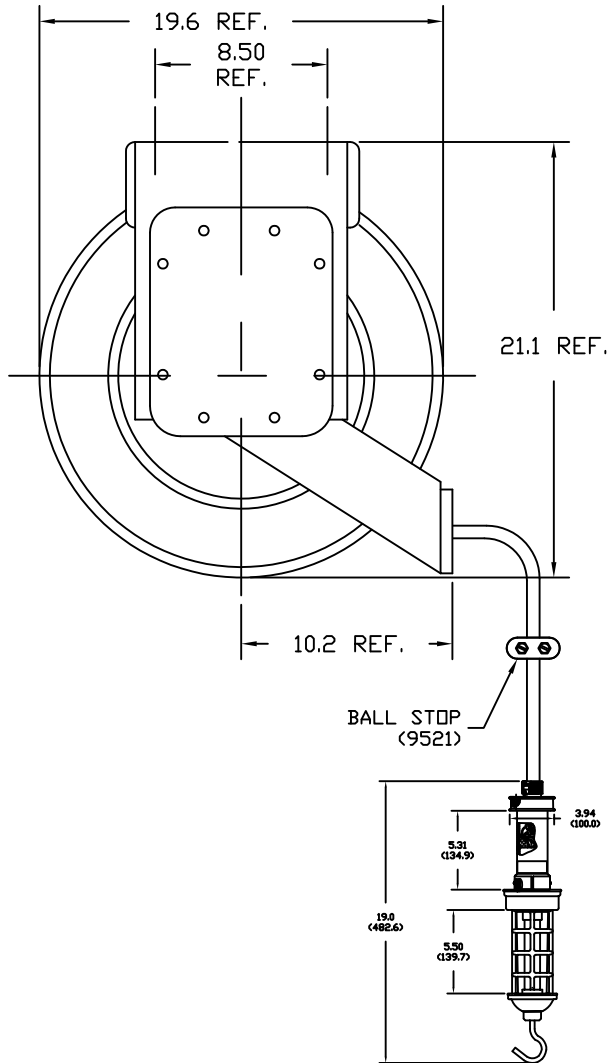
C

B

B

A

A



CUSTOMER DRAWING EC NO: WNA2010-0408 DRWN: TVICKERS CHKD: HK APPR: DTITUS 2010/01/11	QUALITY SYMBOLS ▽=0 ∇=0	GENERAL TOLERANCES (UNLESS SPECIFIED)		DIMENSION STYLE IN/MM		SCALE NTS	DESIGN UNITS INCH	THIRD ANGLE PROJECTION		
			mm	INCH	DRAWN BY TV	DATE 2009/07/01	TITLE 92532N W/70' #14/3 & 1090-HZ			
		4 PLACES	±---	±---	CHECKED BY HK	DATE 2009/07/01	MOLEX INCORPORATED DOCUMENT NO. SD-130084-004 SHEET NO. 1 OF 1			
		3 PLACES	±---	±.005	APPROVED BY DTITUS	DATE 2010/01/11				
2 PLACES	±---	±.010	MATERIAL NO. 1300840354							
1 PLACE	±---	±.020	ANGULAR ±.5°							
DRAFT WHERE APPLICABLE MUST REMAIN WITHIN DIMENSIONS		THIS DRAWING CONTAINS INFORMATION THAT IS PROPRIETARY TO MOLEX INCORPORATED AND SHOULD NOT BE USED WITHOUT WRITTEN PERMISSION								

6

5

4

3

2

1