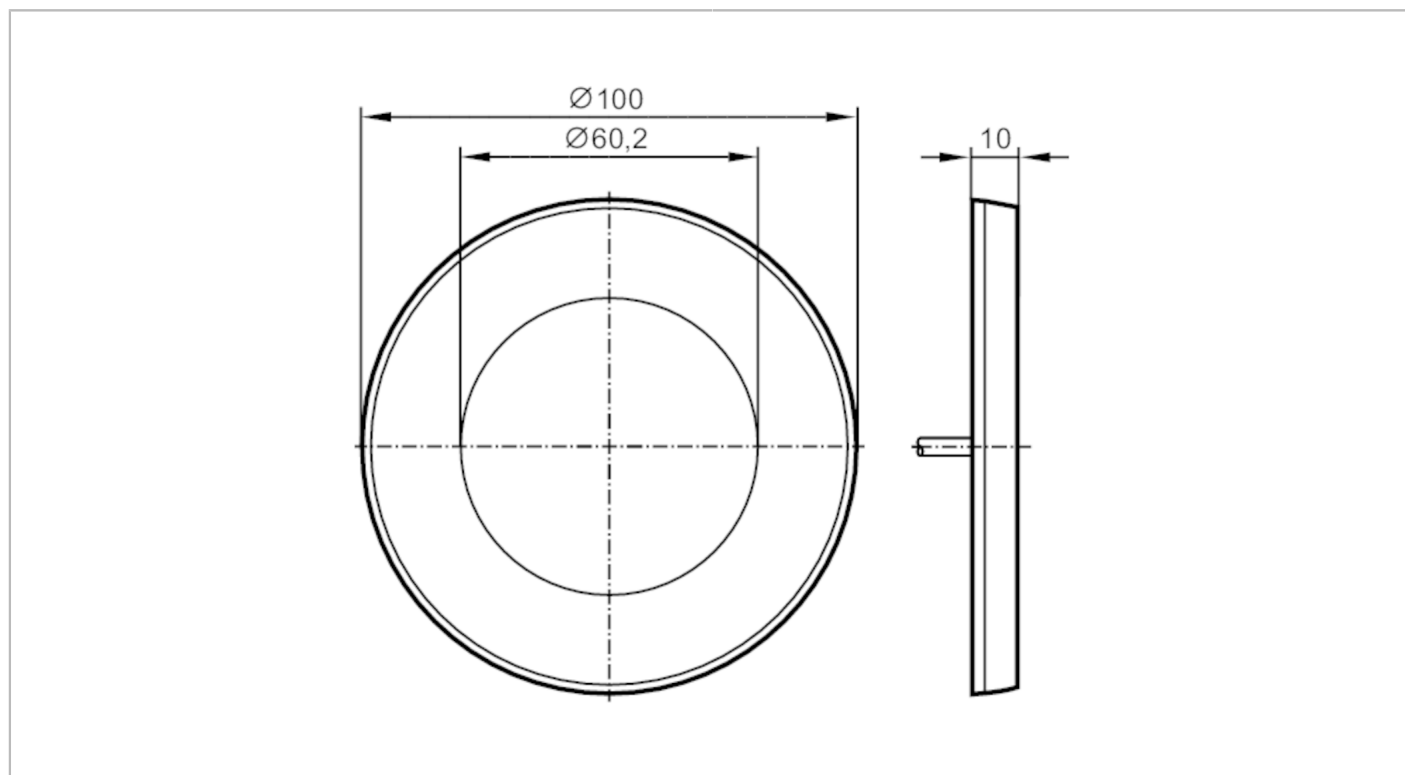


E80372



Coloured surround for touch sensors

YELLOW COVER RING FOR KT



| Application | |
|-----------------|--------------------------|
| Design | for type KT50 |
| Mechanical data | |
| Weight [g] | 31 |
| Dimensions [mm] | 100 x 10 x 100 |
| Materials | polycarbonate-ABS yellow |
| Remarks | |
| Pack quantity | 2 pcs. |