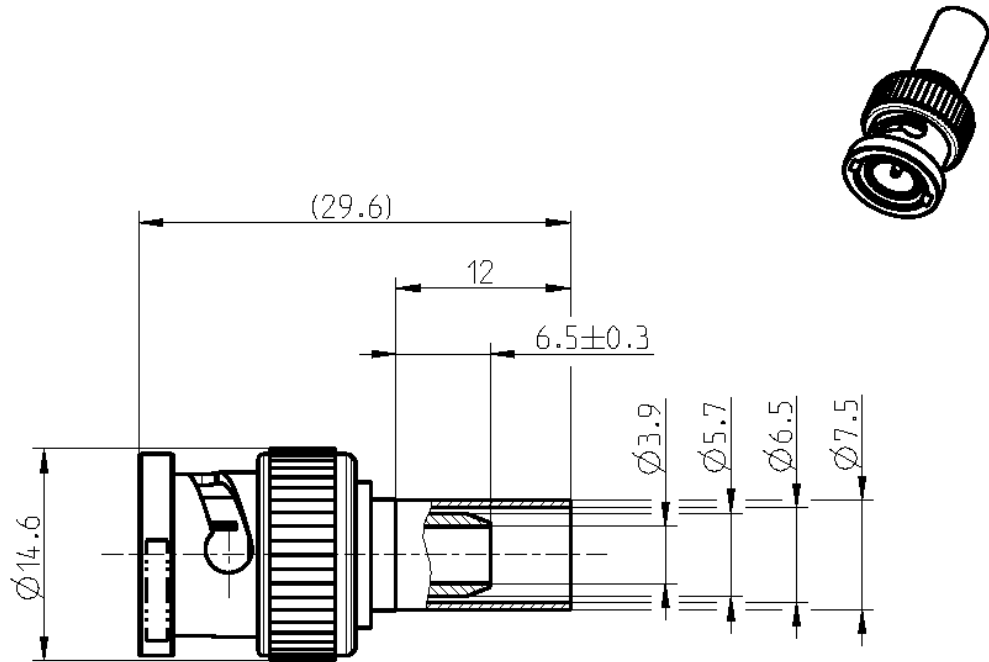


BNC 75 Ω

Straight Plug
For 93Ω Cable

71S102-110N5



All dimensions are in mm; tolerances according to ISO 2768 m-H

Interface

Compatible to IEC 61169-8, MIL-PRF-39012, CECC 22120

Documents

Assembly instruction 51 K4

Material and plating

Connector parts

- Center contact
- Outer contact
- Body
- Dielectric
- Gasket
- Crimping ferrule

Material

- Brass
- Brass
- Brass
- PTFE, POM
- NeopreneCR 50C6
- Copper

Plating

- AuroDur®, gold plated
- Flash white bronze over silver(e.g. Optargen®)
- Flash white bronze over silver(e.g. Optargen®)
- Flash white bronze over silver(e.g. Optargen®)

Dieses Dokument ist urheberrechtlich geschützt • This document is protected by copyright • Rosenberger Hochfrequenztechnik GmbH & Co. KG

RFB00035/12.20/6.4

Electrical data

Impedance	75 Ω
Frequency	DC to 4 GHz
Insulation resistance	≥ 5 x10 ³ MΩ
Center contact resistance	≤ 1.5 mΩ
Outer contact resistance	≤ 1 mΩ
Test voltage	1500 V rms
Working voltage	400 V rms
Power handling (at 20 °C, sea level, VSWR 1.0)	≤ 80 W @ 2 GHz

- Limitations are possible due to the used cable type -

Mechanical data

Mating cycles	≥ 500
Center contact captivation: axial	≥ 27 N

Environmental data

Temperature range	-65 °C to +165 °C
Thermal shock	MIL-STD-202, Method 107, Condition B
Corrosion resistance	MIL-STD-202, Method 101, Condition B
Vibration	MIL-STD-202, Method 204, Condition B
Shock	MIL-STD-202, Method 213, Condition G
Moisture resistance	MIL-STD-202, Method 106
RoHS	compliant

Tooling

Crimping tool	11W150-000
Crimp insert	11W150-209

Suitable cables

93 Ω cable: RG 62 A/U, RG 62 B/U

Weight

Weight	11 g/pce
--------	----------

While the information has been carefully compiled to the best of our knowledge, nothing is intended as representation or warranty on our part and no statement herein shall be construed as recommendation to infringe existing patents. In the effort to improve our products, we reserve the right to make changes judged to be necessary.

For the installation of the electrotechnical equipment, particular electrotechnical expertise is required.



Draft	Date	Approved	Date	Rev.	Engineering change number	Name	Date
Inge Mühlauer	03.08.04	Chr. Janßen	18.03.21	e00	20-1927	S. Huber-Siegl	18.03.21

Rosenberger Hochfrequenztechnik GmbH & Co. KG P.O.Box 1260 D-84526 Tittmoning Germany www.rosenberger.com				Tel. : +49 8684 18-0 Email : info@rosenberger.com		Page 2 / 2	
--	--	--	--	--	--	---------------	--