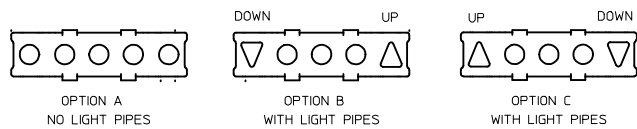


PART NUMBER	DESCRIPTION	LIGHT PIPE OPTIONS	GASKET
76870-0003	NO LIGHT PIPES	A = NONE	STANDARD
76870-0004	WITH LIGHT PIPES	B = DOWN / UP	STANDARD
76870-0005	WITH LIGHT PIPES	C = UP / DOWN	STANDARD
76870-0013	NO LIGHT PIPES	A = NONE	94V-0
76870-0014	WITH LIGHT PIPES	B = DOWN / UP	94V-0
76870-0015	WITH LIGHT PIPES	C = UP / DOWN	94V-0



NOTES:

1. MATERIAL:

CAGE: NICKEL SILVER, 0.25mm THICK
 EMI STRAPS: PHOS-BRONZE
 AIR-VENT/LIGHT PIPE HOUSINGS: DIECAST ALLOY
 LIGHT PIPES: POLYCARBONATE (OPTIONAL)
 CONNECTOR HOUSING: HIGH TEMPERATURE THERMOPLASTIC
 TERMINALS: COPPER ALLOY
 EMI GASKETS -CONDUCTIVE POLYMER HB/94V-0 SEE OPTIONS

2. FINISH:

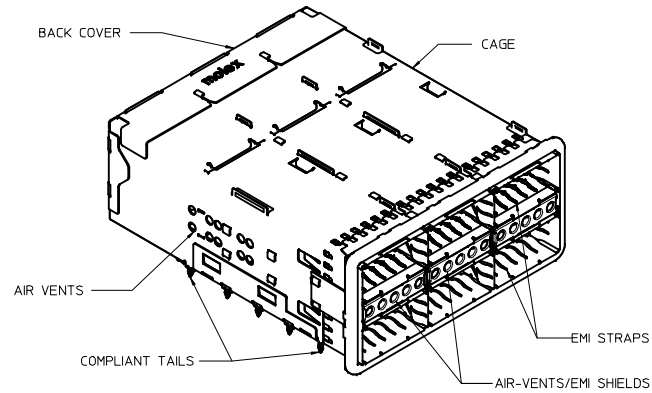
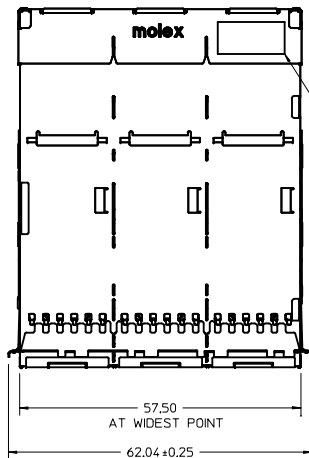
CAGE: UNPLATED
 EMI STRAPS: 2.5µm NICKEL OVERALL
 AIR-VENT/LIGHT PIPE HOUSINGS: NICKEL OVER COPPER
 TERMINALS: CONTACT AREA:
 0.76-1.52 µm MIN. GOLD OVER 2.5 µm MIN. NICKEL.
 COMPLIANT TAIL:
 0.7-1.5µm MIN. MATTE TIN OVER 1.3µm NICKEL.

3. PACKAGING: PRODUCT PACKAGED IN TRAYS AND CARTONS

4. ALL VISIBLE EXTERIOR SURFACES TO BE CLASS 'B' OR BETTER, EXCEPT FOR THE UNDERSIDE OF THE CAGE AND SHOULD CONFORM TO THE MOLEX COSMETIC STANDARD ES-171233-0001.

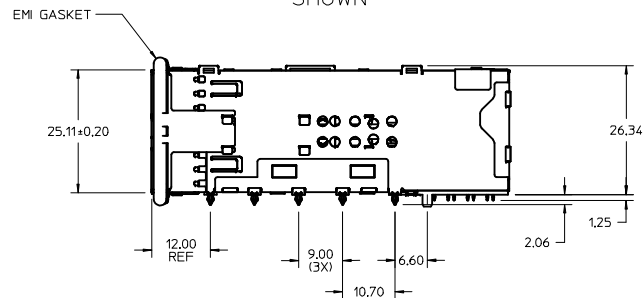
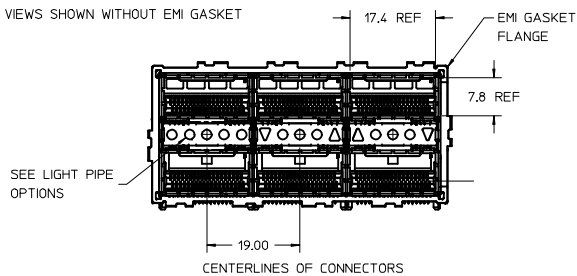
5. CONNECTOR MATES WITH PLUG CABLE SERIES 74757 AND 74758

6. DATE CODE LOCATION IS SHOWN.
 DATE CODE FORMAT: DDDY
 DDD= DAY OF THE YEAR
 Y= YEAR

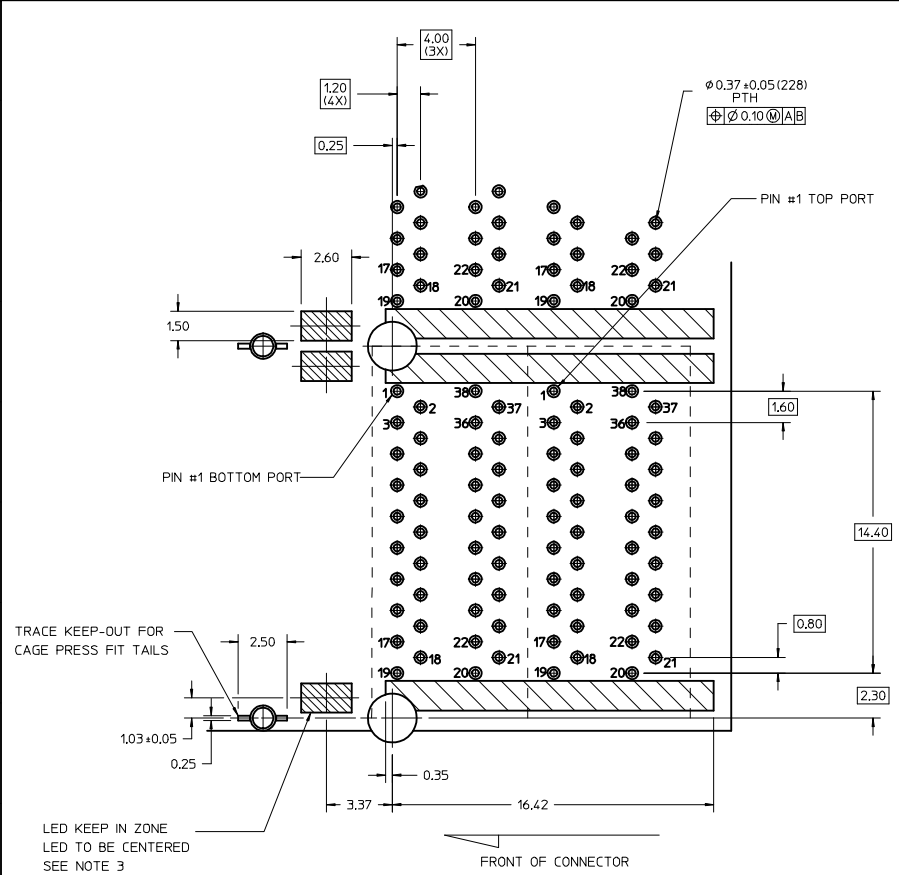


PART NUMBER
76870-0001-0003
SHOWN

VIEWS SHOWN WITHOUT EMI GASKET



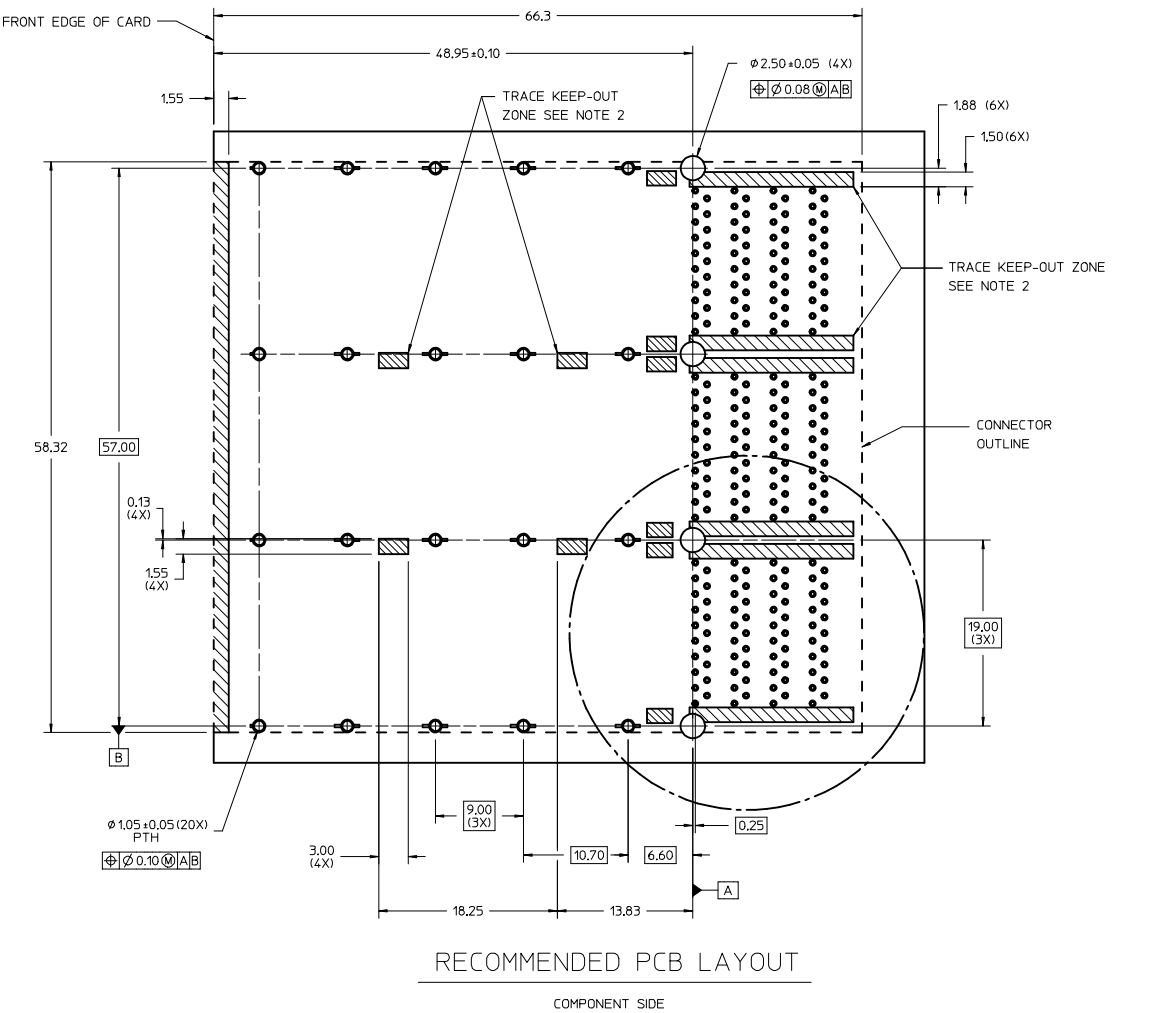
ADDED 94V-0 GASKET PMS IEC NO. UCF2014-5082 DRAWN BY: CHYD APPR: MBANKIS 2014/06/05	QUALITY SYMBOLS	GENERAL TOLERANCES (UNLESS SPECIFIED)	DIMENSION STYLE	SCALE	DESIGN UNITS	THIRD ANGLE PROJECTION
	$\nabla=0$ $\nabla=0$	mm INCH	MM ONLY	2:1	METRIC	
	4 PLACES ± --- ± --- 3 PLACES ± --- ± --- 2 PLACES ± 0.13 ± --- 1 PLACE ± 0.25 ± --- ANGULAR ±1/2°	DRAWN BY: SBOGIEL DATE: 01/22/2009 CHECKED BY: KREGNIER DATE: 01/23/2009 APPROVED BY: MBANKIS DATE: 01/26/2009	MATERIAL NO. SEE CHART	TITLE ASSEMBLY, QSFP PLUS STACKED 2 X 3 WITH ELASTOMER GASKET	MOLEX INCORPORATED	SHEET NO. 1 OF 3
	DRAFT WHERE APPLICABLE MUST REMAIN WITHIN DIMENSIONS	DOCUMENT NO. SD-76870-001	THIS DRAWING CONTAINS INFORMATION THAT IS PROPRIETARY TO MOLEX INCORPORATED AND SHOULD NOT BE USED WITHOUT WRITTEN PERMISSION			



DETAIL 1
PCB PORT LAYOUT
(COMPONENT SIDE)

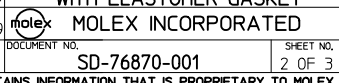
NOTES:

1. DASHED LINES INDICATE THE CONNECTOR OUTLINE, THIS AREA IS A COMPONENT KEEP-OUT ZONE.
2. CROSS HATCHED AREAS DENOTE CRITICAL POINTS WHERE CAGE OR CONNECTOR HOUSINGS CAN CONTACT THE BOARD, THESE AREAS ARE TRACE KEEP-OUT ZONES.
3. LED KEEP-IN ZONE DEFINES THE PHYSICAL SPACE ALLOWED FOR PLACEMENT OF SMD CHIP STYLE LED PACKAGES, KEEP-IN ZONE EXTENDS VERTICALLY TO 0,8mm ABOVE THE TOP SIDE OF BOARD.

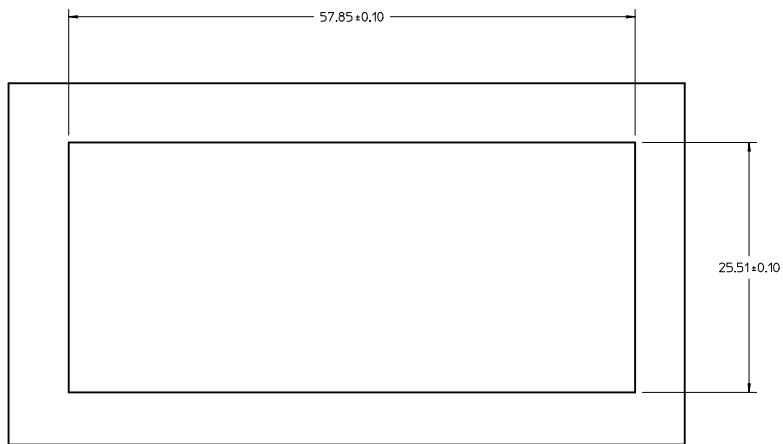


RECOMMENDED PCB LAYOUT
COMPONENT SIDE

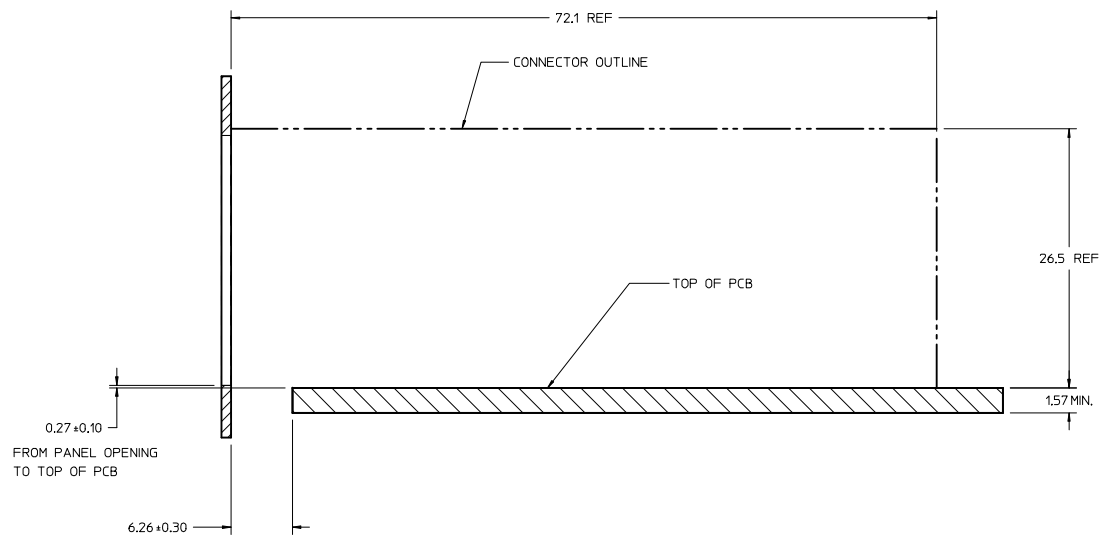
<p>SEE SHEET 1 EC NO: UCP2014-5082 DRAWN BY: CHYD CHKD: APPR: MBANKIS REV: DESCRIPTION: 2014/06/05</p>	QUALITY SYMBOLS	GENERAL TOLERANCES (UNLESS SPECIFIED)	DIMENSION STYLE	SCALE	DESIGN UNITS	THIRD ANGLE PROJECTION
	▽=0	mm INCH	MM ONLY	2:1	METRIC	☉
	▽=0	4 PLACES ± --- ± ---	DRAWN BY: SBG IEL DATE: 01/22/2009	TITLE: ASSEMBLY, QSFP PLUS STACKED 2 X 3 WITH ELASTOMER GASKET		
	▽=0	3 PLACES ± --- ± --- 2 PLACES ± 0.13 ± --- 1 PLACE ± 0.25 ± --- ANGULAR ± 1/2°	CHECKED BY: KREGNIER DATE: 01/23/2009	APPROVED BY: MBANKIS DATE: 01/26/2009		
DRAFT WHERE APPLICABLE MUST REMAIN WITHIN DIMENSIONS		MATERIAL NO.	DOCUMENT NO.		SHEET NO.	
		SEE SHEET 1	SD-76870-001		2 OF 3	
THIS DRAWING CONTAINS INFORMATION THAT IS PROPRIETARY TO MOLEX INCORPORATED AND SHOULD NOT BE USED WITHOUT WRITTEN PERMISSION						



20 19 18 17 16 15 14 13 12 11 10 9 8 7 6 5 4 3 2 1



RECOMMENDED PANEL CUT-OUT



SEE SHEET 1 IEC NO: UCP2014-5082 DRAWN BY: CHYK APPR: MBANKIS 2014/06/05	QUALITY SYMBOLS ▽=0 ▽=0	GENERAL TOLERANCES (UNLESS SPECIFIED) <table border="1"> <thead> <tr> <th></th> <th>mm</th> <th>INCH</th> </tr> </thead> <tbody> <tr> <td>4 PLACES</td> <td>± 0.13</td> <td>± 0.005</td> </tr> <tr> <td>3 PLACES</td> <td>± 0.25</td> <td>± 0.010</td> </tr> <tr> <td>2 PLACES</td> <td>± 0.50</td> <td>± 0.020</td> </tr> <tr> <td>1 PLACE</td> <td>± 1.25</td> <td>± 0.050</td> </tr> </tbody> </table>		mm	INCH	4 PLACES	± 0.13	± 0.005	3 PLACES	± 0.25	± 0.010	2 PLACES	± 0.50	± 0.020	1 PLACE	± 1.25	± 0.050	DIMENSION STYLE MM ONLY	SCALE 4:1	DESIGN UNITS METRIC	THIRD ANGLE PROJECTION
		mm	INCH																		
4 PLACES	± 0.13	± 0.005																			
3 PLACES	± 0.25	± 0.010																			
2 PLACES	± 0.50	± 0.020																			
1 PLACE	± 1.25	± 0.050																			
DRAFT WHERE APPLICABLE MUST REMAIN WITHIN DIMENSIONS	DRAWN BY: SBOGIEL CHECKED BY: KREGNIER APPROVED BY: MBANKIS DATE: 01/22/2009 DATE: 01/23/2009 DATE: 01/26/2009	TITLE ASSEMBLY, QSFP PLUS STACKED 2 X 3 WITH ELASTOMER GASKET	MATERIAL NO. SEE SHEET 1	DOCUMENT NO. SD-76870-001	SHEET NO. 3 OF 3	MOLEX INCORPORATED															

19 18 17 16 15 14 13 12 11 10 9 8 7 6 5 4 3 2 1