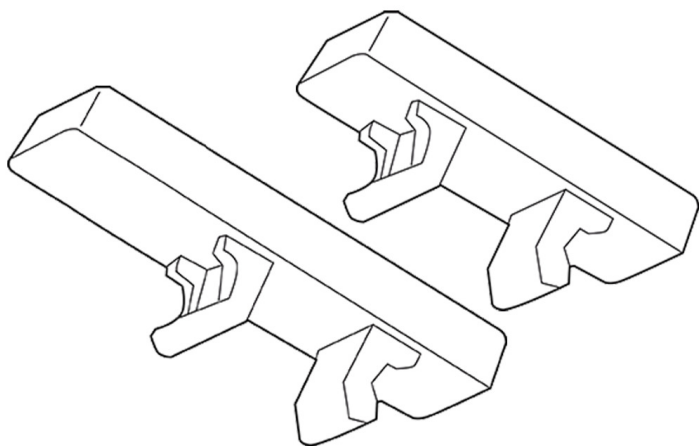


28241.8 PC-CPM-01 E 8X10/32 YE



Terminal marker, Length: 10 mm, Width: 8 mm, Colour: Yellow

RAL: 1026

Business data

Article number	<u>28241.8</u>
Article name	PC-CPM-01 E 8X10/32 YE
GTIN (EAN)	4044211211622
For manufacturer type	Weidmüller, ABB, Wago, Allen-Bradley, Klemsan, Morsettitalia, Woertz, Connectwell
Packaging unit	1120
Quantity unit	PC
Number of markers per card	32 ST
Weight per piece (not including packaging)	0.4 g
Weight per piece (including packaging)	0.44 g
Unit of weight	G
Customs number	39269097
Country of origin	IT
Prio-Article	28241.7
Product description	Terminal marker

28241.8 PC-CPM-01 E 8X10/32 YE

Technical data

Dimensions

Length	10 mm
--------	-------

Width	8 mm
-------	------

Materials

Marker material	Polycarbonate
-----------------	---------------

Flammability class UL 94	V-0
--------------------------	-----

Working temperature, min.	-40 °C
---------------------------	--------

Working temperature, max.	130 °C
---------------------------	--------

Halogen-free	✓
--------------	---

Silicone-free	✓
---------------	---

Further technical data

Mounting	Individually
----------	--------------

Software code	18
---------------	----

Environmental Product Compliance

REACH Conform	yes
---------------	-----

REACH Candidate Substance Note	No
--------------------------------	----

RoHS Conform	yes
--------------	-----

Data sheet



28241.8 PC-CPM-01 E 8X10/32 YE

Media

28241.8 PC-CPM-01 E 8X10/32 YE

Accessories

Printer



Thermal transfer printer TTPCard including a power cord, USB cable, dust cover, black thermal transfer film (28010.4), three inlays: CCI-PC-SB 5x5 (28020.0), CCI-PC-CPM-10/BSTR (28027.0), CCI-PC/PVC/PVCF (28041.0), CONTASign PRO software in 16 languages (German, English, French, Italian, Dutch, Spanish, Portuguese, Czech, Polish, Bulgarian, Romanian, Slovenian, Turkish, Chinese, Japanese, Russian) for Windows versions 7, 8, 10. (available for download)

Article number	Article name	GTIN (EAN)	Packaging unit
<u>28000.0</u>	TTPCard Set	4044211207397	1 ST

Inlays

Printer inlay

Article number	Article name	GTIN (EAN)	Packaging unit
<u>28042.0</u>	CCI-PC-CPM/SPM	4044211208103	1 ST
