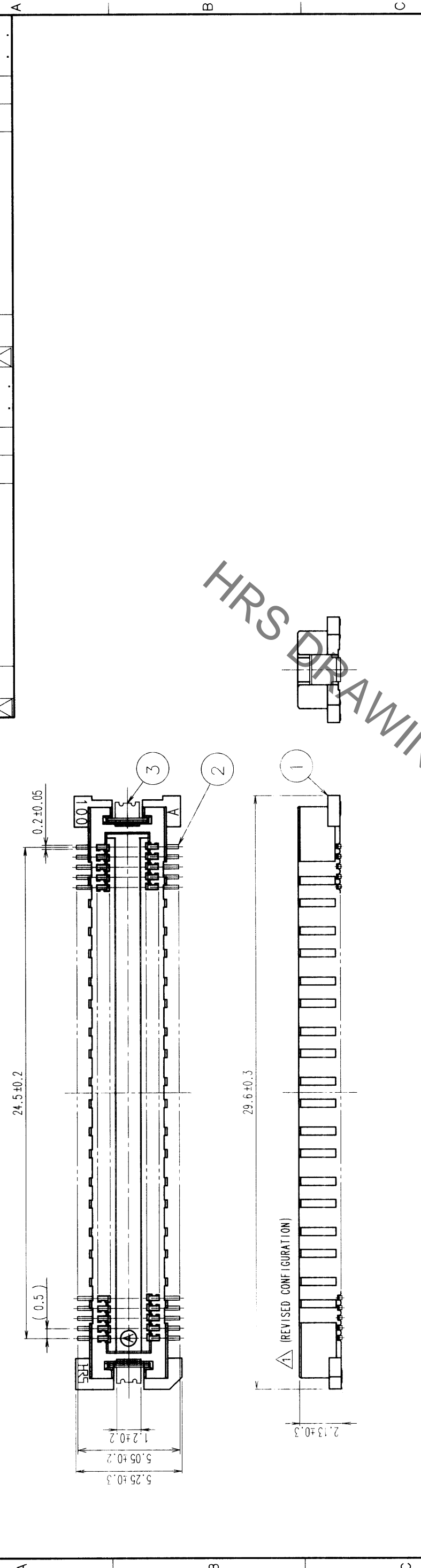
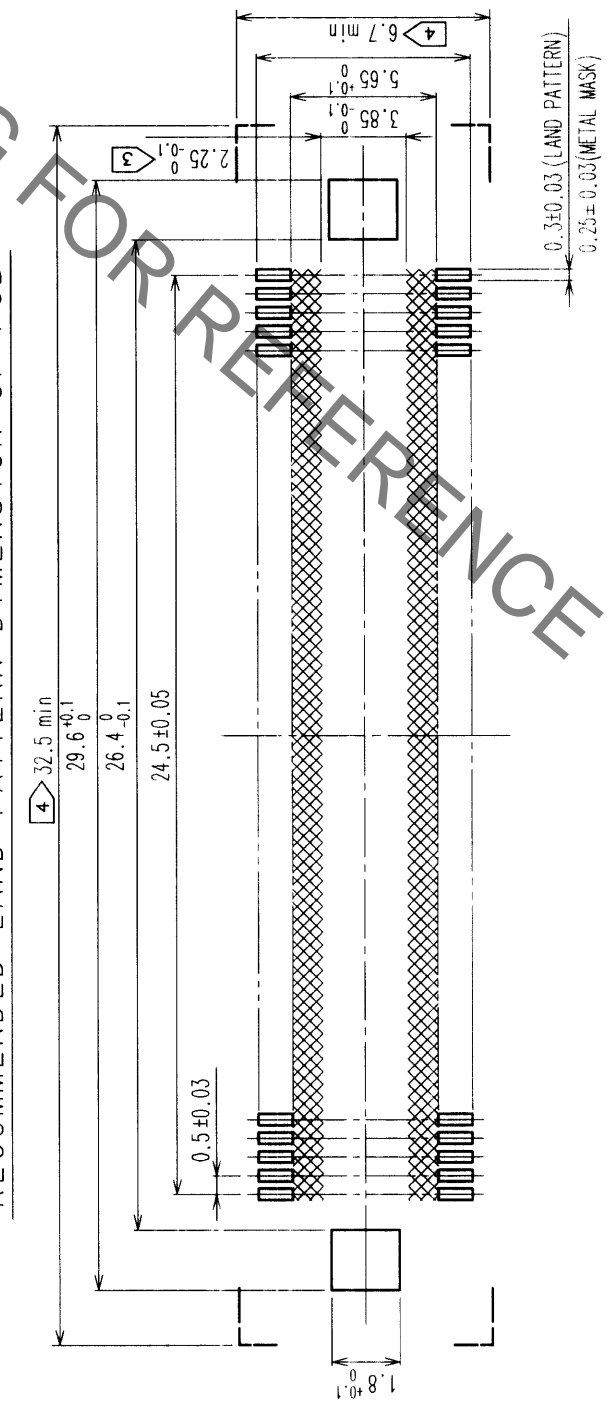


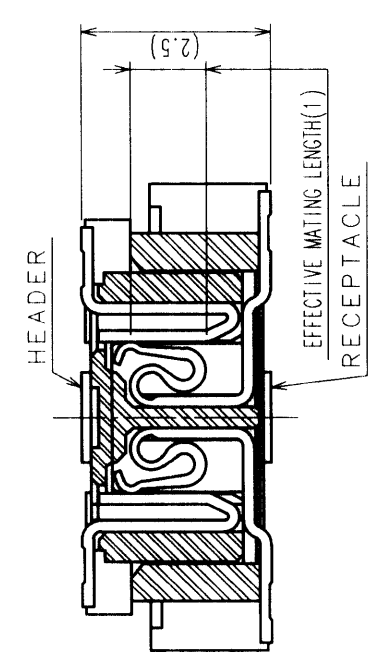
COUNT	DESCRIPTION OF REVISIONS	BY	CHKD	DATE	COUNT	DESCRIPTION OF REVISIONS	BY	CHKD	DATE
1	RE-F-06821	J.M.H.O		00.04.06					



RECOMMENDED LAND PATTERN DIMENSION OF PCB



SIGNAL PORTION CROSS SECTION (10:1)



HRS DRAWING FOR REFERENCE

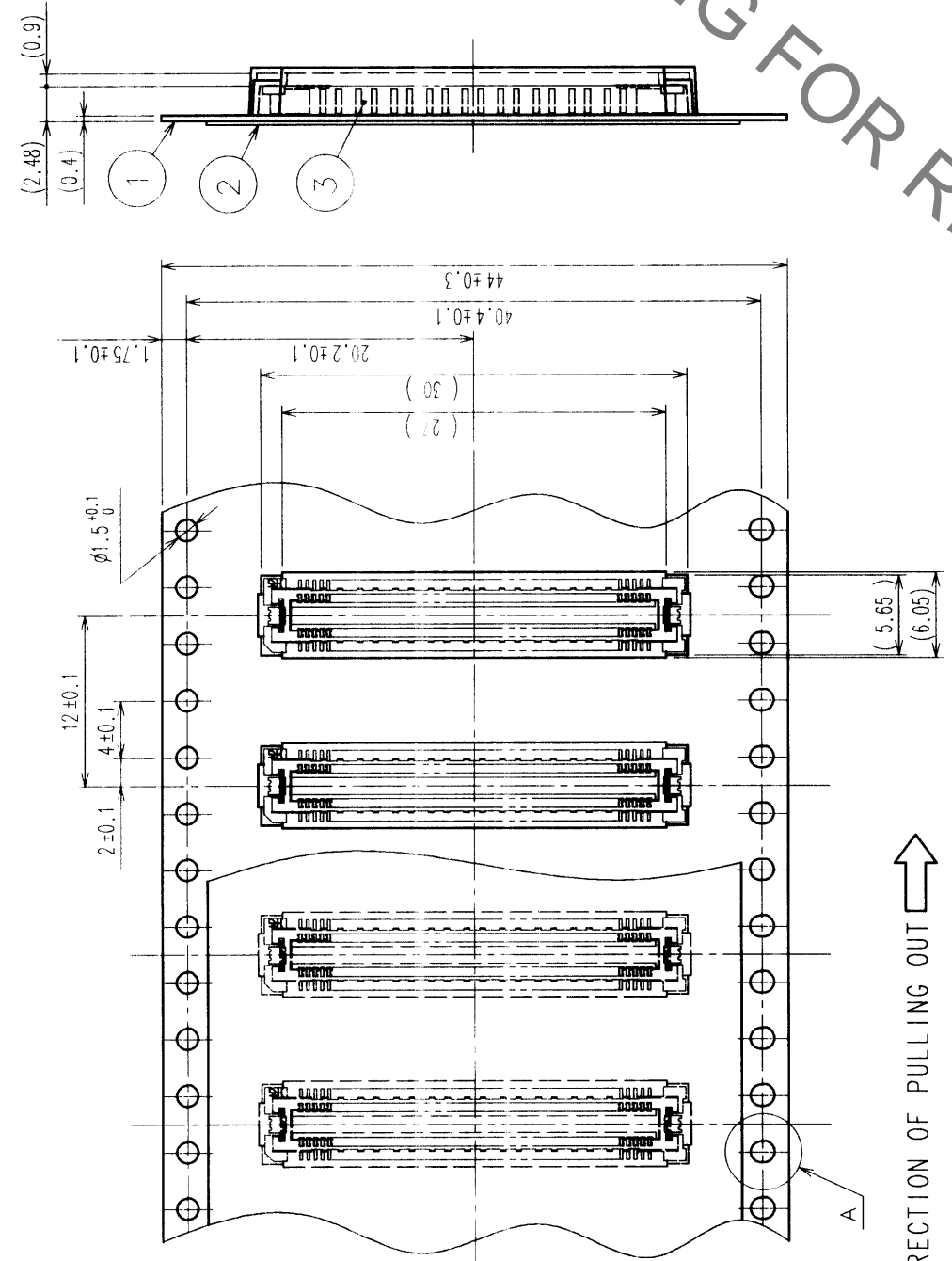
- NOTES
- SMT LEAD-COPLANARITY: 0.1 MAX.
 - THIS PRODUCT HAS NO POLARITY TO PATTERN FOR MOUNTING.
 - MAKE SURE WIDTH OF PATTERN IS WITHIN THAT OF LAND, OR LEAD MAY TOUCH PATTERN. (THIS APPLIES TO HATCHED AREA.)
 - DO NOT MOUNT OTHER DEVICES ONTO [] AREA, OR MATING PAIR CANNOT BE MATED.
 - TO BE EMBOSSED CARRIER TAPED AS SPECIFIED IN SHEET 2.

2	COPPER ALLOY	CONTACT AREA: GOLD (0.1μm) OVER NICKEL
1	LCP	LEAD: GOLD FLASH OVER NICKEL
3	PHOSPHOR BRONZE	TIN PLATED
NO.	MATERIAL	FINISH, REMARKS
CODE NO. (OLD)	CL	
DRAWN	DESIGNED	CHECKED
J.MATSUKAWA	J.MATSUKAWA	M.ISHIDA
00.01.15	00.01.15	00.01.17
00.01.17	00.01.17	00.01.17
DRAWING NO.		PART NO.
EDC3-152610-01		FX11B-100P-SV(21)
SCALE	5 : 1	CODE NO.
UNITS	mm	CL573-0553-0-21

TO	
PCK	

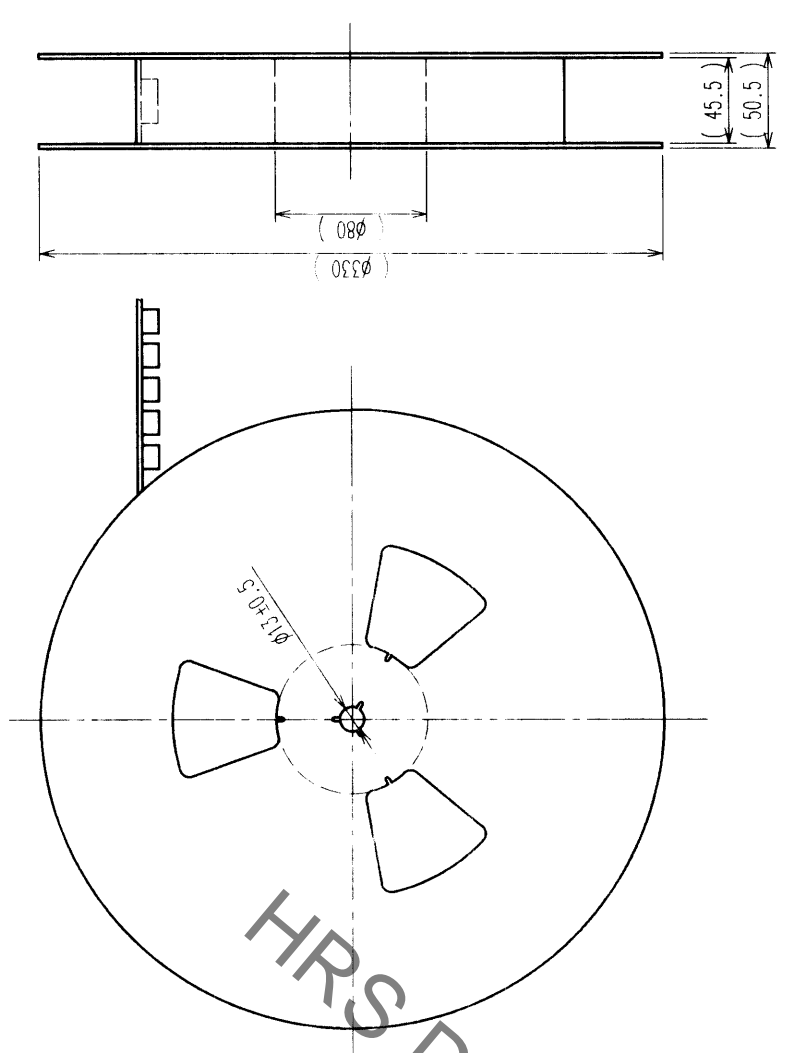
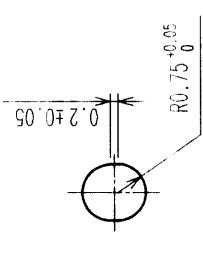
COUNT	DESCRIPTION OF REVISIONS	BY	CHKD	DATE	COUNT	DESCRIPTION OF REVISIONS	BY	CHKD	DATE
△					△				
△					△				
△					△				

REELED DIMENSION (FREE)



THE DIRECTION OF PULLING OUT →

A (5 : 1)



- NOTES
- 1 REEL: 1000 CONNECTORS.
 - 2 MINIMUM 10 COMPARTMENTS FROM BOTH REEL ENDS REMAIN EMPTY.
 - 3 THIS PRODUCT HAS NO POLARITY TO TAPE AND REEL PACKAGING.

2	PET	TOP COVER TAPE	3	(CONNECTOR)	FINISH, REMARKS	APPROVED	RELEASED
1	PS	EMBOSSED CARRIER TAPE	3			Y. YOSHIMURA	
NO.	MATERIAL	FINISH, REMARKS	NO.	MATERIAL	FINISH, REMARKS		
CODE NO. (OLD)	CL		DRAWN	DESIGNED	CHECKED	APPROVED	RELEASED
			J. MATSUKAWA	J. MATSUKAWA	M. ISHIDA	Y. YOSHIMURA	
			00 01 15	00 01 15	00 01 17	00 01 17	
DRAWING FOR PACKING		DRAWING NO.		PART NO.			
		EDC3-152610-01		FX11B-100P-SV(21)			
SCALE	2 : 1	HIROSE ELECTRIC CO., LTD		CODE NO.		CL573-0553-0-21	
UNITS	MM	HRS					

TO	
PCK	