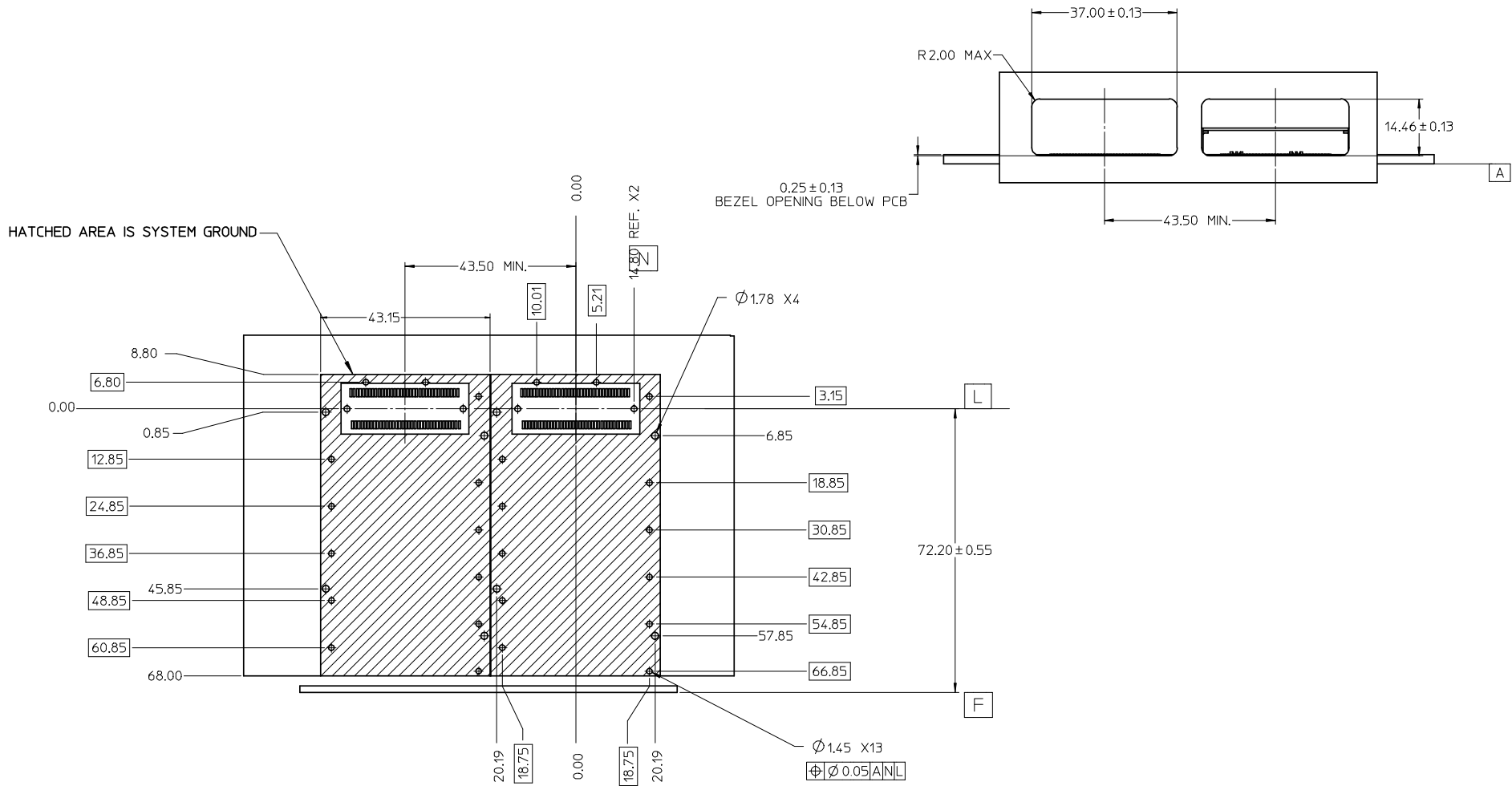


SECTION A-A

1. MATERIAL: NICKEL PLATED ZINC ALLOY
2. FOR USE WITH HASL. GOLD OR SILVER IMMERSION FINISHED PTH.
3. COSMETIC SPECIFICATION: MOLEX WI-HP-7-2774, CLASS B UNLESS NOTED OTHERWISE.
4. GUIDE PINS DESIGNED TO LIGHTLY PRESS INTO THE PCB BY HAND AND ASSIST WITH SCREW INSTALLATION. PIN STRAIGHTNESS IS NOT CRITICAL.
5. SCREW MATERIAL TO BE 18-8 STAINLESS STEEL OR HARDER.
6. MAX TORQUE 1.5 IN/LB.
7. THIS PRODUCT MEETS THE RESTRICTION OF HAZARDOUS SUBSTANCES IN ELECTRICAL AND ELECTRONIC EQUIPMENT (RoHS) DIRECTIVE (2002/95/EC).

ADDED NEW GASKET EC NO: USY2008-0292 DRAWN: COX CHKD: APPR: MONROE 2008/01/28 2008/02/04 2008/02/11	QUALITY SYMBOLS	GENERAL TOLERANCES (UNLESS SPECIFIED)	DIMENSION STYLE	SCALE	DESIGN UNITS	THIRD ANGLE PROJECTION
	▼=0 ▽=0	mm INCH 4 PLACES ± --- ± --- 3 PLACES ± --- ± --- 2 PLACES ± 0.10 ± --- 1 PLACE ± 0.25 ± --- ANGULAR ± 1/2°	MM ONLY	3:1	METRIC	DRAWN BY DATE C. COX 2006/03/29 CHECKED BY DATE K. LLOYD APPROVED BY DATE B. RUSSELL
	DRAFT WHERE APPLICABLE MUST REMAIN WITHIN DIMENSIONS	MATERIAL NO. 747440220	DOCUMENT NO. SD-74744-220	TITLE X2 GUIDE RAIL ASSEMBLY NO SIDE CLEARANCE		MOLEX MOLEX INCORPORATED
	SIZE D	THIS DRAWING CONTAINS INFORMATION THAT IS PROPRIETARY TO MOLEX INCORPORATED AND SHOULD NOT BE USED WITHOUT WRITTEN PERMISSION		SHEET NO. 1 OF 3		



- SEE DRAWING SD-74441-001 FOR HOST CONNECTOR LAYOUT DETAIL.
- PLATED HOLES CAN BE HASL, GOLD OR SILVER IMMERSION.
- PCB LAYOUT IS SHOWN FOR SINGLE SIDED MOUNTING.
BELLY TO BELLY MOUNTING REQUIRES ABOVE LAYOUT PLACED ON OPPOSITE SIDE OF THE PCB. THE SECONDARY BEZEL OPENING MUST ACCOMODATE THE PCB THICKNESS VARIATION.
- MINIMUM PCB THICKNESS FOR BELLY TO BELLY IS 5.0mm.
- LAYOUT SHOWN HAS PATTERN FOR TWO ADJACENT HOUSINGS LOCATED AT MINIMUM SPACING.

ADDED NEW GASKET EEC NO: USY2008-0292 DRAWN: COX CHKD: 2008/02/04 APPR: KRONDE 2008/02/11 REV:	QUALITY SYMBOLS ▽=0 ▽=0		GENERAL TOLERANCES (UNLESS SPECIFIED) mm INCH		DIMENSION STYLE MM ONLY		SCALE 3:1		DESIGN UNITS METRIC		THIRD ANGLE PROJECTION	
	4 PLACES	±	---	±	---	DRAWN BY	DATE	TITLE				
	3 PLACES	±	---	±	---	C. COX	2006/03/29	X2 GUIDE RAIL ASSEMBLY NO SIDE CLEARANCE				
	2 PLACES	±	0.10	±	---	CHECKED BY	DATE	MATERIAL NO.				
1 PLACE	±	0.25	±	---	K. LLOYD	DATE	DOCUMENT NO.					
ANGULAR		±1/2°		APPROVED BY		DATE		MOLEX INCORPORATED				
DRAFT WHERE APPLICABLE MUST REMAIN WITHIN DIMENSIONS		SIZE		747440220		SD-74744-220		SHEET NO. 2 OF 3				
THIS DRAWING CONTAINS INFORMATION THAT IS PROPRIETARY TO MOLEX INCORPORATED AND SHOULD NOT BE USED WITHOUT WRITTEN PERMISSION												

