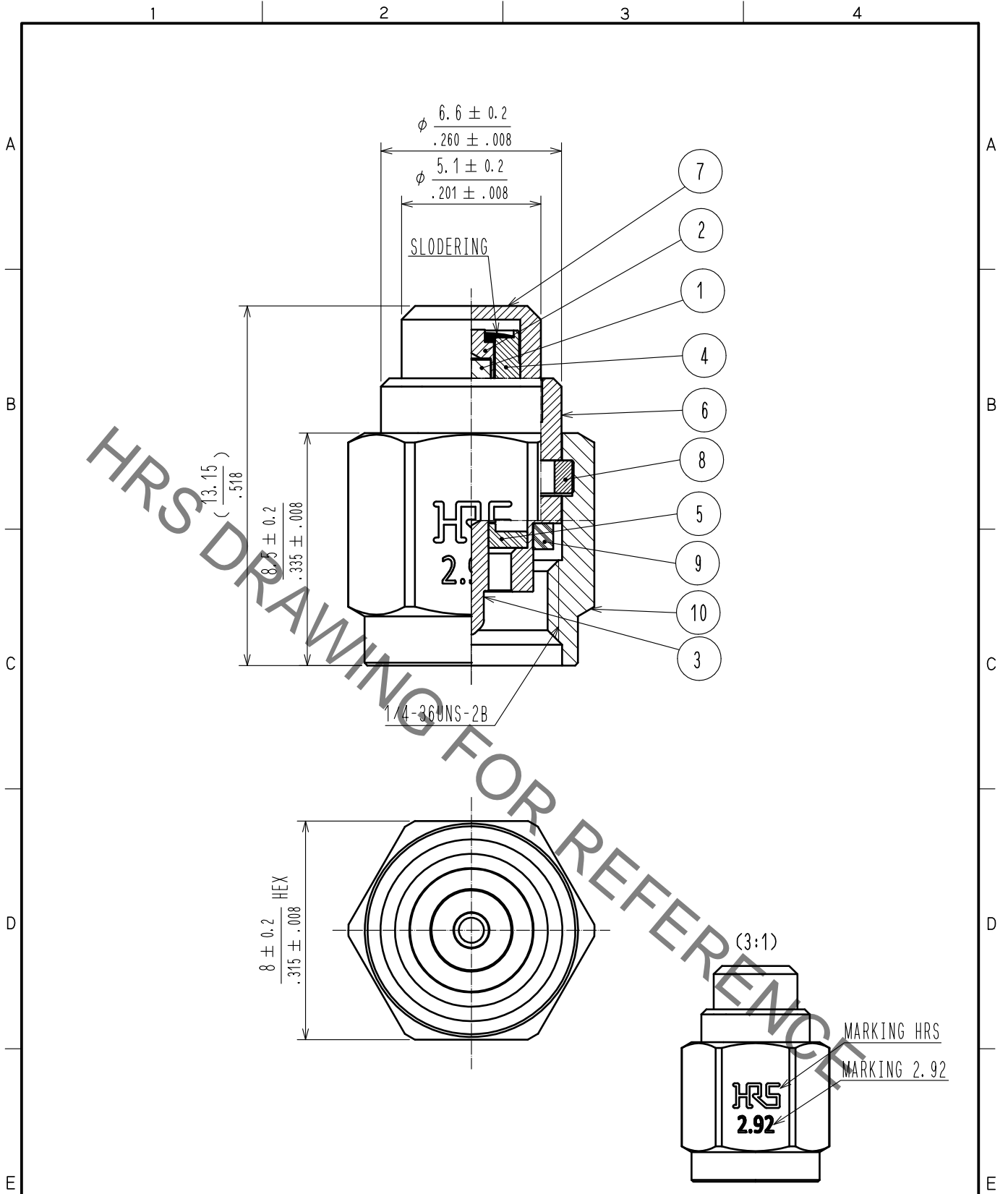


May.1.2023 Copyright 2023 HIROSE ELECTRIC CO., LTD. All Rights Reserved.
 In case of consideration for using Automotive equipment / device which demand high reliability, kindly contact our sales window correspondents.



5	PTFE		10	STAINLESS STEEL	PASSIVATE
4	BRASS	GOLD PLATING	9	SILICONE RUBBER	
3	BRASS	GOLD PLATING	8	BERYLLIUM COPPER	NICKEL PLATING
2	BRASS	GOLD PLATING	7	BRASS	NICKEL PLATING
1	RESISTANCE	50Ω	6	STAINLESS STEEL	PASSIVATE
NO.	MATERIAL	FINISH . REMARKS	NO.	MATERIAL	FINISH . REMARKS

UNITS $\frac{1}{1}$ mm / inch			SCALE 5 : 1	COUNT $\frac{1}{1}$	DESCRIPTION OF REVISIONS DIS-D-00006854	DESIGNED MS. MATSUMOTO	CHECKED AH. MARUYAMA	DATE 20210308
HIROSE ELECTRIC CO., LTD.			APPROVED : KH. IKEDA 20170804	DRAWING NO. EDC-374634-00-00				
			CHECKED : TS. NOBE 20170804	PART NO. HK-TMP				
			DESIGNED : AH. MARUYAMA 20170804	CODE NO. CL0353-0014-0-00				
			DRAWN : AH. MARUYAMA 20170804	1/1				